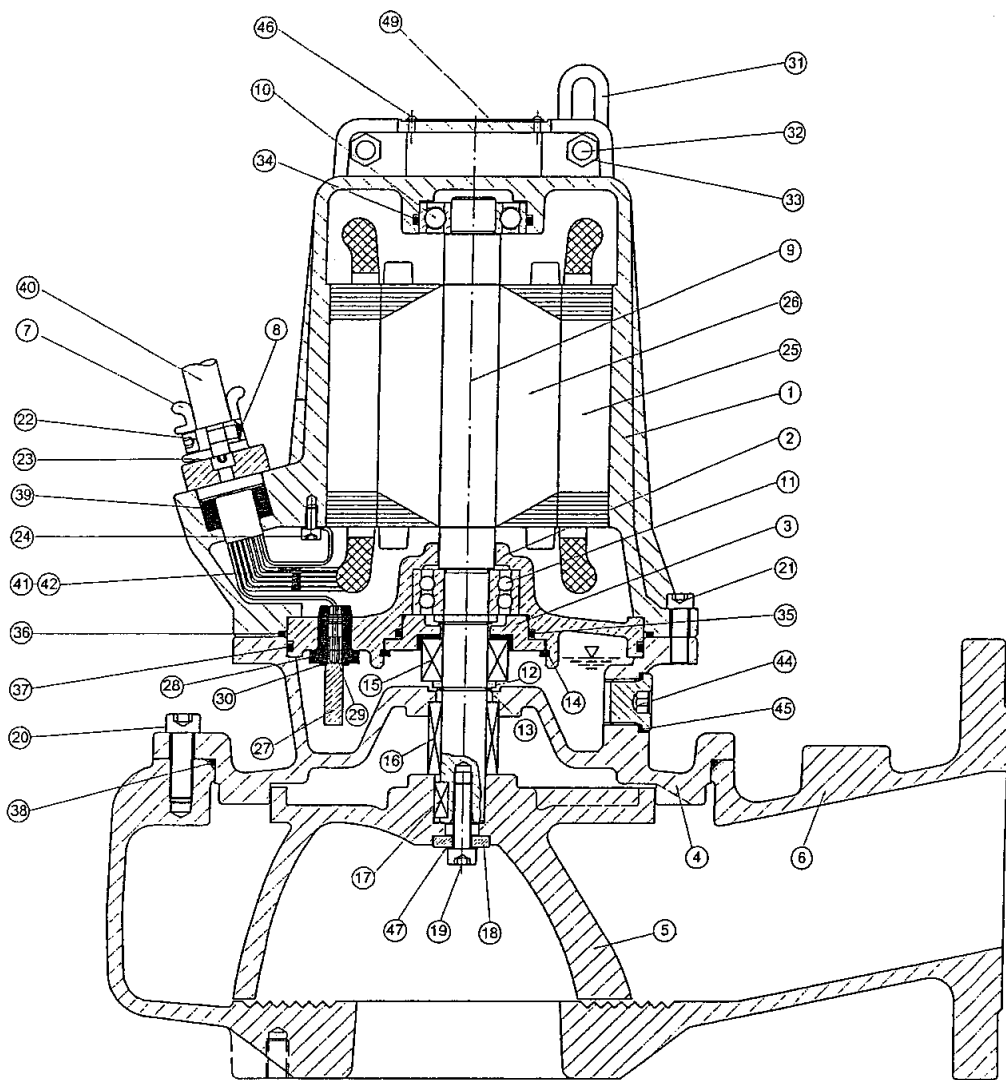
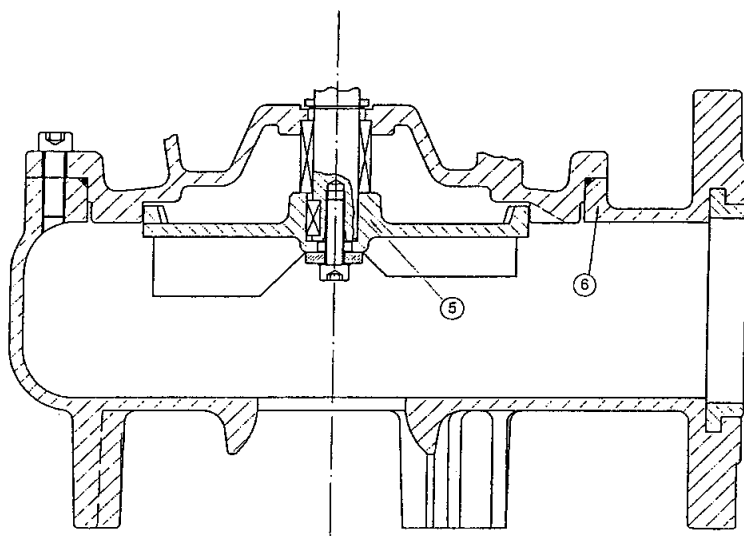


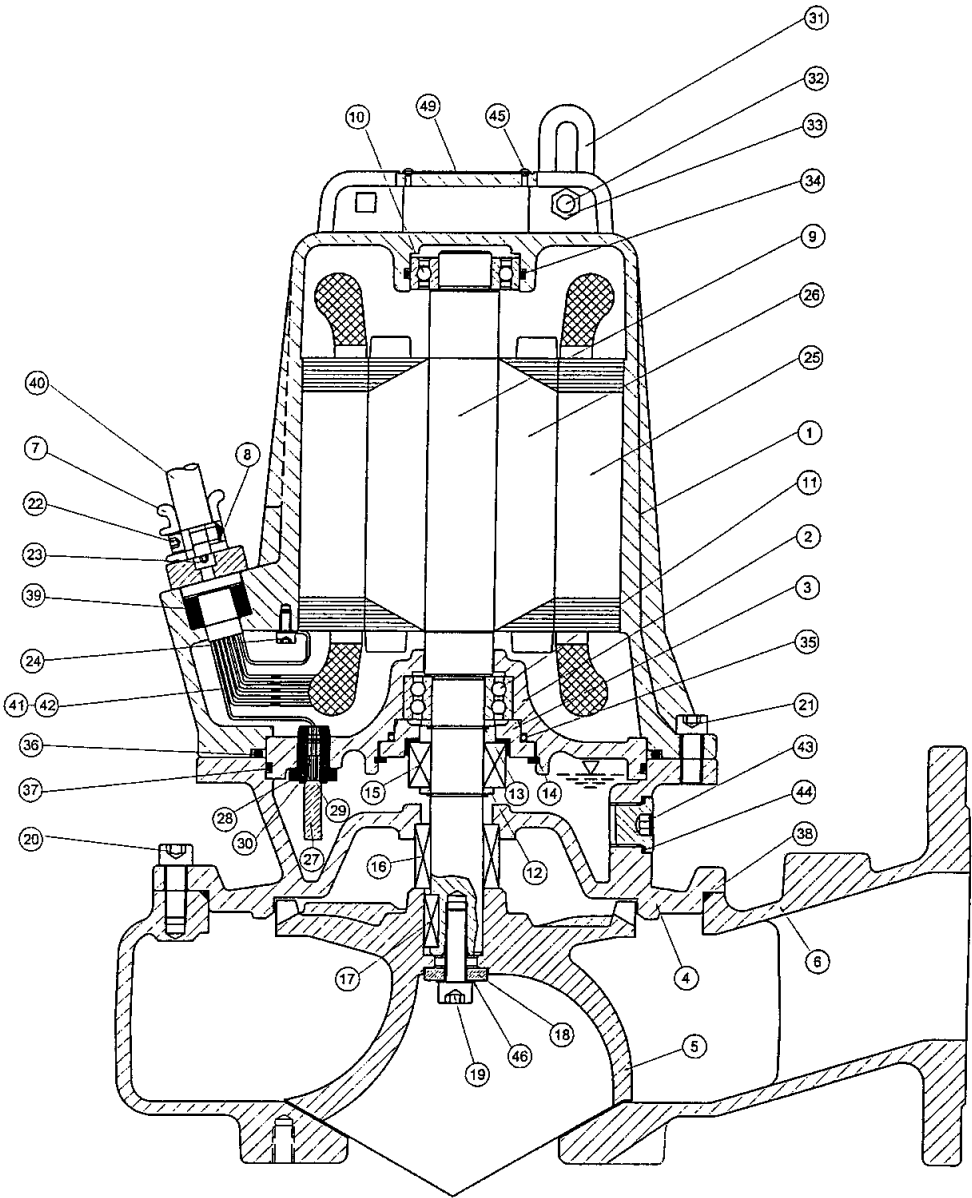
# M 80-4 C.241-242



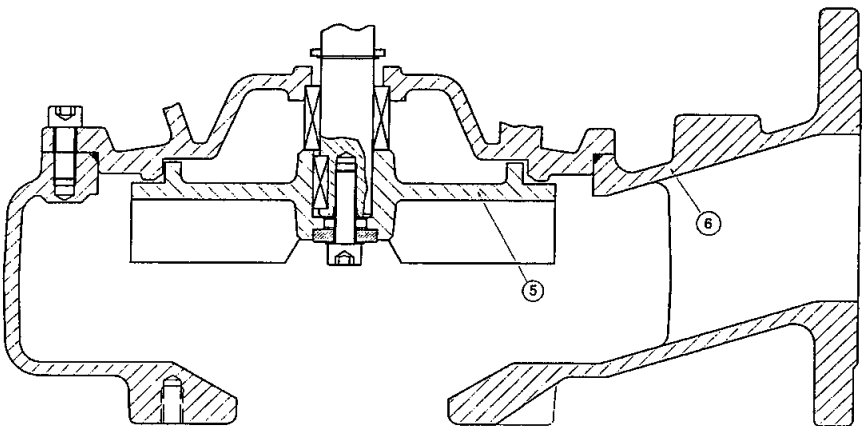
# VT 80-4 C.341-342



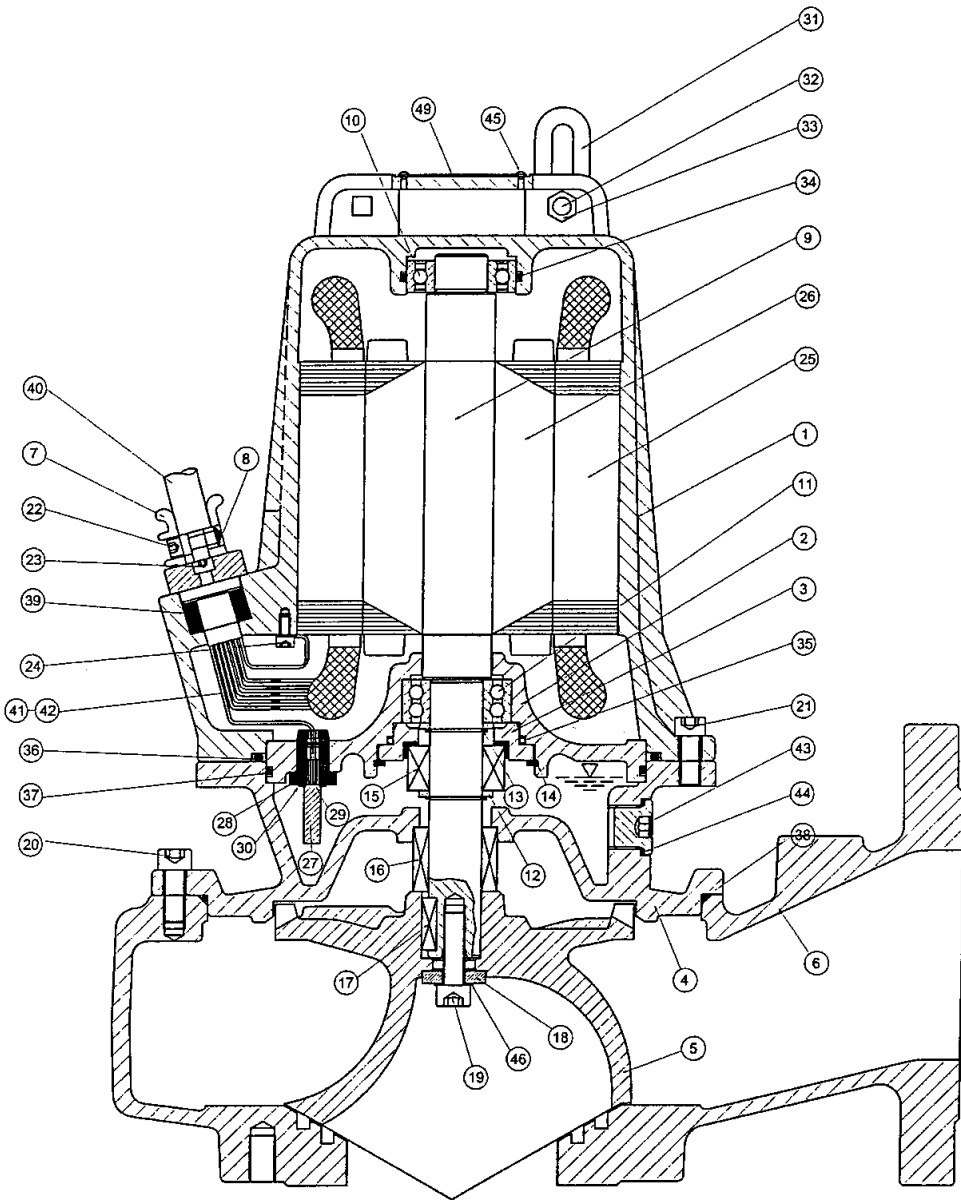
# M 80-4 C.243-244-245



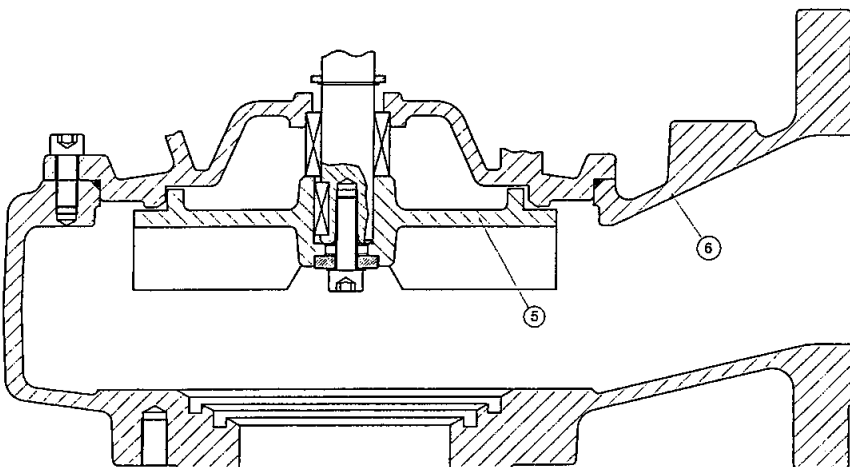
# VT 80/4 C.343-344-345



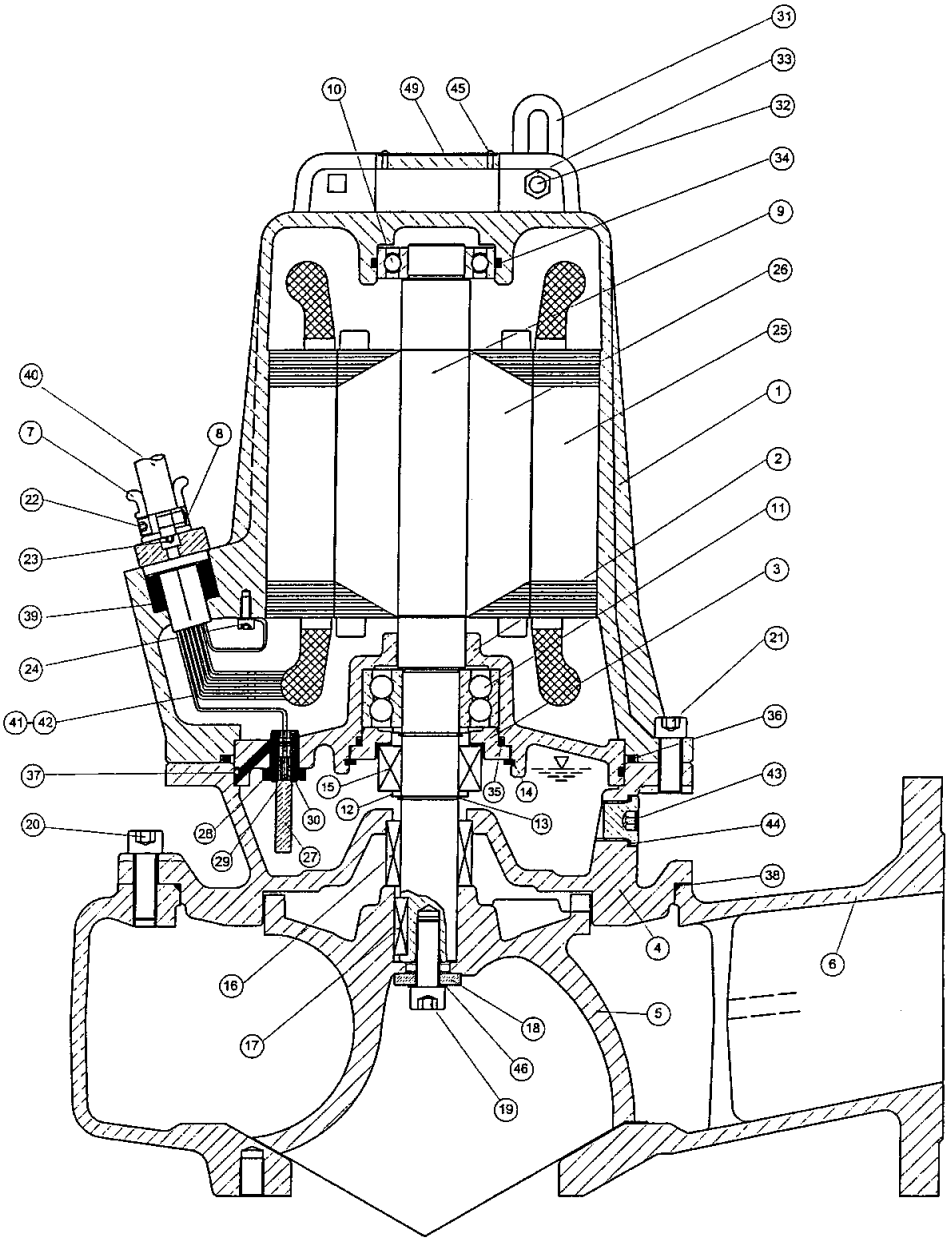
# M 100/4 C.243-244-245



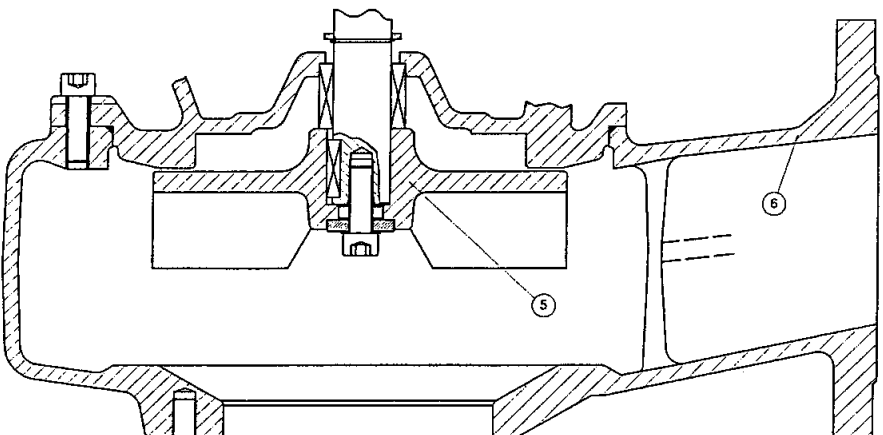
# VT 100/4 C.349-350



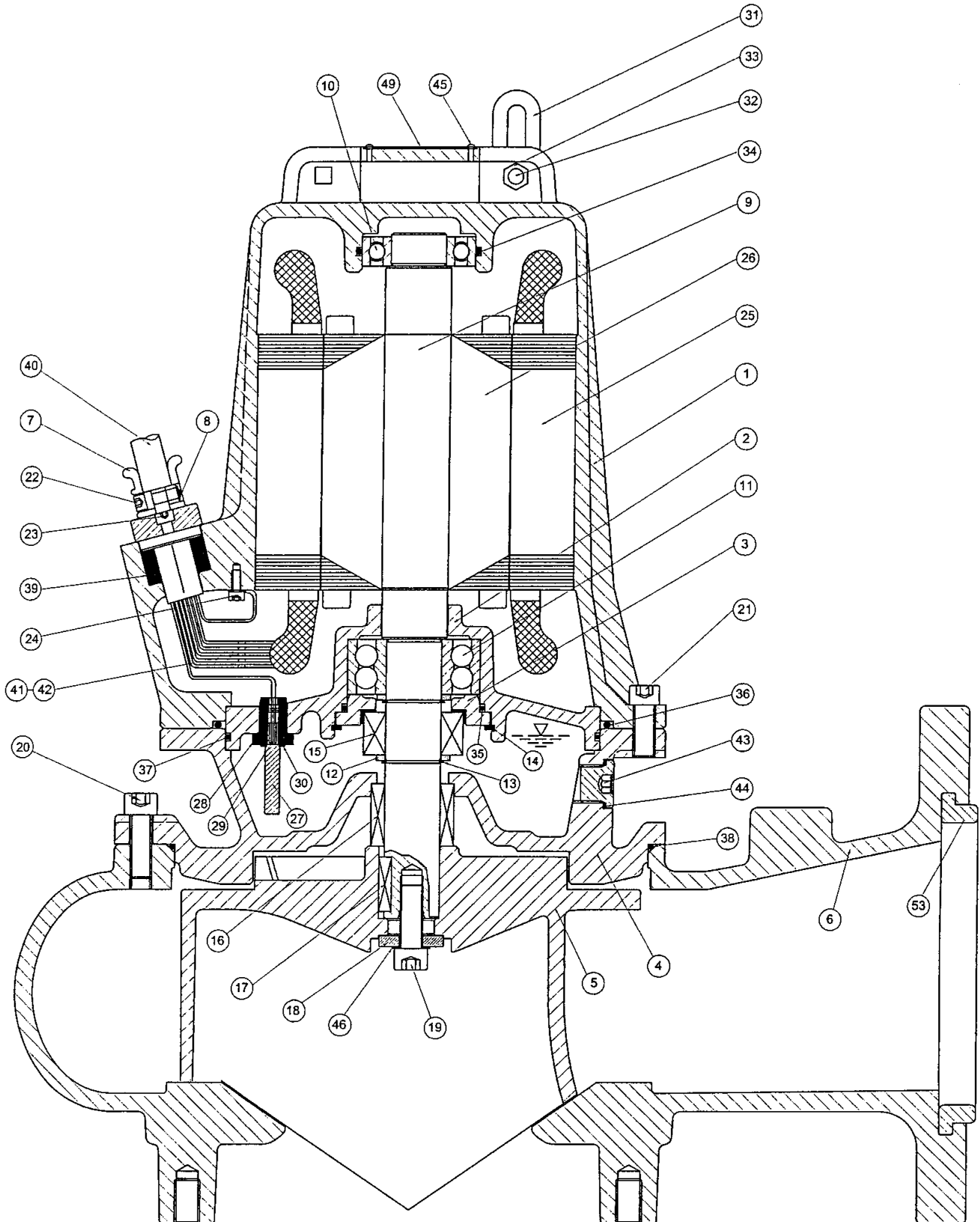
# M 100/4 C.255-256



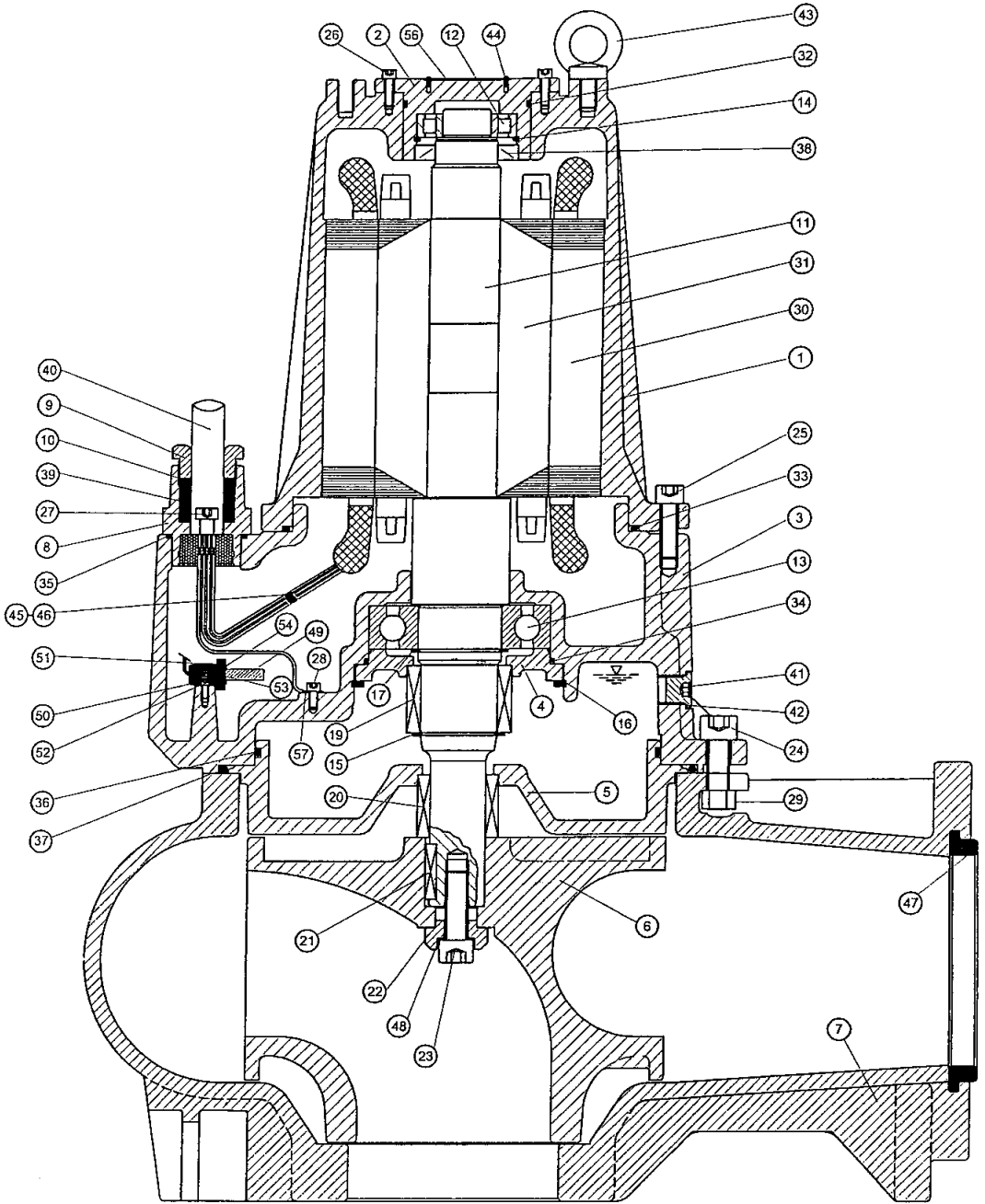
# VT 100/4 C.355-356



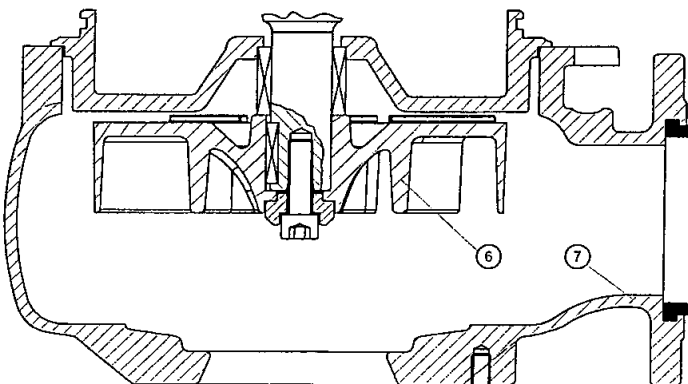
# M 150/4 C.258



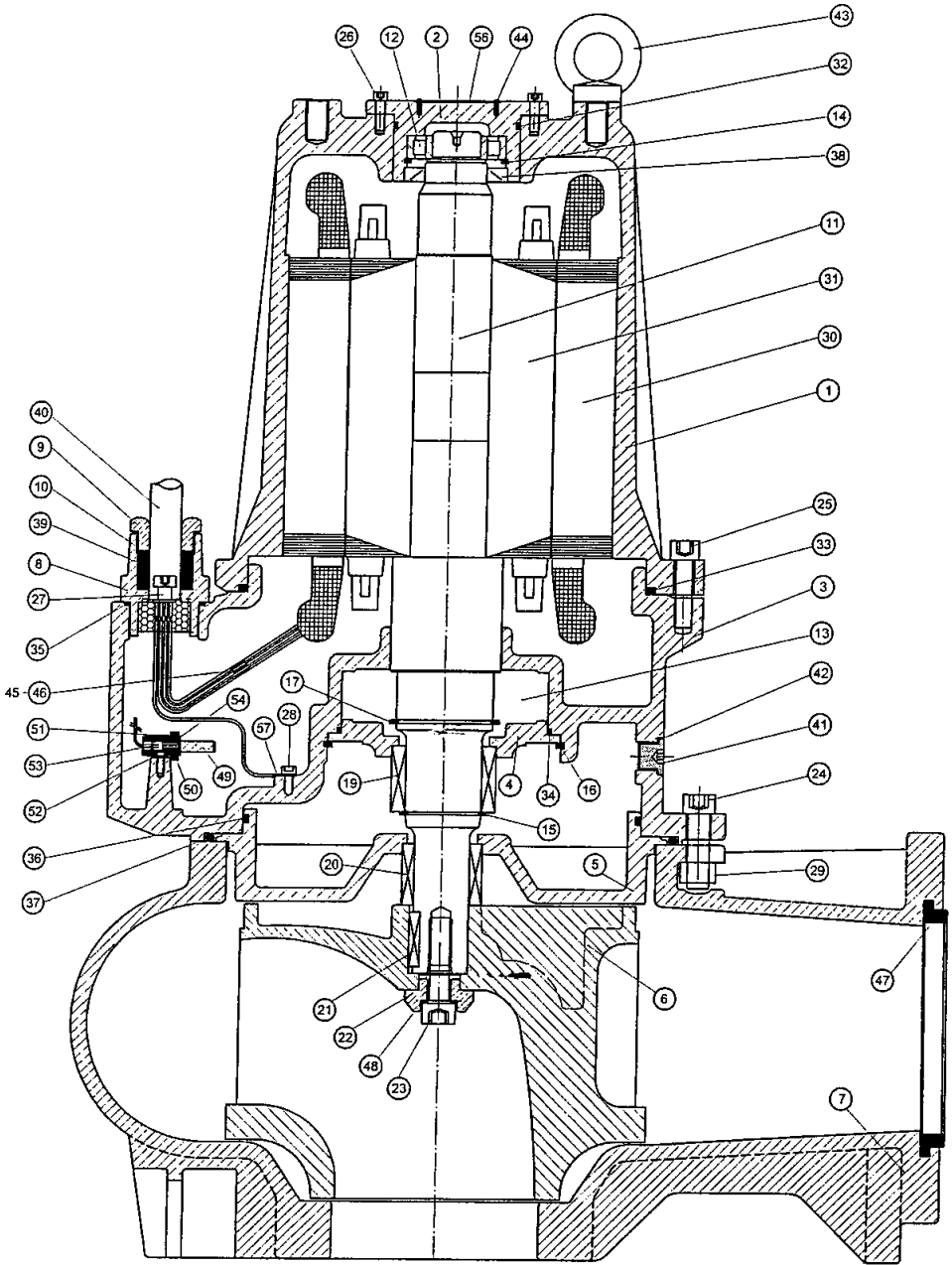
# M 150/4 C. 264-265



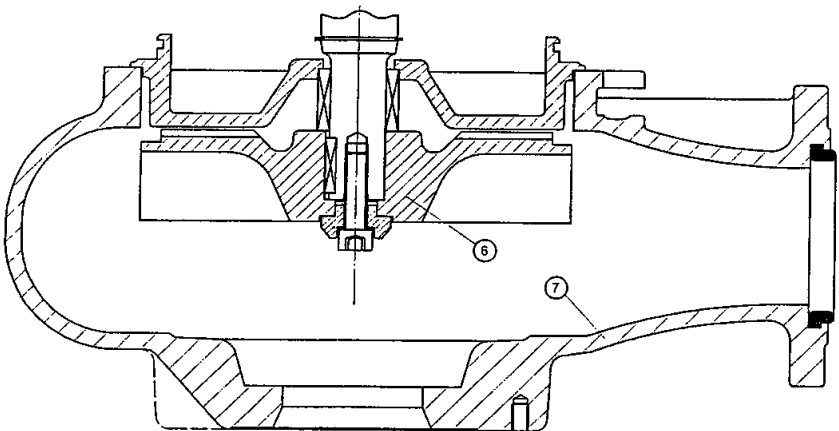
# VT 100/4 C. 360-362-363



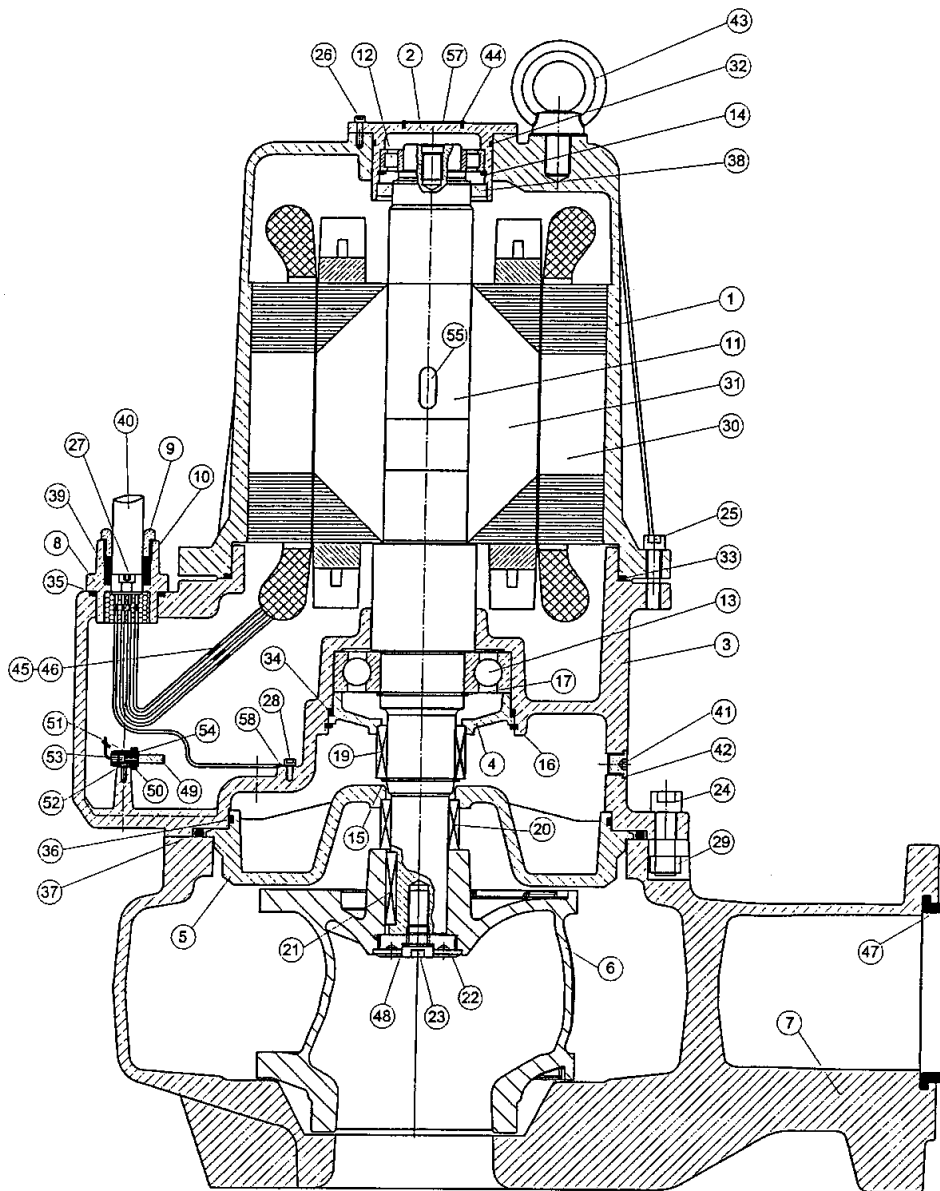
# M 150/4 C. 275-280



# VT 100/4 C. 375-380



# M 150/4 C. 285-290-295



# VT 150/4 C. 385-390-395

