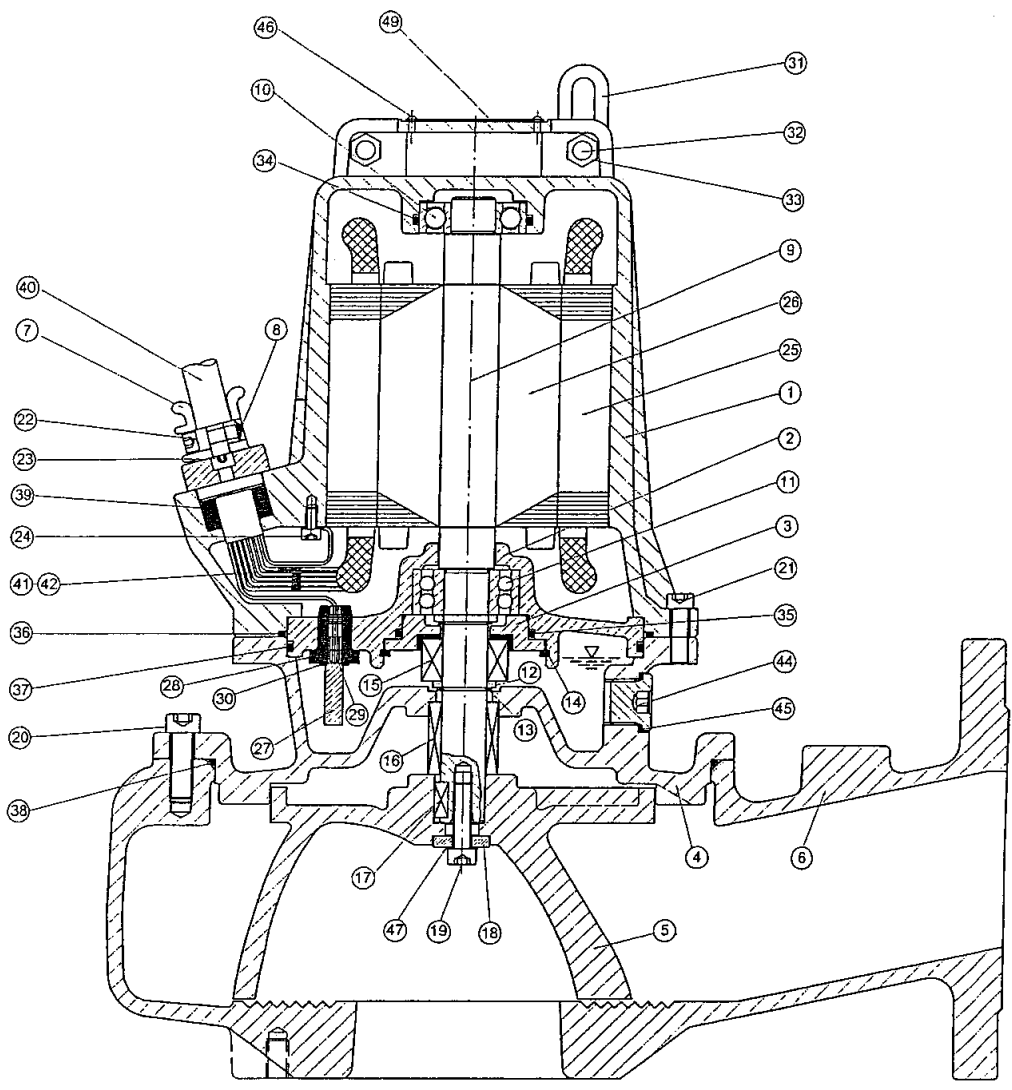
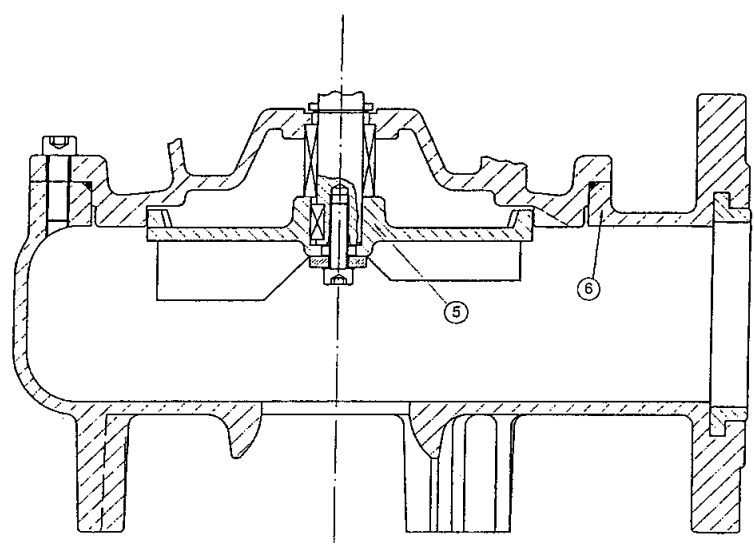


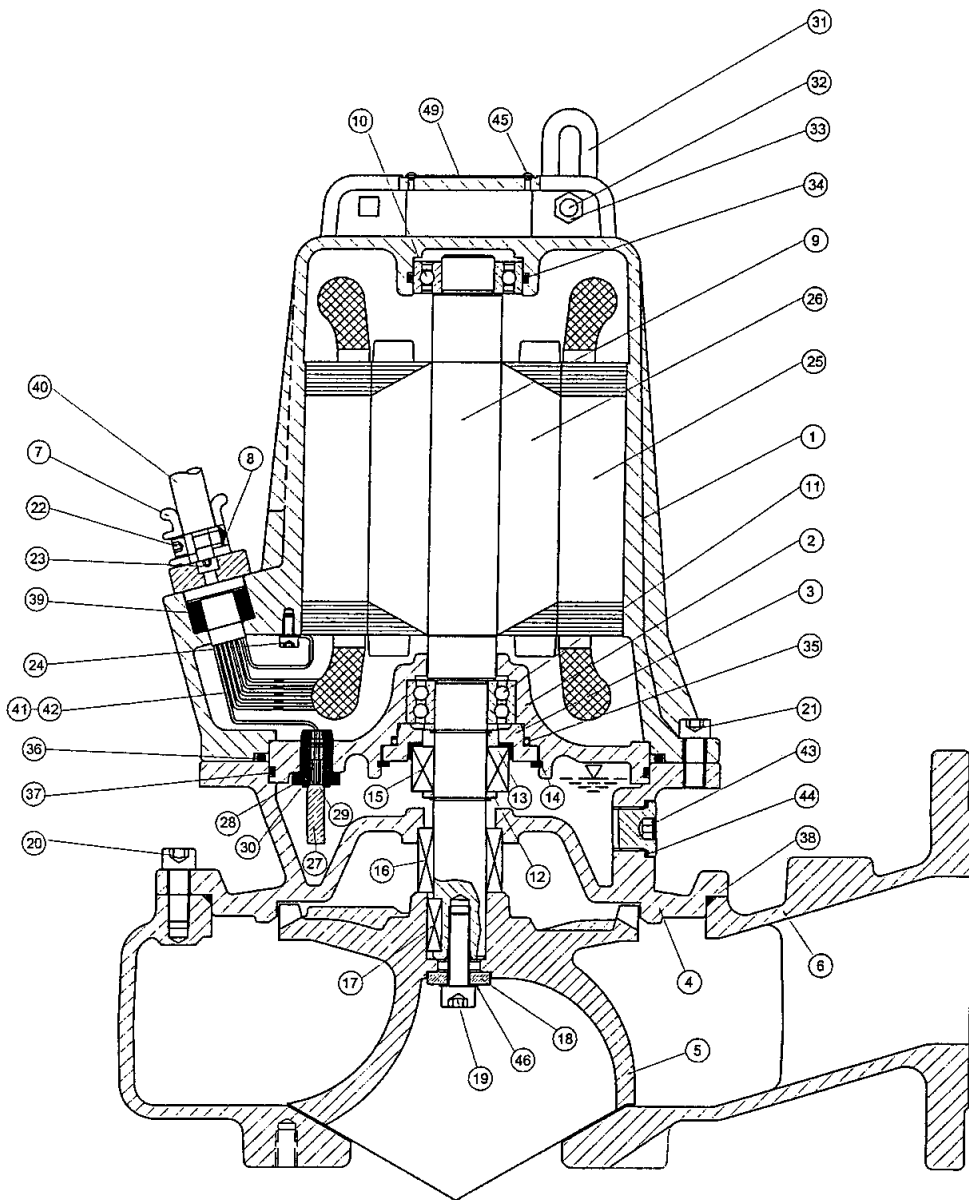
M 80-4 C.241-242



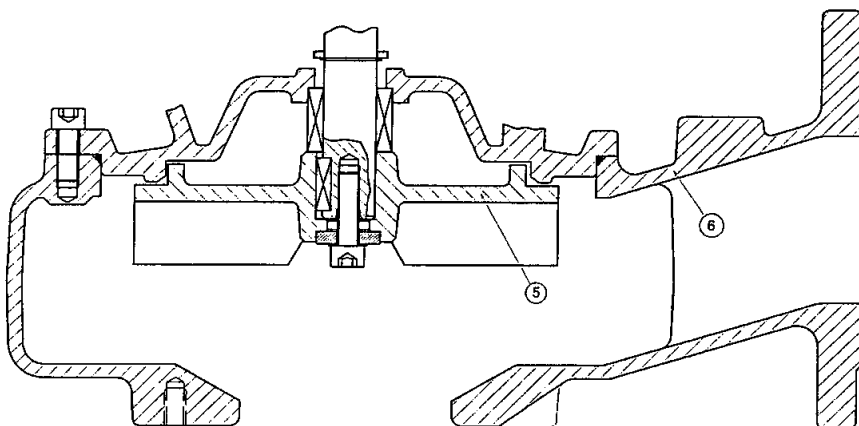
VT 80-4 C.341-342



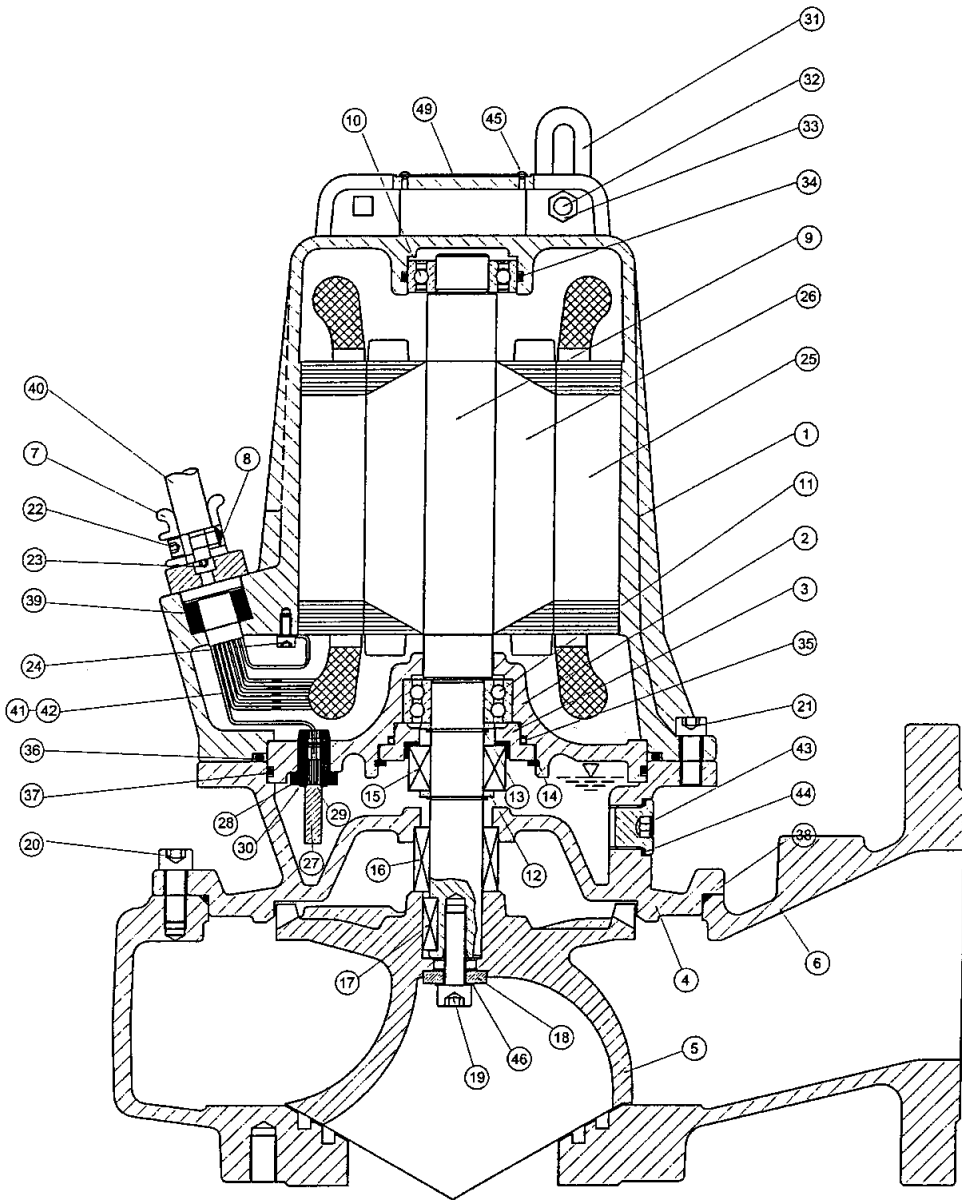
M 80-4 C.243-244-245



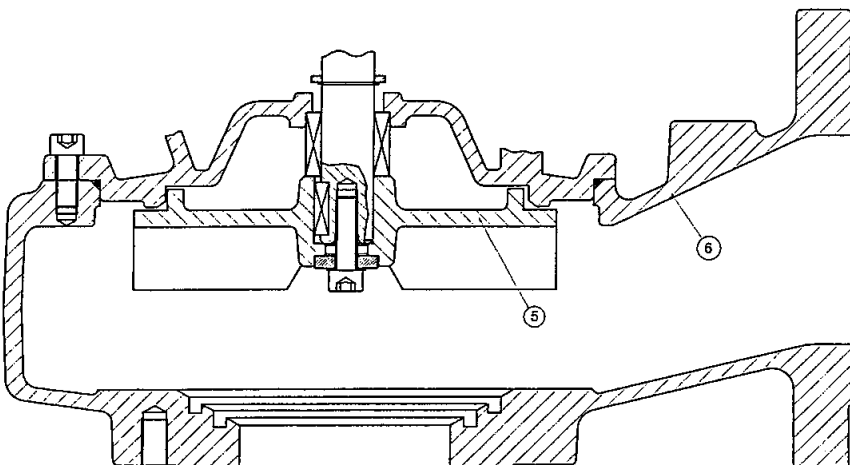
VT 80/4 C.343-344-345



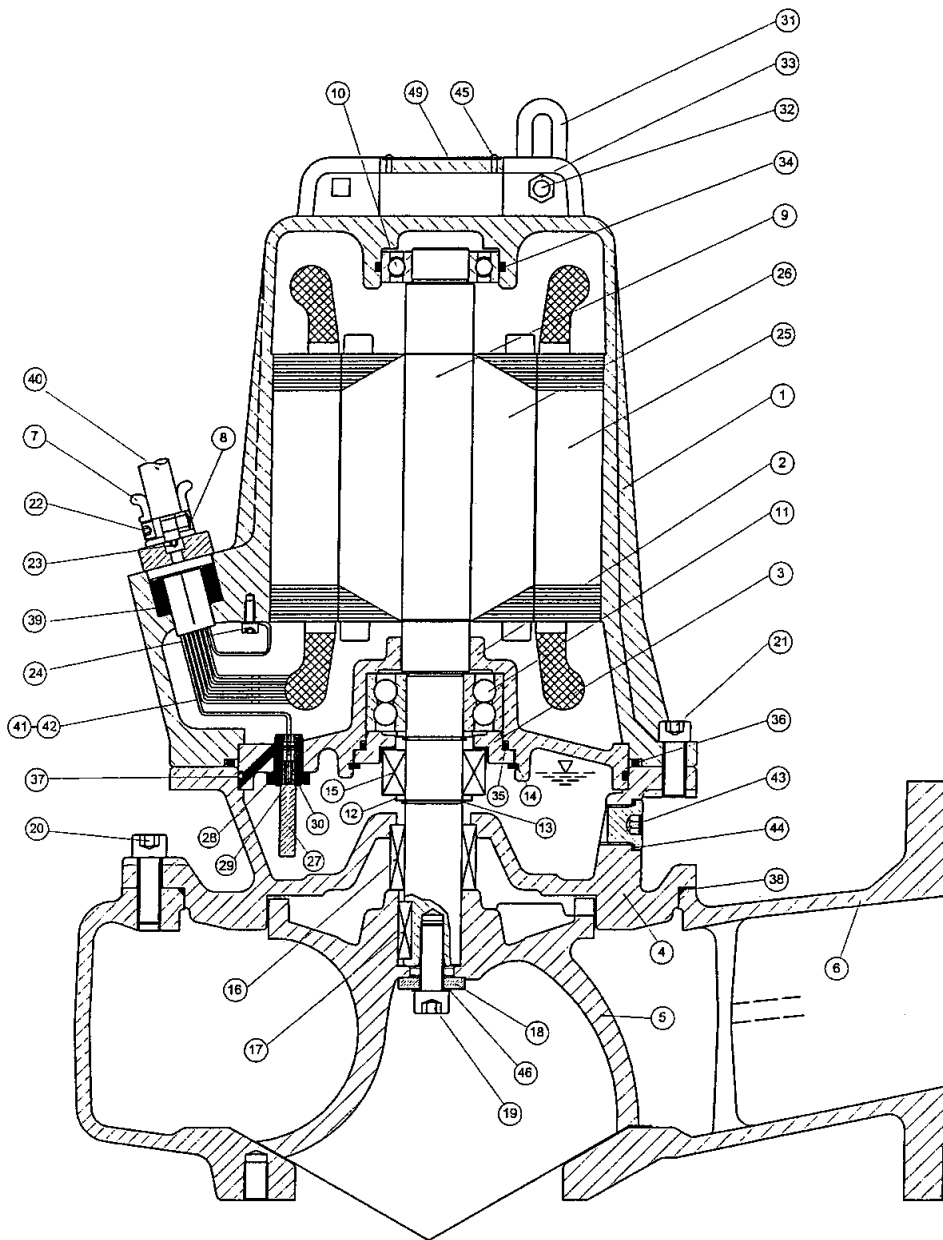
M 100/4 C.243-244-245



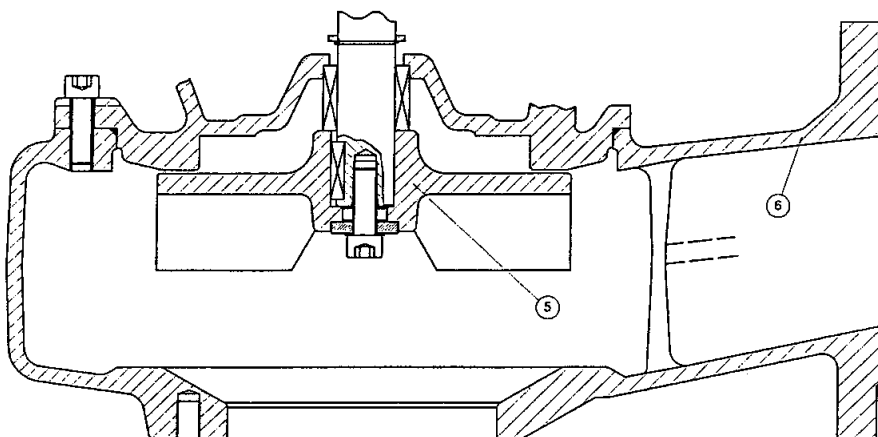
VT 100/4 C.349-350



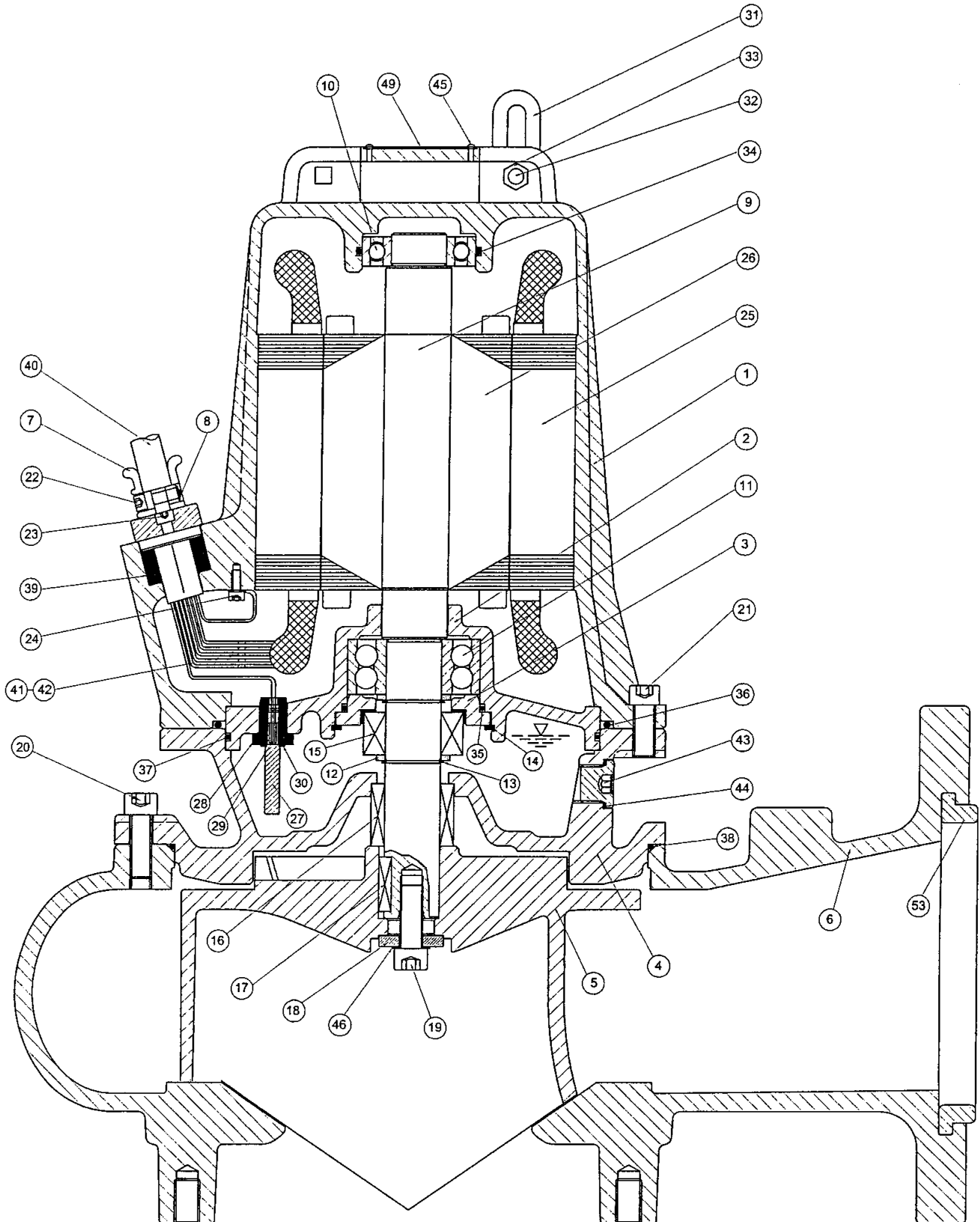
M 100/4 C.255-256



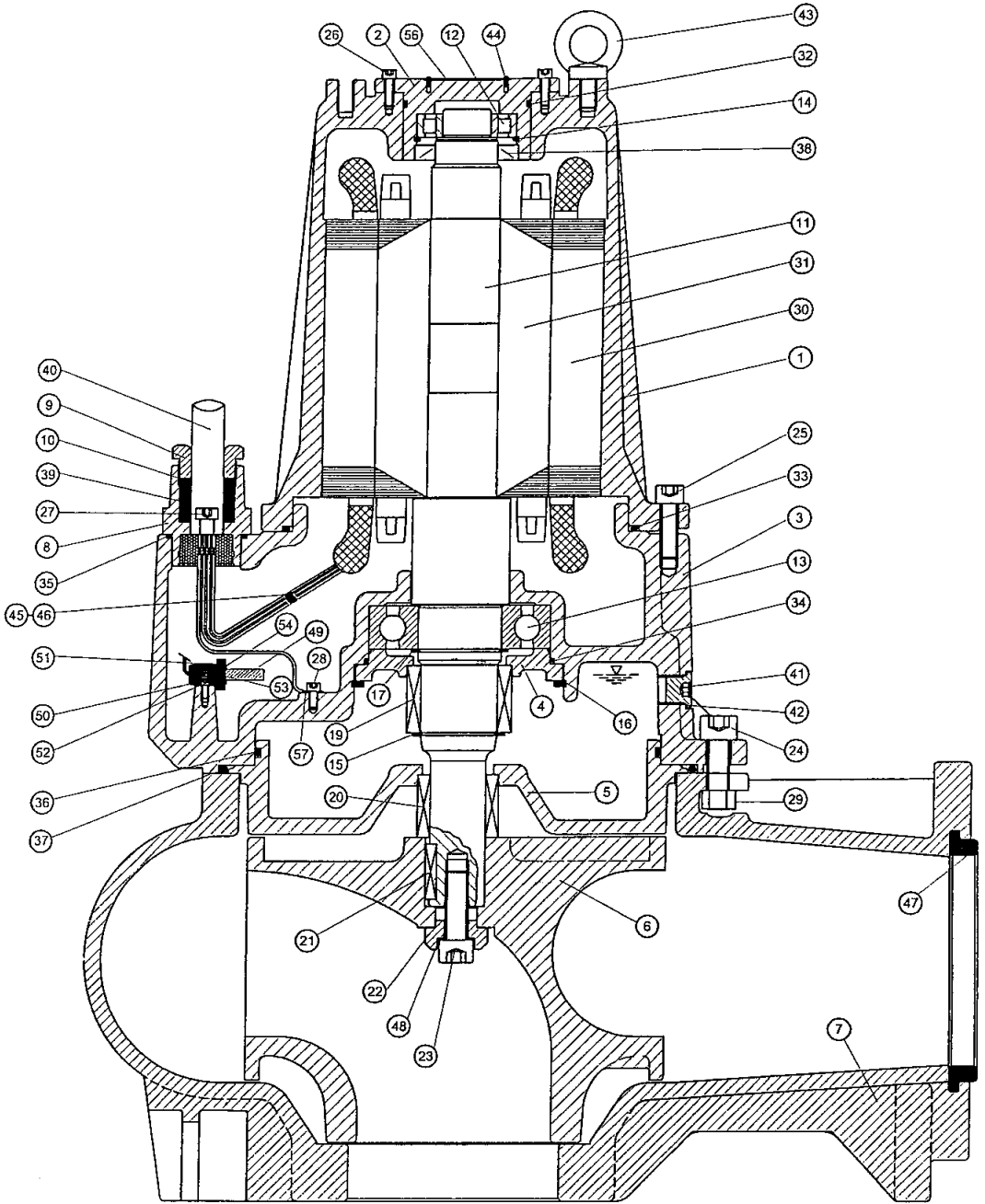
VT 100/4 C.355-356



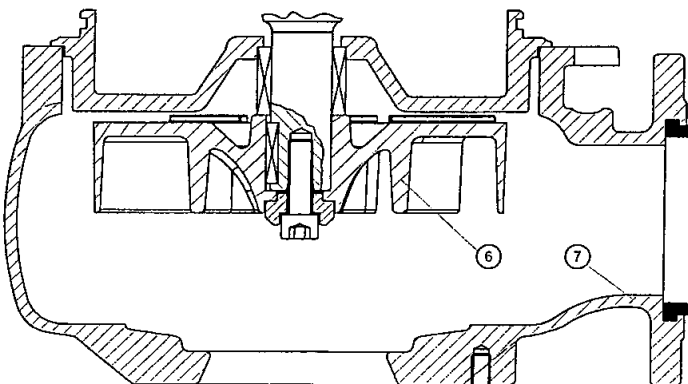
M 150/4 C.258



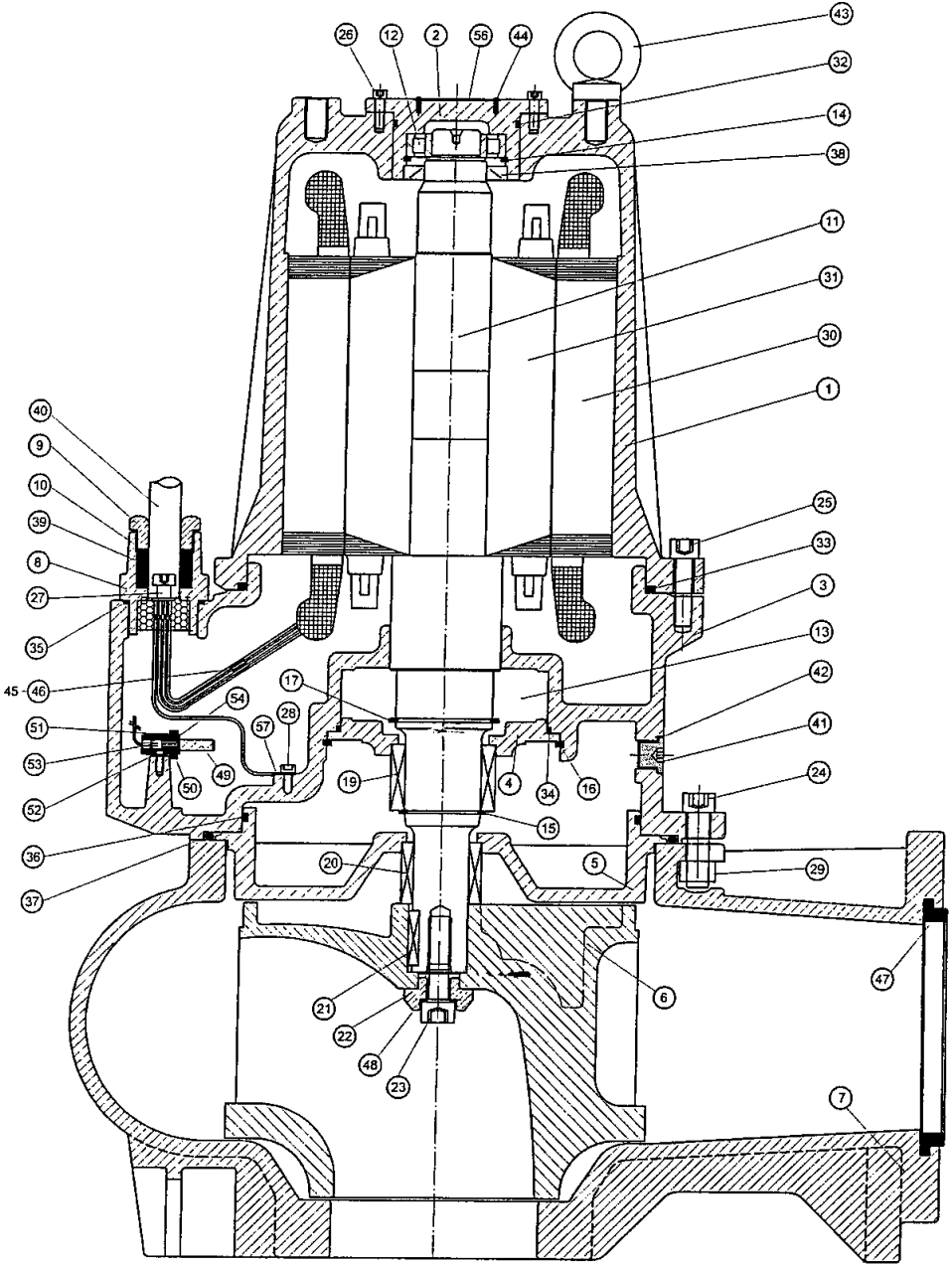
M 150/4 C. 264-265



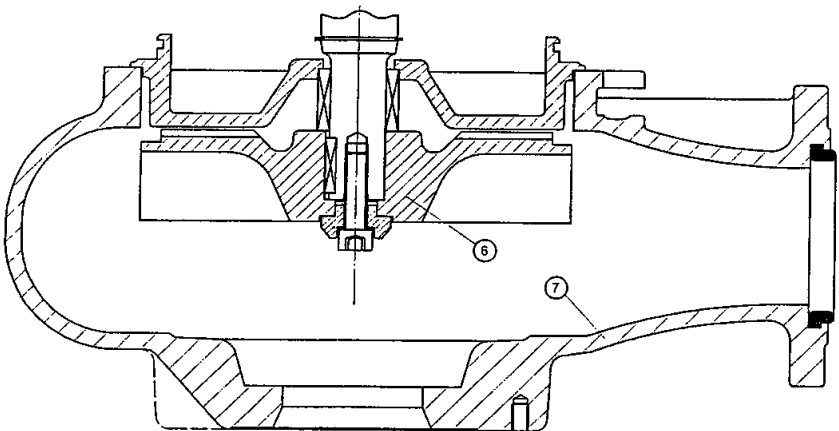
VT 100/4 C. 360-362-363



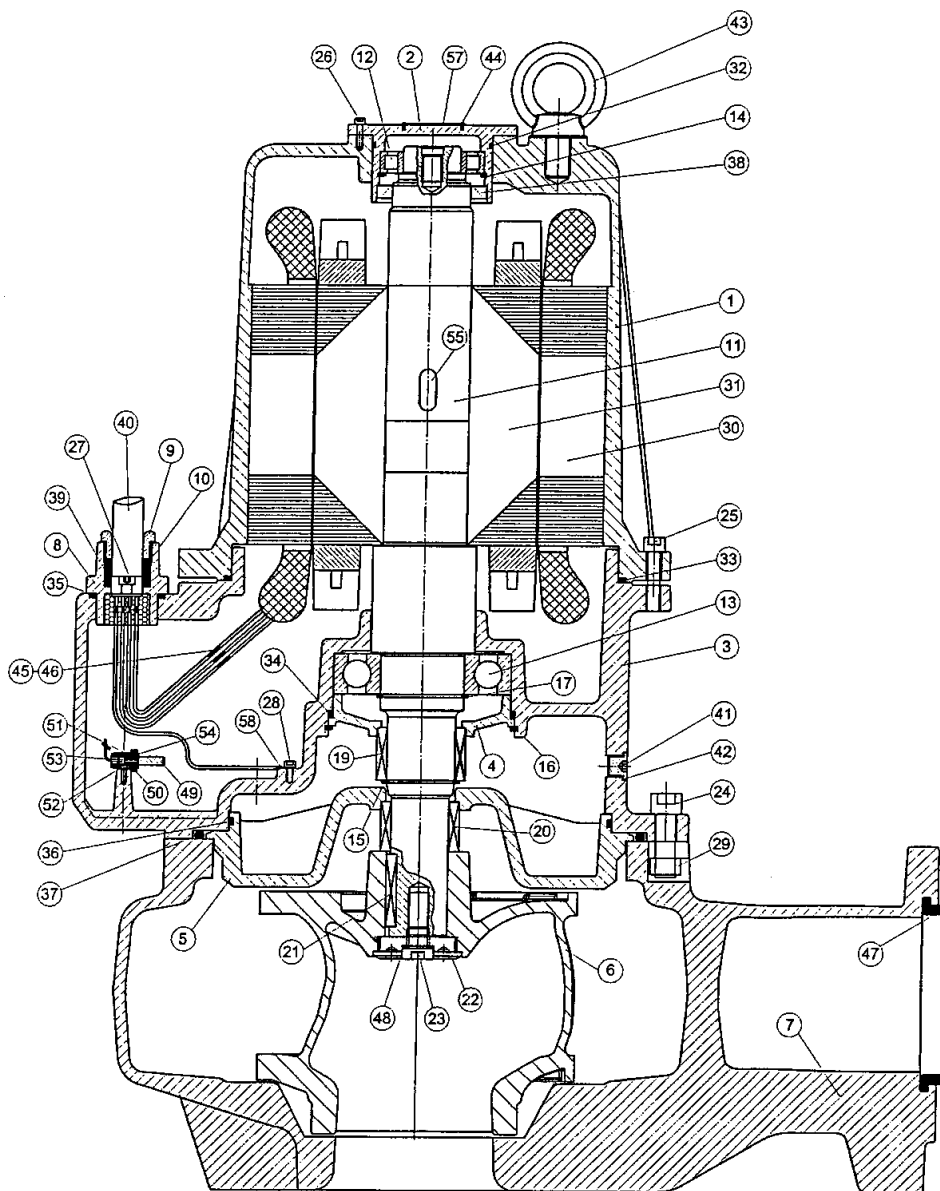
M 150/4 C. 275-280



VT 100/4 C. 375-380



M 150/4 C. 285-290-295



VT 150/4 C. 385-390-395

