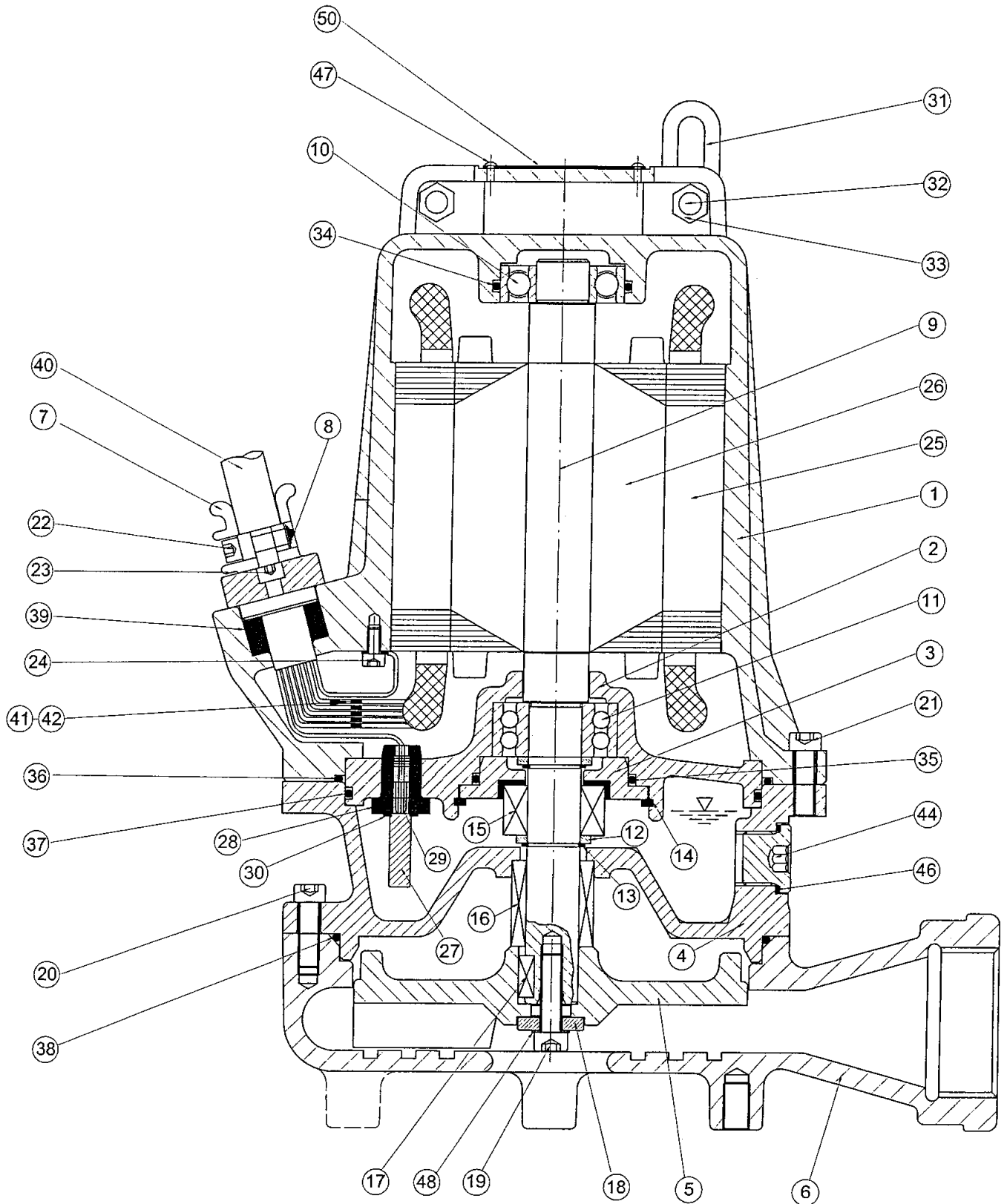
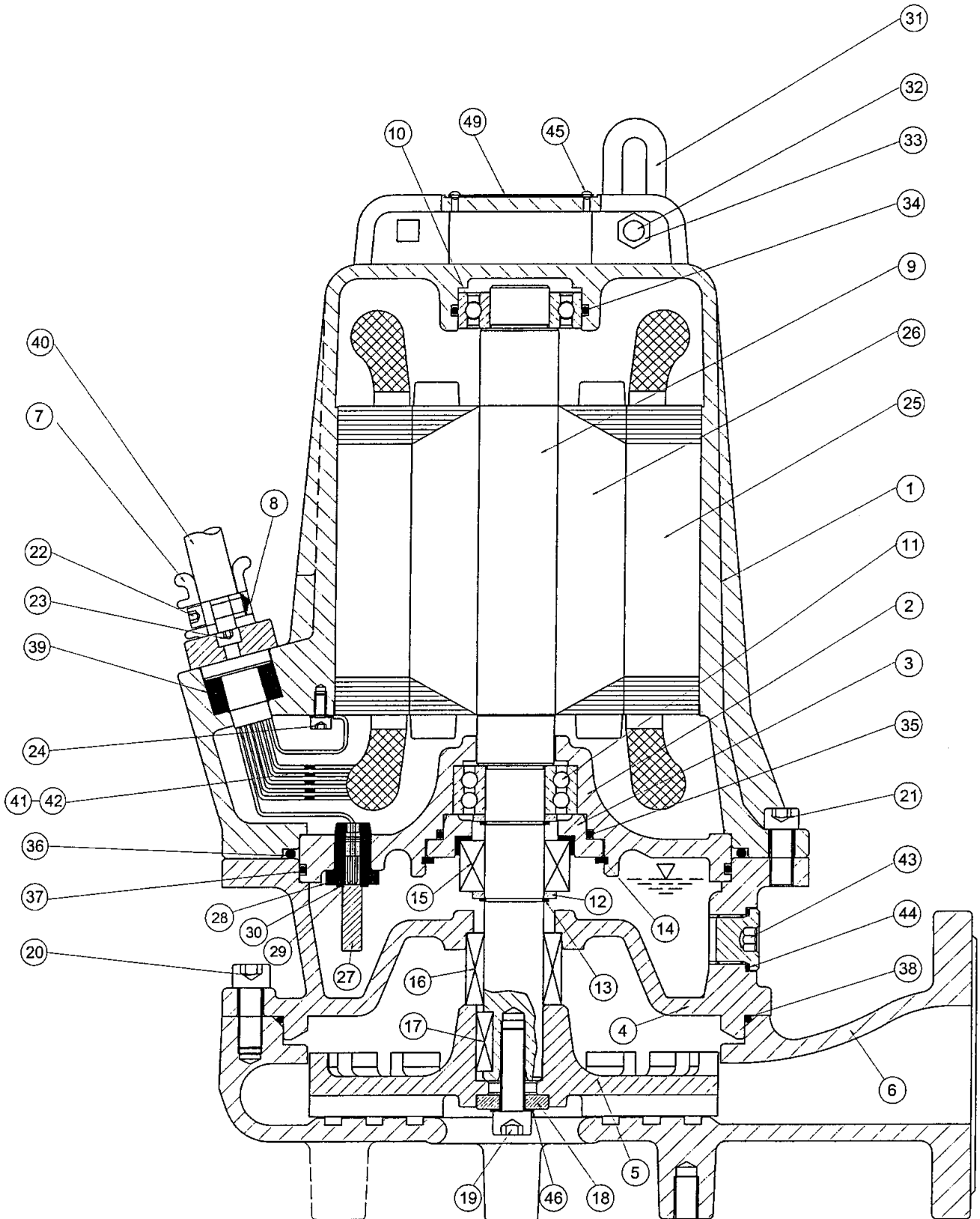


# HT 50-2 C. 500-501



# HT 65-2 C. 502-503



# HT 65-2 C. 504-505

