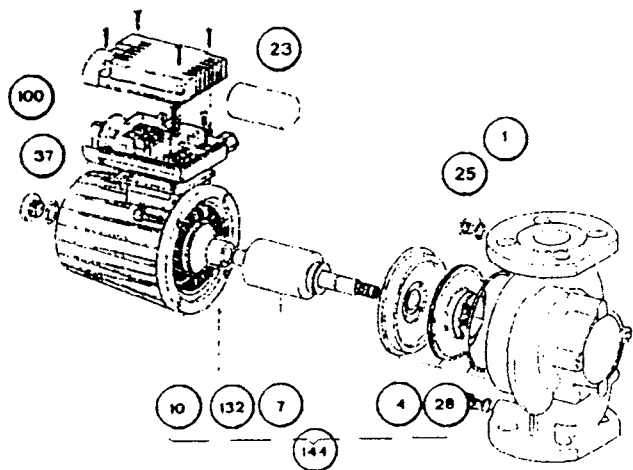
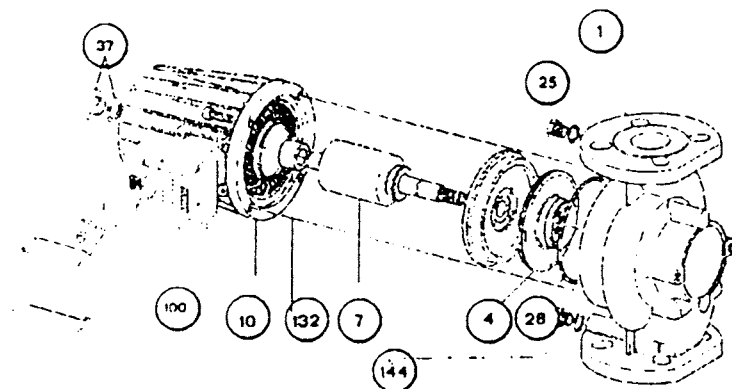


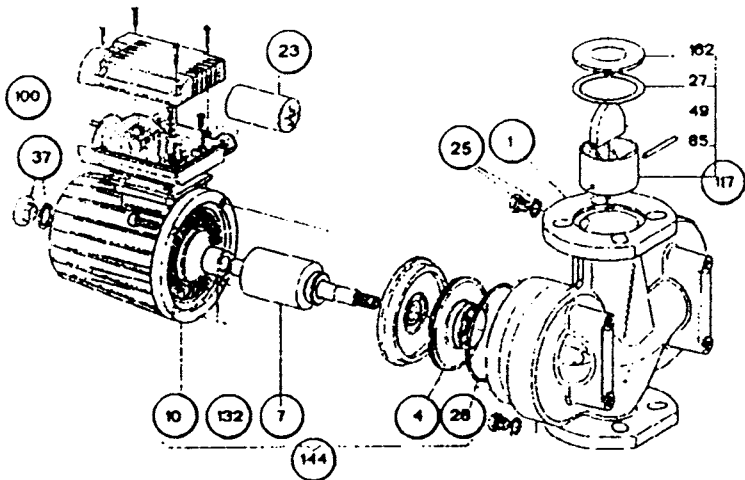
BMH-BPH 60-120 M



BMH-BPH 30-60-120-150 T



DMH-DPH 60-120 M



DMH-DPH 30-60-120-150 T

