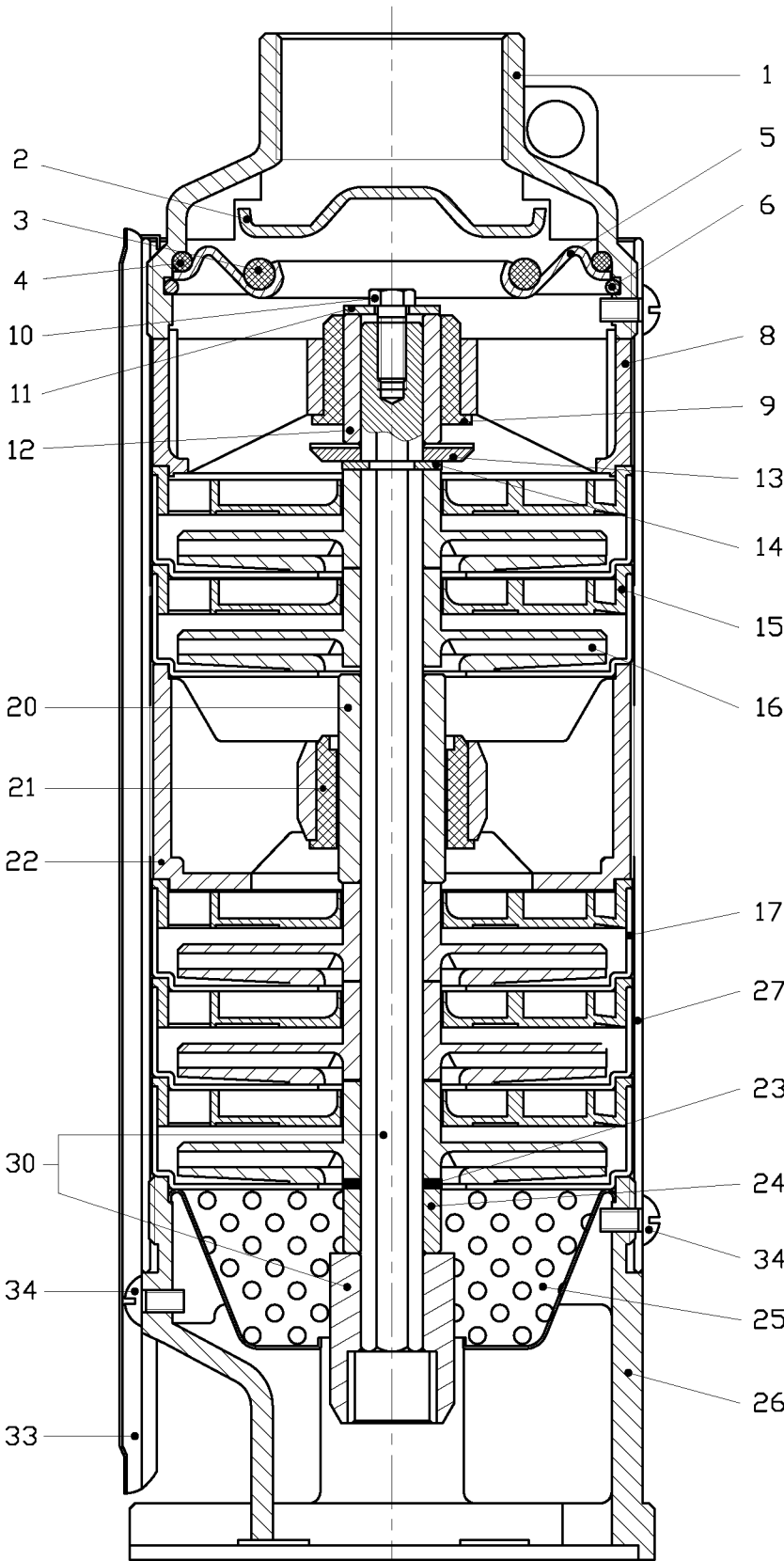


Sectional Drawing

AR 15-30-40 -60-80

Current Models	
Type	Number of Stage
AR-15	26
AR-30	27
AR-40	28
AR-60	25,27
AR-80	20,24,26

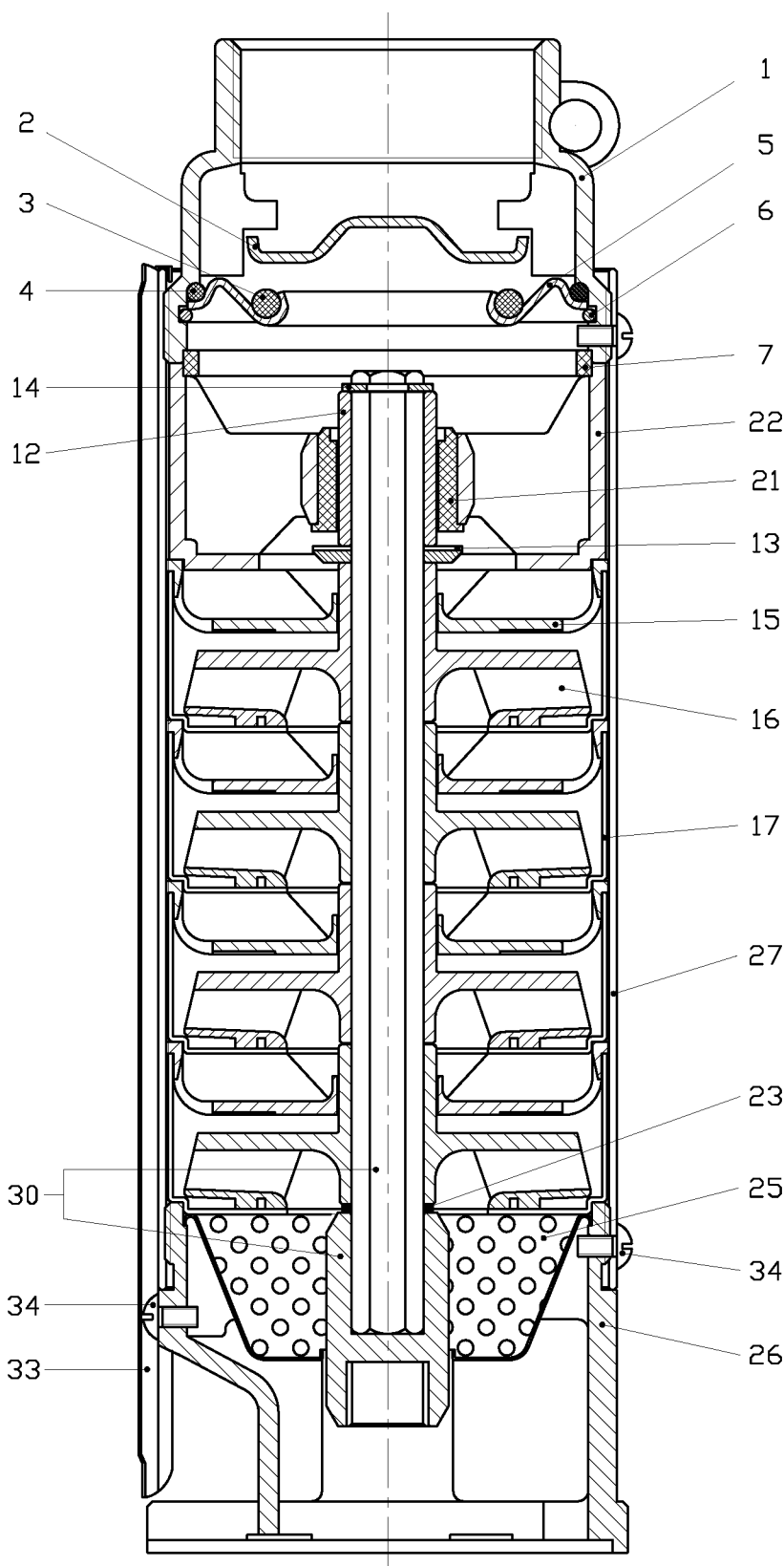


Description	Material
1 Discharge	SUS304
2 Check Valve Poppet	SUS304
3 C V. O-ring	NBR
4 C V. Seat O-ring	NBR
5 C V. Seat	SUS304
6 C V. Retaining Ring	SUS301
8 Upper Bearing Spider	Glass / Polycarbonate
9 Upper Bearing	Urethane
10 Shaft Screw	SUS304
11 Washer	SUS304
12 Upper Shaft Sleeve	SUS304
13 Upthrust Washer	SUS304
14 Shaft Retaining Ring	SUS301
15 Diffuser	Lexal
16 Impeller	Norel
17 Bowl	SUS304
20 Intermediate Shaft Sleeve	SUS304
21 Bearing	Urethane
22 Bearing Spider	Glass / Polycarbonate
23 Shim	SUS304
24 Lower Shaft Sleeve	SUS304
25 Strainer	SUS304
26 Motor Adapter	SUS304
27 Casing	SUS304
30 Pump Shaft / Coupling	SUS304
33 Cable Guard	SUS304
34 Screw	SUS304

1	25/01/2005
No.	Date

Sectional Drawing

AR-110 AR-140

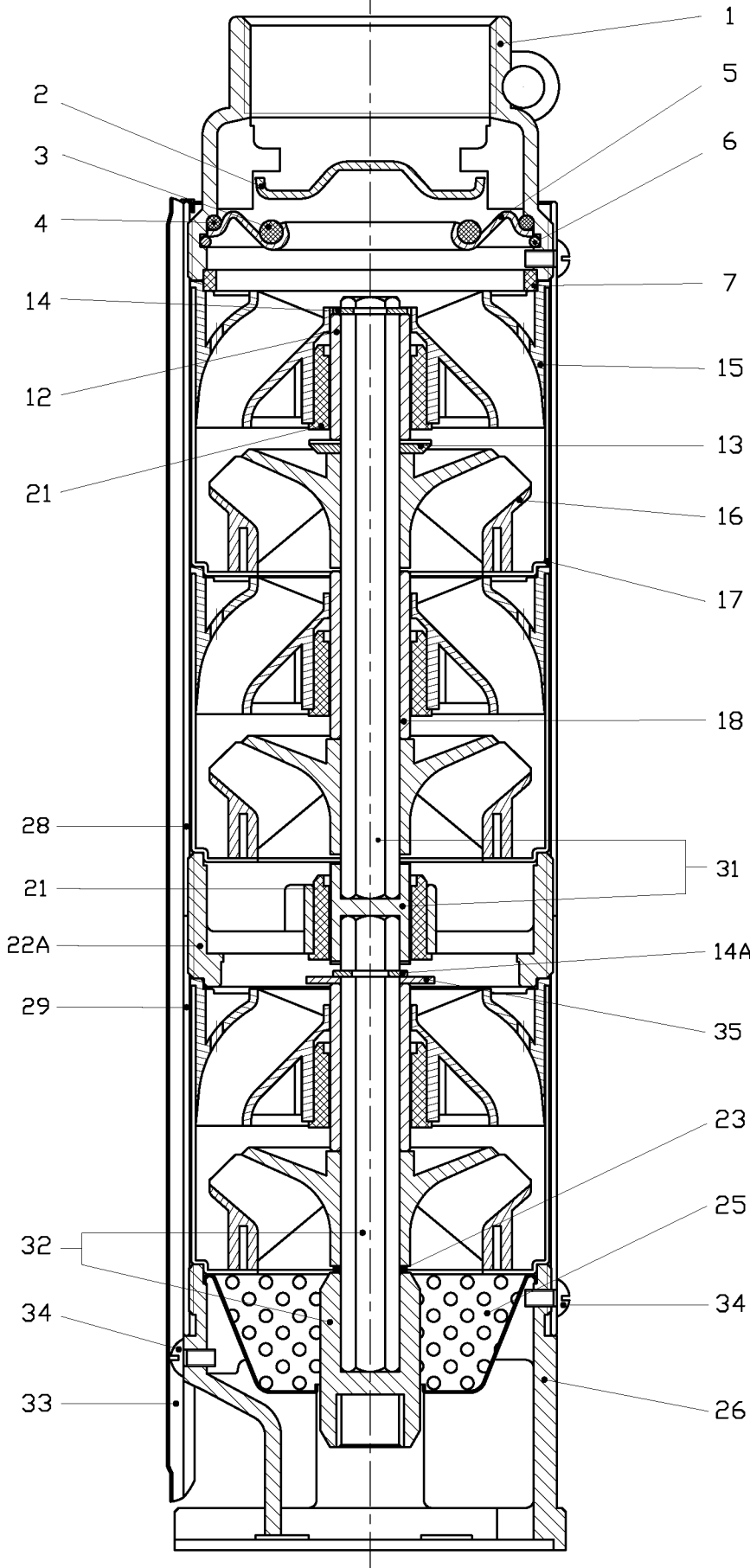


Description		Material
1	Discharge	SUS304
2	Check Valve Poppet	SUS304
3	C V. O-ring	NBR
4	C V. Seat O-ring	NBR
5	C V. Seat	SUS304
6	C V. Retaining Ring	SUS301
7	Adapter Ring	Glass / Polycarbonate
12	Upper Shaft Sleeve	SUS304
13	Upthrust Washer	SUS304
14	Shaft Retaining Ring	SUS301
15	Diffuser	Lexal
16	Impeller	Norel
17	Bowl	SUS304
21	Bearing	Urethane
22	Bearing Spider	Glass / Polycarbonate
23	Shim	SUS304
25	Strainer	SUS304
26	Motor Adapter	SUS304
27	Casing	SUS304
30	Pump Shaft / Coupling	SUS304
33	Cable Guard	SUS304
34	Screw	SUS304

Sectional Drawing

AR-250

For stage of 20



	Description	Material
1	Discharge	SUS304
2	Check Valve Poppet	SUS304
3	C V. O-ring	NBR
4	C V. Seat O-ring	NBR
5	C V. Seat	SUS304
6	C V. Retaining Ring	SUS301
7	Adapter Ring	Glass / Polycarbonate
12	Upper Shaft Sleeve	SUS304
13	Upthrust Washer	SUS304
14	Shaft Retaining Ring	SUS301
14A	Lower Shaft Retaining Ring	SUS301
15	Diffuser	Lexal
16	Impeller	Norel
17	Bowl	SUS304
18	Diffuser Shaft Sleeve	SUS304
21	Bearing	Urethane
22A	Intermediate Bearing Spider	SUS304
23	Shim	SUS304
25	Strainer	SUS304
26	Motor Adapter	SUS304
28	Upper Casing	SUS304
29	Lower Casing	SUS304
31	Upper Pump Shaft / Coupling	SUS304
32	Lower Pump Shaft / Coupling	SUS304
33	Cable Guard	SUS304
34	Screw	SUS304
35	Intermediate Upthrust Washer	SUS304