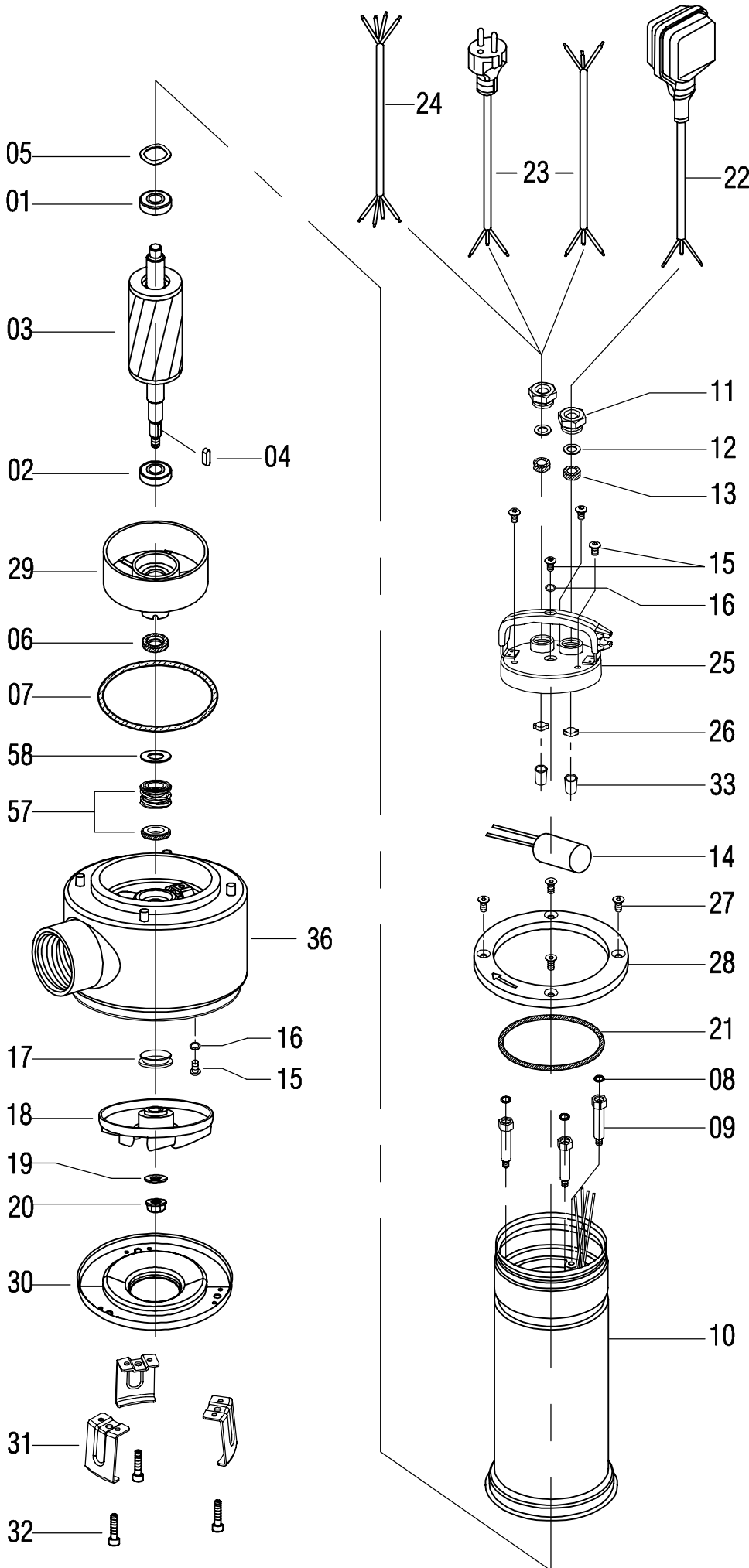


VOR T- 07,10,15,20



Description	
01	Upper bearing
02	Lower bearing
03	Shaft-rotor
04	Key
05	Wave washer
06	Seal ring
07	O-ring
08	O-ring
09	Shaft-rotor
10	Motor Group
11	Wire fixing screw plug
12	Washer
13	Packing Rubber
14	Capacitor
15	Screw
16	O-ring
17	V-ring
18	Impeller
19	Washer
20	Locknut
21	O-ring
22	Float switch
23	Single phase power lead
24	Three phase power lead
25	Motor Cover
26	Clamping sleeve
27	Screw
28	Fixing ring
29	Lower bearing seat
30	Suction flange
31	Foot support
32	Screw
33	Glue Tube
36	Pump body
57	Mechanical seal
58	Washer