

VERTINOX

MULTISTAGE CENTRIFUGAL PUMPS

The VERTINOX vertical multistage centrifugal pumps are especially suitable for the manufacture of pumping assemblies, above all in cases where a high level of efficiency and silence is required with reduced overall floor dimensions.

- HIGH HYDRAULIC EFFICIENCY
- STRONG AND RESISTANT



Applications

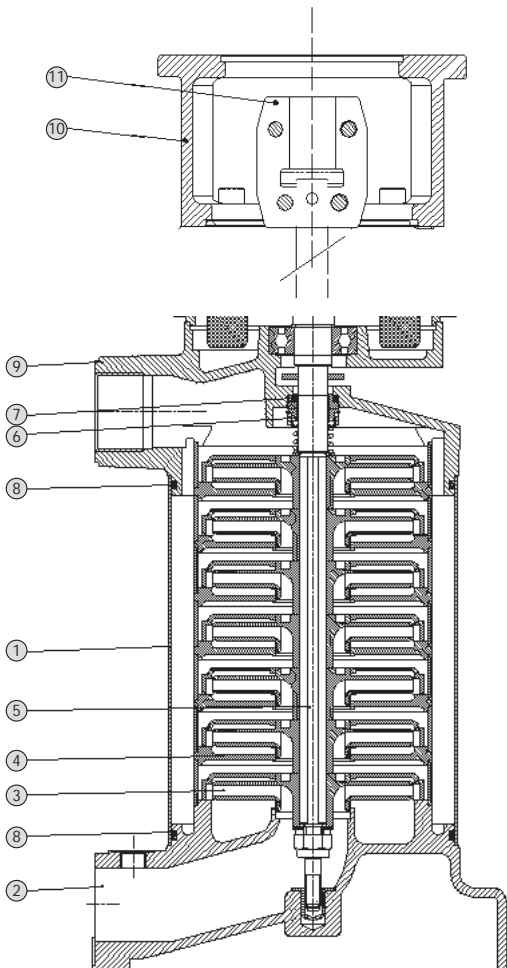
- Pumping and distribution of water in domestic systems used on a continuous or intermittent basis
- Booster systems
- Washing systems, garden irrigation, fountains.
- Firefighting systems

Motor

- Enclosed, externally ventilated
- Level of protection IP 44.
- Class F insulation.
- Single phase power supply with capacitor. Permanently activated and thermal protection built into the motor winding.
- Three phase power supply with external protection provided by the user.
- Speed of rotation 2850 rpm.
- Suitable for continuous use.

Usage limitations

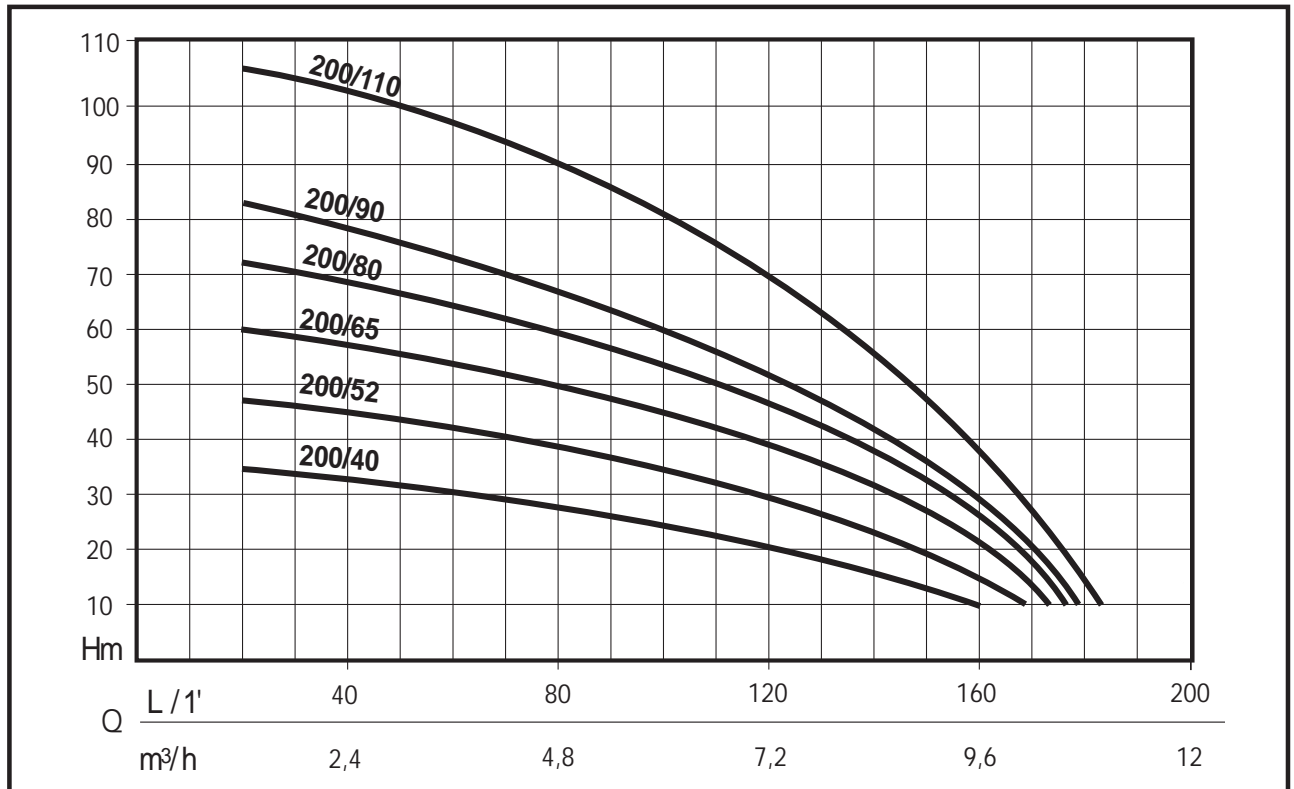
- Type of liquid: clean water with no suspended solids or abrasive material
- Maximum liquid temperature 50°C
- Maximum recommended suction height 6 m with foot valve
- Maximum operating pressure: 9 bar
12bar (VERTINOX 200/110)



DESIGN FEATURES

Component	Material
1 Outer liner (pump body)	X5 CrNi 1810 (Aisi 304) Stainless steel
2 Suction flange	EN GJL 200 (ex G20) Cast iron
3 Impeller	Technopolymer with AISI 304 stainless steel shim ring
4 Diffuser	Technopolymer
5 Shaft (hydraulic end)	X5 CrNi 1810 (Aisi 304) Stainless steel
6 Mechanical seal	Graphite
7 Counterface	Ceramic
8 O'ring	NBR 70 shore
9 Discharge flange Motor bracket	EN GJL 200 (ex G20) Cast iron
10 Adapter	EN GJL 200 (ex G20) Grey cast iron on model 200/110
11 Motor joint	EN GJS 400 (ex GS400) Nodular cast iron on model 200/110

TABLE OF HYDRAULIC PERFORMANCE



PUMP PERFORMANCE

MODEL	Nominal Power		Absorbed Power		VOLTAGE	Amp.	μF.	Q	Discharge head in meters				
	HP	kW	HP	kW					L/1'	20	40	80	120
								m³/h	1,2	2,4	4,8	7,2	9,6
VERTINOX 200/40 M VERTINOX 200/40 T	1,5	1,1	2	1,5	1 ~ 220÷240 V 3 ~ 230÷400 V	7 3,6-2,1	20	Discharge head in meters	35	33	28	20	10
VERTINOX 200/52 M VERTINOX 200/52 T	1,8	1,3	2,5	1,8	1 ~ 220÷240 V 3 ~ 230÷400 V	8,5 5-2,9	25		48	45	39	29	16
VERTINOX 200/65 M VERTINOX 200/65 T	1,9	1,4	2,7	2	1 ~ 220÷240 V 3 ~ 230÷400 V	9,3 6-3,5	35		60	57	50	38	21
VERTINOX 200/80 T	2,5	1,8	3,5	2,6	3 ~ 230÷400 V	8-4,6			72	68	60	47	27
VERTINOX 200/90 T	2,6	1,9	3,7	2,7	3 ~ 230÷400 V	9-5,2			83	78	67	52	28
VERTINOX 200/110 T	3,5	2,6	4,4	3,2	3 ~ 230÷400 V	10-5,6			107	103	90	68	35

TABLE OF SIZES AND WEIGHTS

Model	Dimensions mm.							Net Weight kg
	A	B	C	D	E	DNA	DNM	
VERTINOX 200/40	438	115	37	143	204	1" 1/4	1" 1/4	19
VERTINOX 200/52	466	115	37	174	204	1" 1/4	1" 1/4	21
VERTINOX 200/65	504	115	37	203	204	1" 1/4	1" 1/4	23
VERTINOX 200/80	525	115	37	230	204	1" 1/4	1" 1/4	25
VERTINOX 200/90	555	115	37	257	204	1" 1/4	1" 1/4	27
VERTINOX 200/110	760	115	37	320	204	1" 1/4	1" 1/4	36

