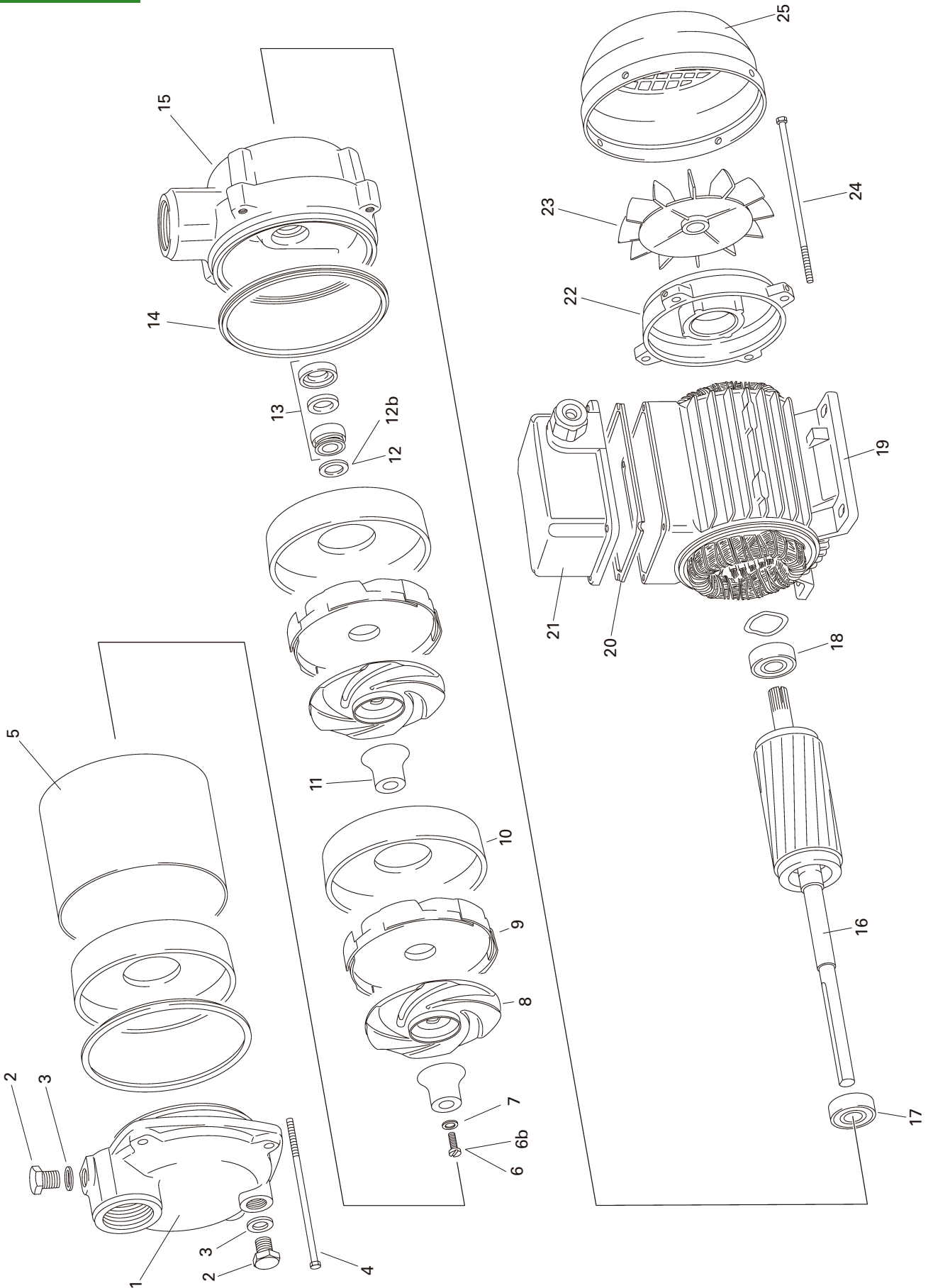


**SIGMA**



ESPAÑOL DESCRIPCIÓN	ENGLISH DESCRIPTION	FRANÇAIS DESCRIPTION
1 CUERPO ASPIRACION	1 SUCTION BASE	1 BASE ASPIRATION
2 TAPON LATON 1/4"	2 BRASS BOLT 1/4"	2 FICHE LAITON 1/4"
3 ARANDELA ALUMINIO 1/4"	3 ALUMINIUM WASHER 1/4"	3 ALUMINIUM VAISSELLE 1/4"
4 TENSOR BOMBA	4 PUMPTIE	4 TIRANT POMPE
5 CAMISA INOX	5 INOX SHIRT	5 CHEMISE INOX
6 TORNILLO DIN 912 M5 A2	6 BOLT DIN 912 M5 A2	6 VIS DIN 912 M5 A2
6b TUERCA DIN 985 M10 A2 (200/300/400)	6b NUT DIN 985 M10 A2 (200/300/400)	6b ÉCROU DIN 985 M10 A2 (200/300/400)
7 ARANDELA DIN 9021 D5 A2	7 WASHER DIN 9021 D5 A2	7 RONDELLE DIN 9021 D5 A2
8 TURBINA INOX	8 INOX IMPELLER	8 TURBINE INOX
9 DIFUSOR	9 DIFFUSOR	9 DIFFUSEUR
10 PORTA DIFUSOR	10 DIFFUSER HOLDER	10 DIFFUSEUR SUPPORT
11 DISTANCIADOR NORYL	11 NORYL SPACER	11 ENTRETOISE NORYL
12 ARANDELA DIN 125 D10 A2	12 WASHER DIN 125 D10 A2	12 RONDELLE DIN 125 D10 A2
12b CASQUILLO APRIETA CIERRE (200/300/400)	12b TIGHTEN CAP LOCK (200/300/400)	12b DOUILLE BOUCHON ESTAMPILLE (200/300/400)
13 CIERRE MECANICO	13 MECHANICAL SEAL	13 ESTAMPILLE
14 JUNTA CAMISA	14 SHIRT SEAL	14 JOINT CHEMISE
15 CUERPO IMPULSION	15 DRIVE HOUSING	15 CORPS IMPULSION
16 EJE CON ROTOR	16 SHAFT WITH ROTOR	16 ARBRE AVEC ROTOR
17 RODAMIENTO DELANTERO	17 FRONT BEARING	17 ROULEMENT AVANT
18 RODAMIENTO TRASERO	18 REAR BEARING	18 ROULEMENT ARRIÈRE
19 CARCASA ESTATOR	19 STATOR WITH HOUSING	19 STATOR LOGEMENT
20 JUNTA TAPA BORNES	20 TERMINAL COVER SEAL	20 JOINT CACHE BORNE
21 TAPA BORNES	21 TERMINAL COVER	21 CACHE BORNES
22 TAPA TRASERA MOTOR	22 MOTOR REAR COVER	22 CAPOT ARRIÈRE MOTEUR
23 VENTILADOR MOTOR	23 FAN	23 VENTILATEUR
24 TENSOR MOTOR	24 MOTOR TIE	24 TIRANT MOTEUR
25 TAPA VENTILADOR	25 FAN COVER	25 CAPOT VENTILATEUR