

STANDARDISED ENBLOC CENTRIFUGAL PUMPS

NKM-G NKP-G

STANDARDISED ENBLOC



GENERAL DATA

Applications

Enbloc, centrifugal motor-driven pumps with coupling designed for a wide range of applications such as:

- supplying water
- the circulation of hot water for central heating
- the circulation of cold water for air conditioning and refrigerating
- the transfer of liquids in agriculture, horticulture and in industries
- the implementation of pumping systems

Constructional features of the pump

Single-stage, cast iron spiral body made to DIN-EN 733 (formerly DIN 24255), cast iron support, flanges in accordance with DIN 2533 and DIN 2532 for DN 200. Impeller in cast iron, encased and dynamically balanced with compensation of the axial thrust by means of balancing holes, operating (on request) with interchangeable wear rings. AISI 304 stainless steel pump shaft.

Seal: standardised mechanical seal made to DIN 24960 in carbon/ carborundum with or rings in EPDM.

Constructional features of the motor

Closed, asynchronous motor with external ventilation, construction type B3/B5, 2 poles for NKP and 4 poles for NKM. The rotor is mounted on extra large ball bearings to guarantee low noise running and durability. We recommend using overload protection for the motor, in accordance with current norms. In the case of liquids denser than water, the motors must be proportionally more powerful.

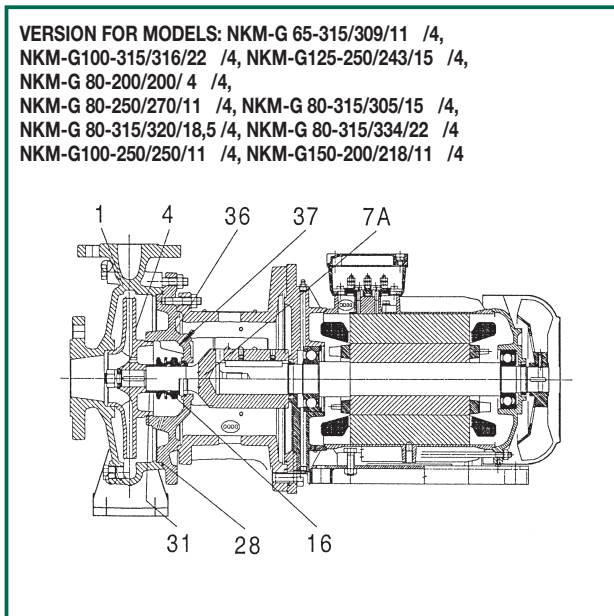
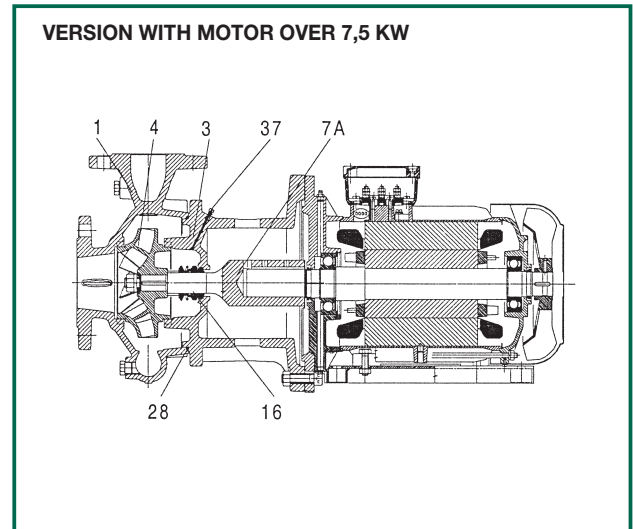
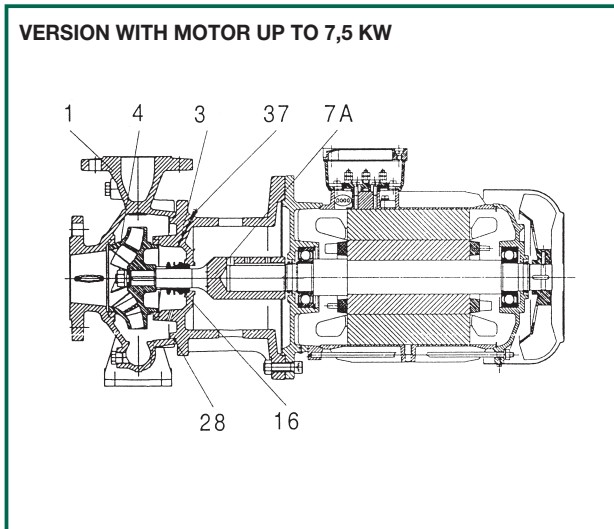
Construction in compliance with the CEI 2-3 standards.

Protection level: IP 55

Insulation class: F

Standard voltage: 230/400 V - 50 Hz up to 2,2 kW inclusive
400V Ø50 Hz over 2,2 kW

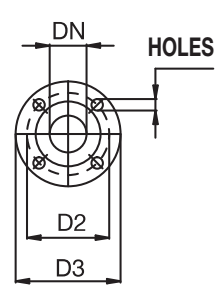
TECHNICAL DATA



N.	PARTS	MATERIALS (STANDARD VERSION)
1	PUMP BODY	CAST IRON 250 UNI ISO 185
3	SUPPORT	CAST IRON 250 UNI ISO 185
4	IMPELLER	CAST IRON 250 UNI ISO 185
7A	PUMP SHAFT	STAINLESS STEEL AISI 304 - UNI 6900/71
16	MECHANICAL SEAL	CARBON/CARBORUNDUM - EPDM
28	GASKET OR	EDPM
31	SPACER SEAL	STAINLESS STEEL AISI 304 - UNI 6900/71
36	SEAL HOLDER DISK	CAST IRON 250 UNI ISO 185
37	BLEED COCK	STAINLESS STEEL AISI 304 - UNI 6900/71

N.	PARTS	MATERIALS (VERSION ON REQUEST)
4	IMPELLER	BRONZE GCuSn5Zn5Pb5 UNI 7013/8a-72
16	MECHANICAL SEAL	CARBORUNDUM/CARBORUNDUM - EPDM CARBORUNDUM/CARBORUNDUM - VITON CARBON/CARBORUNDUM - VITON

- Rotation speed: 1450 - 2900 1/min.
- Operating range: from 1 to 500 m³/h with a head of up to 100 m.
- Pumped liquid: without solid or abrasive substances, not viscous, not aggressive, not crystallised and chemically neutral, close to water characteristic.
- Liquid temperature range: from -10°C to +140°C.
- Maximum ambient temperature: +40°C.
- Maximum working pressure: 16 bar - 1600 kPa (for DN 200 max 10 bar).
- Flanging: PN 16 DIN 2533
PN 10 DIN 2532 for DN 200
- Installation: normally horizontal or vertical provided the motor is always above the pump.
- Special version on request: pumps for liquid other than water.
Other voltages and/or frequencies.

		Nominal diameter (DN)					Nominal diameter (DN)				
		DIN 2533 PN 16					DIN 2533 PN 16				DIN 2532 PN 16
DN		32	40	50	65	80	100	125	150	200	
D2		100	110	125	145	160	180	210	240	295	
D3		140	150	165	185	200	220	250	285	340	
HOLES	Ø	18					18				22
	N°	4					8				8

Description of the product

NKM-G 100 - 200 / 198/A W /BAQE / 5,5 /4

NKM = 4 poles
 NKP = 2 poles
 G = With coupling
 Nominal diameter of discharge port:
 Nominal impeller diameter:
 Actual impeller diameter:
 Code of materials:
 A = Cast iron
 B = Cast iron with bronze impeller
 Neck rings (if present)
 Description of the seal
 Motor power in kW
 Pole number
 4P = 4 poles
 2P = 2 poles

Description of the mechanical seal

Item	Code	Description of the seal
1	A	O ring with fixed guide
	B	Rubber bellows seal
	C	O ring with spring guide
	D	Balanced O ring
	M	Metal bellows seal
	X	Other seal types
Item	Code	Materials
2 & 3	A	Impregnated carbon/metal
	B	Impregnated carbon/resin
	C	Other carbon types
	S	Chromium steel
	U	Tungsten carbide
	Q	Carborundum
	V	Aluminium oxide (ceramic)
	X	Other ceramic types
Item	Code	Materials
4	P	Nitrile rubber (NBR)
	S	Silicone rubber
	T	Teflon (PTFE)
	E	EPDM
	V	Viton
	M	PTFE coated O ring
Item	Code	Materials
5	v	Reinforced

Description of the product code

Impeller's nominal diameter	Code
125	1
160	2
200	3
250	4
315	5
125.1	K
160.1	L
200.1	M

Pump type	Code
32	1
40	2
50	3
65	4
80	5
100	6
125	7
150	8

Identification	Code
SACI PUMPS S.A.	D

	Code
SACI PUMPS S.A.	1

Code	Pump/impeller materials
1	A (01) = cast iron/cast iron
2	B (03) = cast iron/bronze
5	A (01) + Wr*
6	B (03) + Wr*

* With consumable rings

Code	Seal available
1	BAQE
5	BQQV*
7	BAQV*
G	BQQE*

* On request

Code	P2 nominal kW
1	0,37
2	0,55
3	0,75
4	1,1
5	1,5
6	2,2
7	3
8	4
9	5,5
A	7,5
B	11
C	15
D	18,5
E	22
F	30

Code	Pump type
B	NKM-G / NKP-G

Code	Voltage	Poles
0	Only hydraulic part	
1	3x220-240 / 380-415V 50 Hz 3x220-265 / 380-460V 60 Hz	2
2	3x380-415 50 Hz 3x380-460V 60 Hz	2
3	3x220-240 / 380-415V 50 Hz 3x220-265 / 380-460V 60 Hz	4
4	3x380-415 50 Hz 3x380-460V 60 Hz	4

Product code

1	D	1	1	1	1	B	1	1
---	---	---	---	---	---	---	---	---

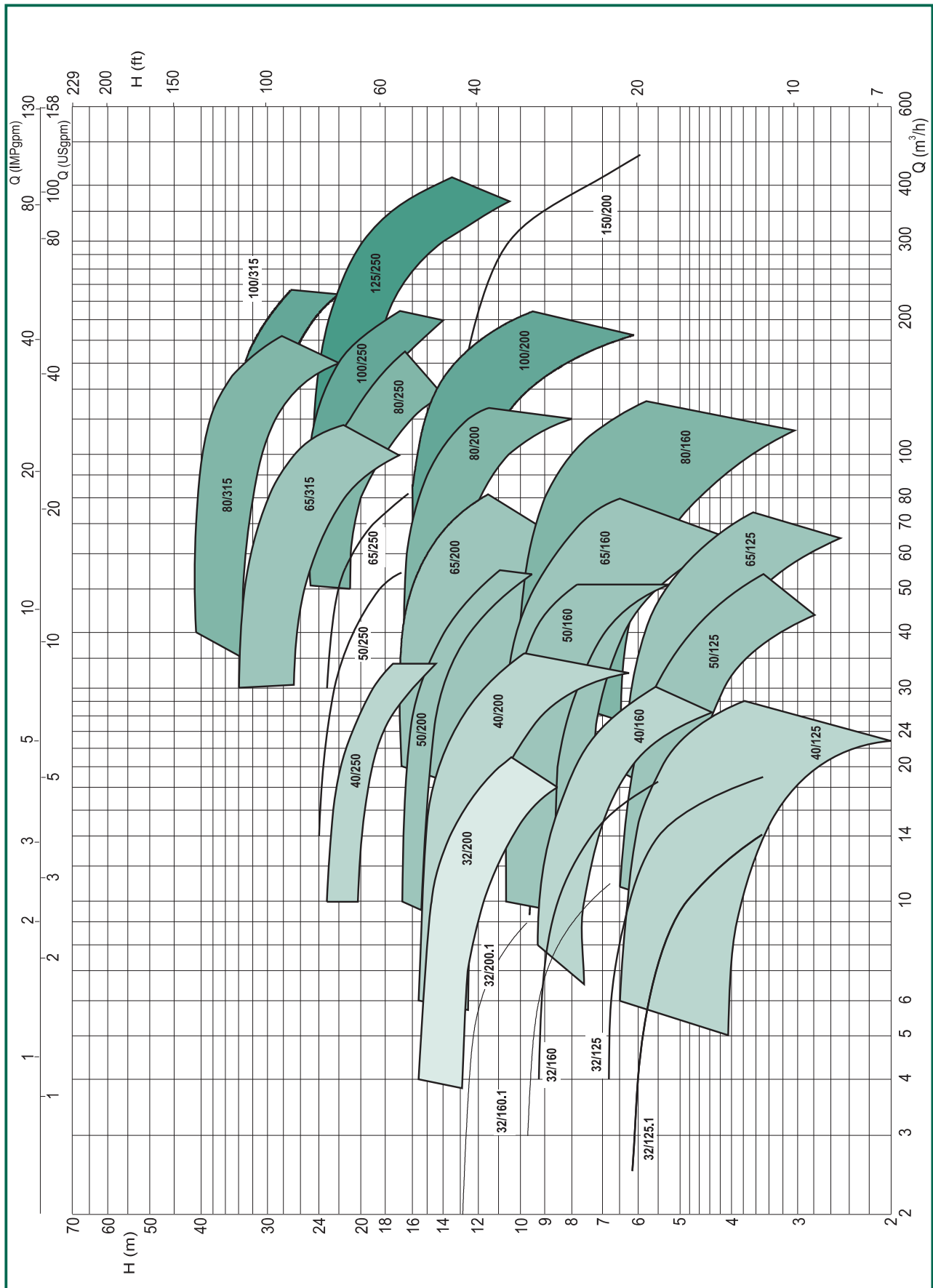
66	72	78	84	90	102	114	120	150	180	210	240	270	300	330	360	390	420
1100	1200	1300	1400	1500	1700	1900	2000	2500	3000	3500	4000	4500	5000	5500	6000	6500	7000
2.5																	
4.2	3.75																
6																	
8.2	7.4	6.6															
12.2	11.3																
14.3	13.8	12.6															
19.7	18.6	17.3															
23.6	22.7	21.5	20.2	19													
31.5	30.7	29.8	29	28	25	21.7											
5.3	5	4.7	4.5	4.25	3.65	3											
7.4	7.2	6.9	6.65	6.3	5.7	4.9	4.6										
9.5	9.25	9	8.8	8.6	7.9	7.2	6.7										
12.7	12.4	12	11.7	11.3	10.4	9.3	8.7										
16.1	16	15.7	15.4	15	14.3	13.3	12.7										
20	19.9	19.8	19.5	19	18	16.7	16										
25	24.8	24.6	24.2	24	23	21.5	21										
32.6	32.5	32.4	32	31.6	30.5	29.5	28.9	24									
36.6	36.5	36.5	36.5	36.1	35.5	34.5	34	29.5									
40.7	40.6	40.6	40.4	40.2	39.8	39	38.5	34.8	29								
12.6	12.5	12.5	12.4	12.3	12	11.5	11.4	10.1	8.5								
15.4	15.3	15.2	15.1	15	14.7	14.5	14.3	13.3	11.6	9.8							
21	21	21	21	21	20.9	20	19.8	18	16								
25.5	25.5	25.3	25.1	25.1	25	24.5	24	22.5	20.5	17.5							
			31.5	31.4	31	30.5	28.8	26	23								
			35.5	35.2	35	34.6	33.2	31	28	24							
					19.3	19.3	19.2	19.2	18.7	17.8	16.8	15.5	14.1	12.5	10.9		
					21.8	21.8	21.7	21.6	21.3	20.5	19.5	18.5	17.2	15.6	14	12	
					24.4	24.2	24.1	24	23.5	22.9	22	21	19.8	18.5	16.7	15	
					13.1	13	13	12.8	12.5	12.1	11.5	11	10.4	9.7	9	8	7

PERFORMANCE RANGE

GRAPHICAL SELECTION TABLE

The performance curves are based on the kinematic viscosity values = 1 mm²/s and density equal to 1000 kg/m³. Curve tolerance according to ISO 9906.

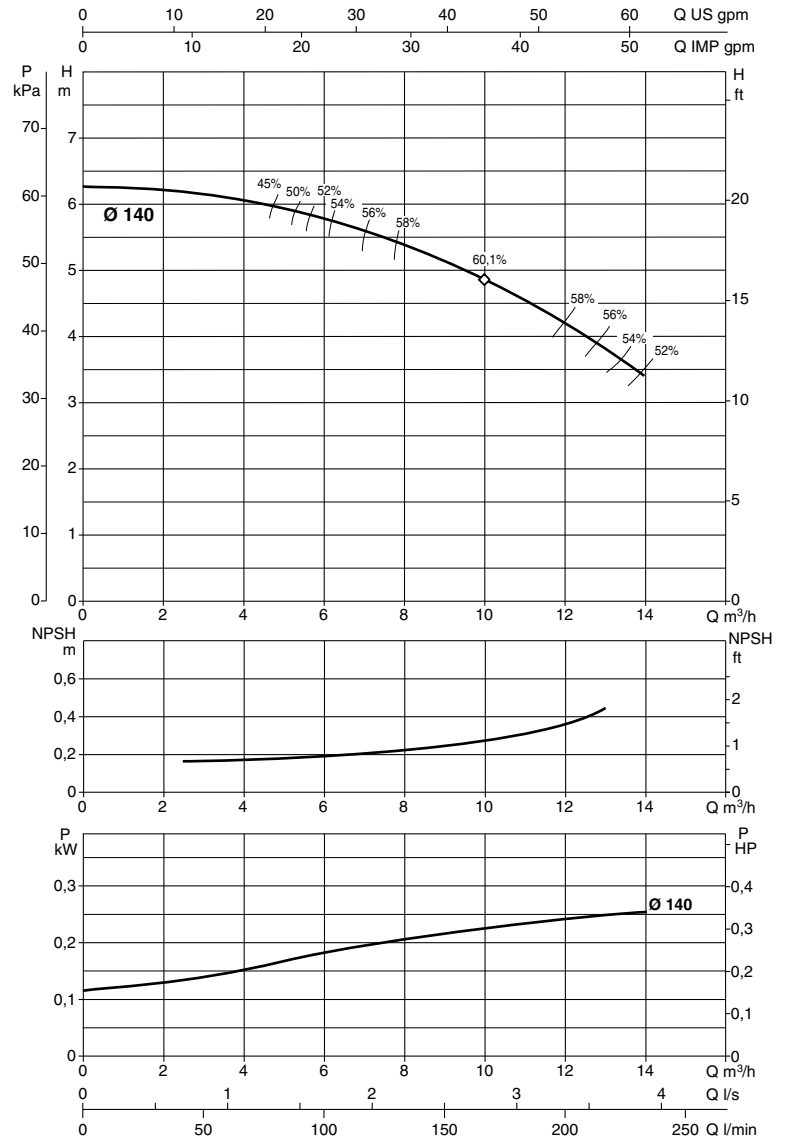
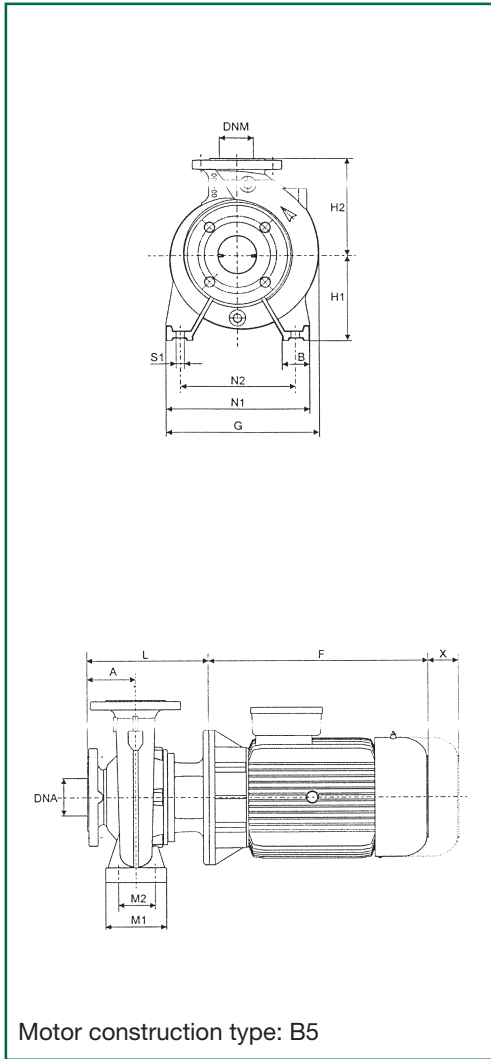
1450 1/min



Liquid temperature range: from -10°C to +140°C
 Maximum ambient temperature: +40°C

NKM-G 32-125.1

≅ 1450 1/min



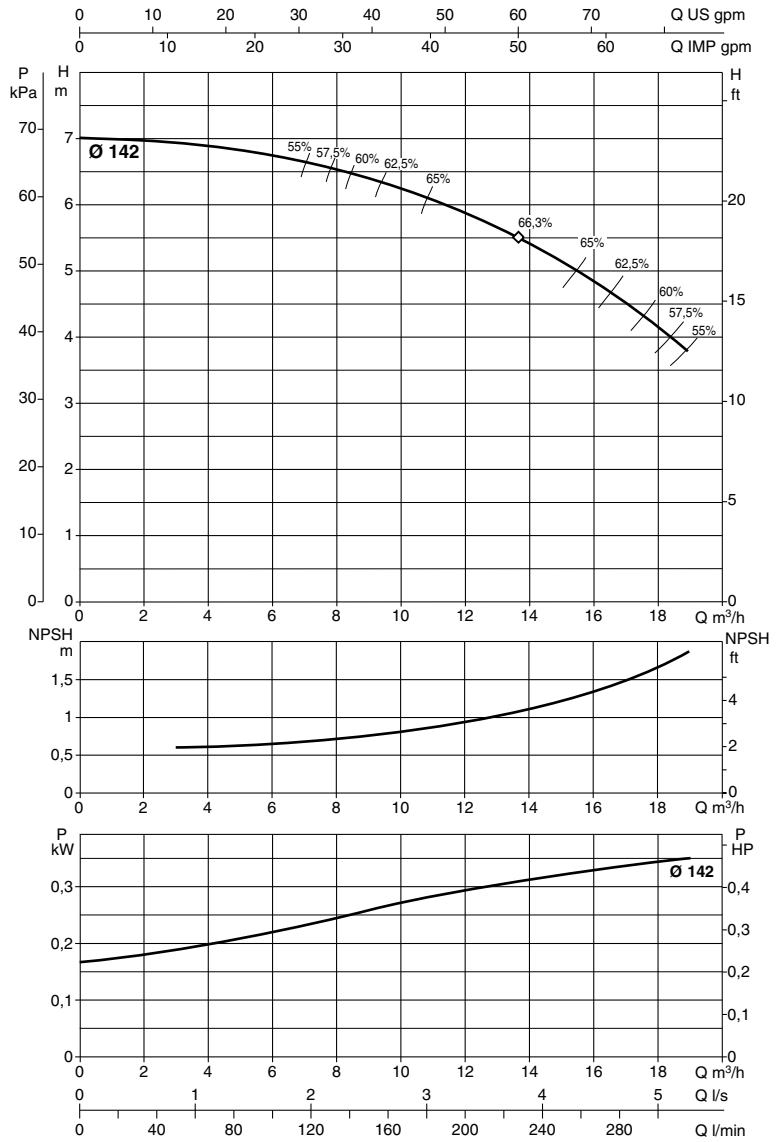
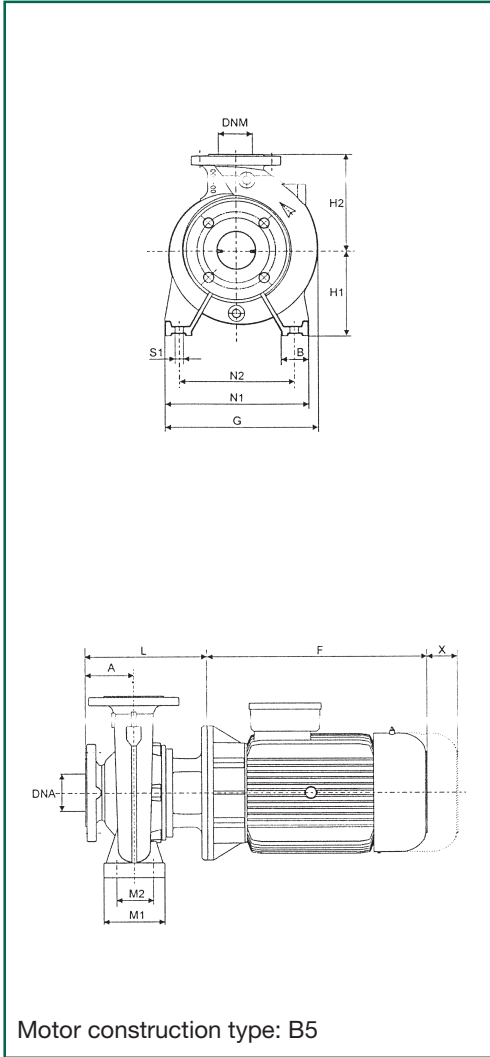
MODEL	DNA	DNM	A	B	E	F	G	H1	H2	L	M1	M2	N1	N2	S1	W	X	Ø (mm) Mech. seal	PACKING DIMENSIONS			Vol.	Weight Kg
																			A	B	H		
NKM-G 32-125.1/140/0.25/4	50	32	80	50	-	208	234	112	140	201	100	70	190	140	M10	-	100	28	620	370	480	0,110	32

MODEL	ELECTRICAL DATA				HYDRAULIC DATA					
	MOTOR SIZE	Voltage	P2 Nominal kW	HP	In A	Q m³/h l/min	0	6	12	18
NKM-G 32-125.1/140/0.25/4	MEC 71	230/400 V	0.25	0.33	1.2-0.7	H (m)	6.2	5.8	4.2	-

Liquid temperature range: from -10°C to +140°C
 Maximum ambient temperature: +40°C

NKM-G 32-125

≅ 1450 1/min



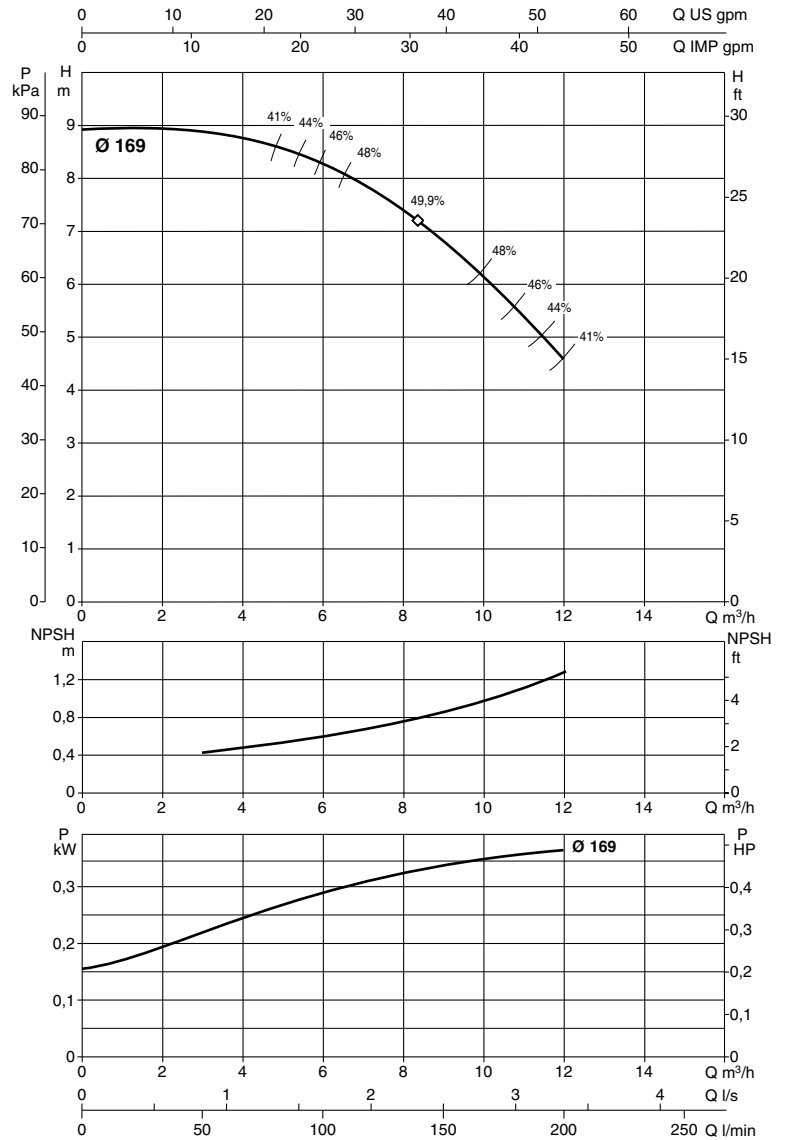
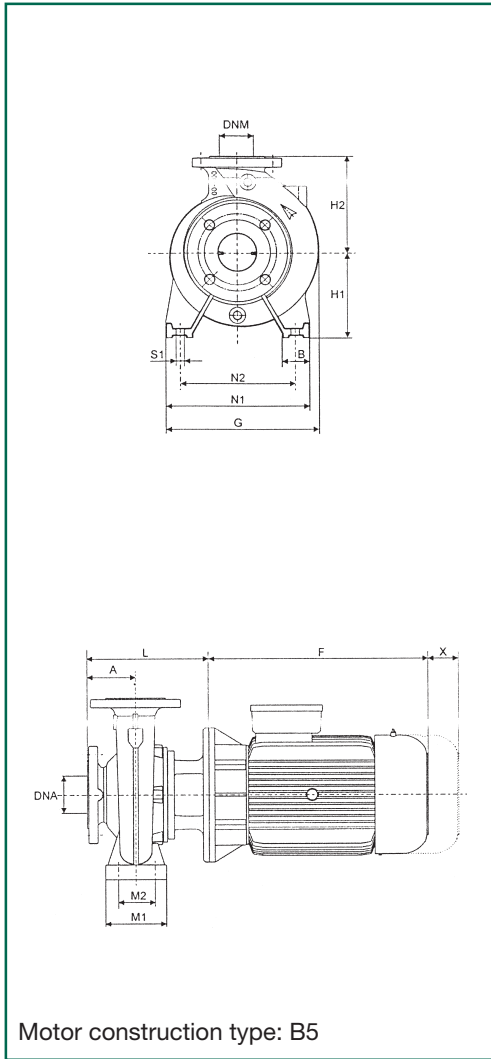
MODEL	DNA	DNM	A	B	E	F	G	H1	H2	L	M1	M2	N1	N2	S1	W	X	Ø (mm) Mech. seal	PACKING DIMENSIONS			Vol.	Weight Kg
																			A	B	H		
NKM-G 32-125/142/ 0.37/4	50	32	80	50	-	208	234	112	140	201	100	70	190	140	M10	-	100	28	620	370	480	0,110	35

MODEL	ELECTRICAL DATA				HYDRAULIC DATA					
	MOTOR SIZE	Voltage	P2		Q	0	6	12	18	
			Nominal kW	HP						m³/h l/min
NKM-G 32-125/142/ 0.37/4	MEC 71	230/400 V	0.37	0.5	2-1.18	H (m)	7	6.75	5.85	4.2

Liquid temperature range: from -10°C to +140°C
 Maximum ambient temperature: +40°C

NKM-G 32-160.1

≅ 1450 1/min



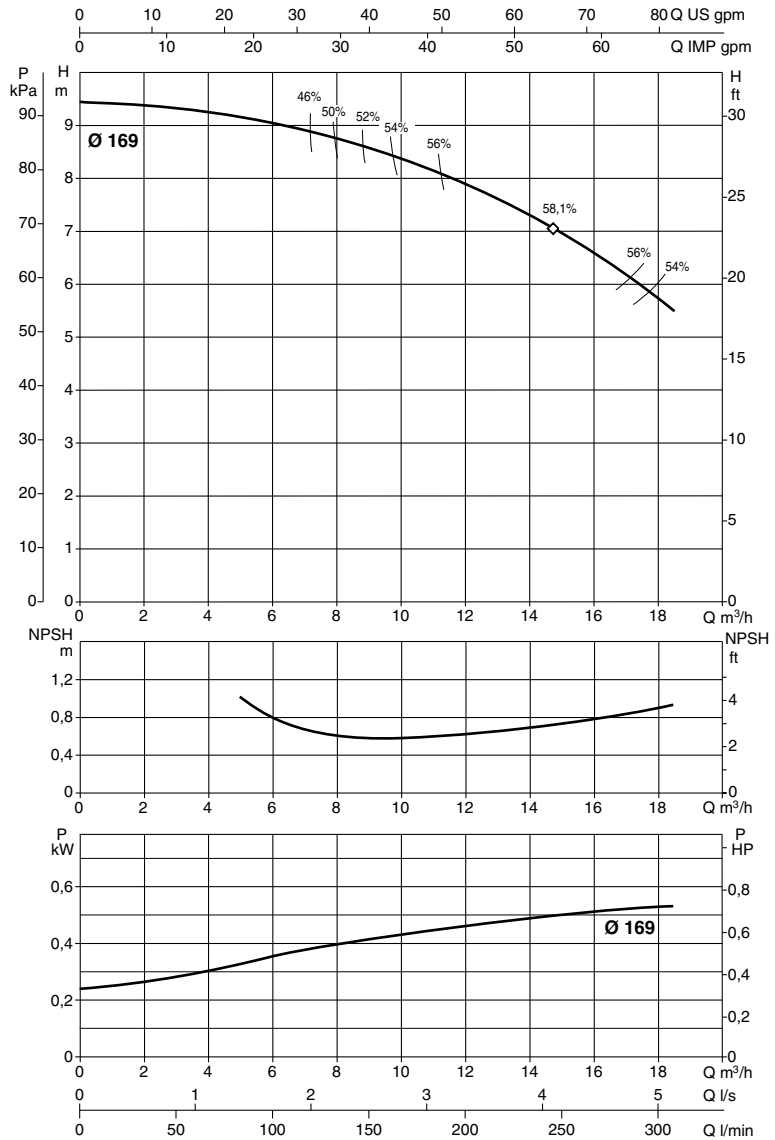
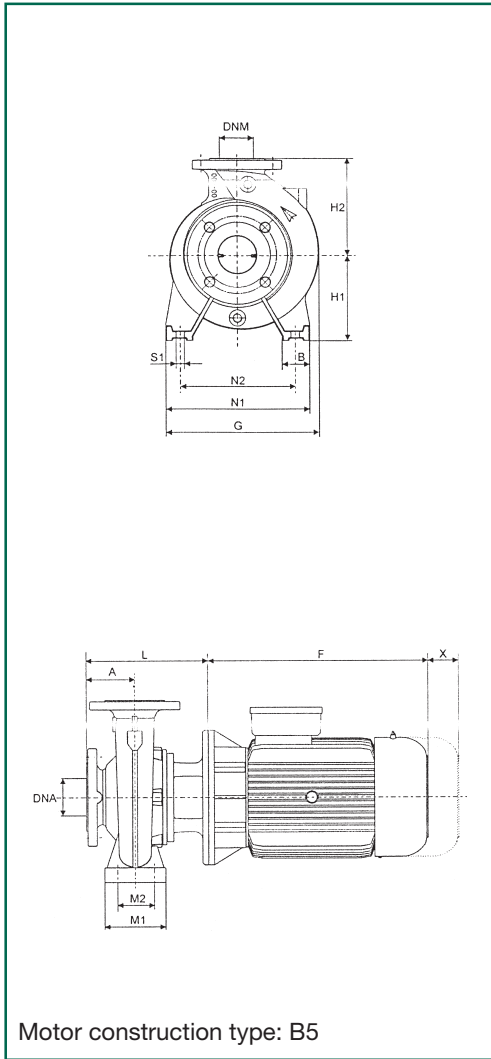
MODEL	DNA	DNM	A	B	E	F	G	H1	H2	L	M1	M2	N1	N2	S1	W	X	Ø (mm) Mech. seal	PACKING DIMENSIONS			Vol.	Weight Kg
																			A	B	H		
NKM-G 32-160.1/169/0.37/4	50	32	80	50	-	208	245	132	160	201	100	70	240	190	M10	-	100	28	620	370	480	0,110	34

MODEL	ELECTRICAL DATA				HYDRAULIC DATA					
	MOTOR SIZE	Voltage	P2 Nominal kW	HP	In A	Q m³/h l/min	0	6	12	18
NKM-G 32-160.1/169/0.37/4	MEC 71	230/400 V	0.37	0.5	2-1.18	H (m)	8.9	8.2	4.6	-

Liquid temperature range: from -10°C to +140°C
 Maximum ambient temperature: +40°C

NKM-G 32-160

≅ 1450 1/min



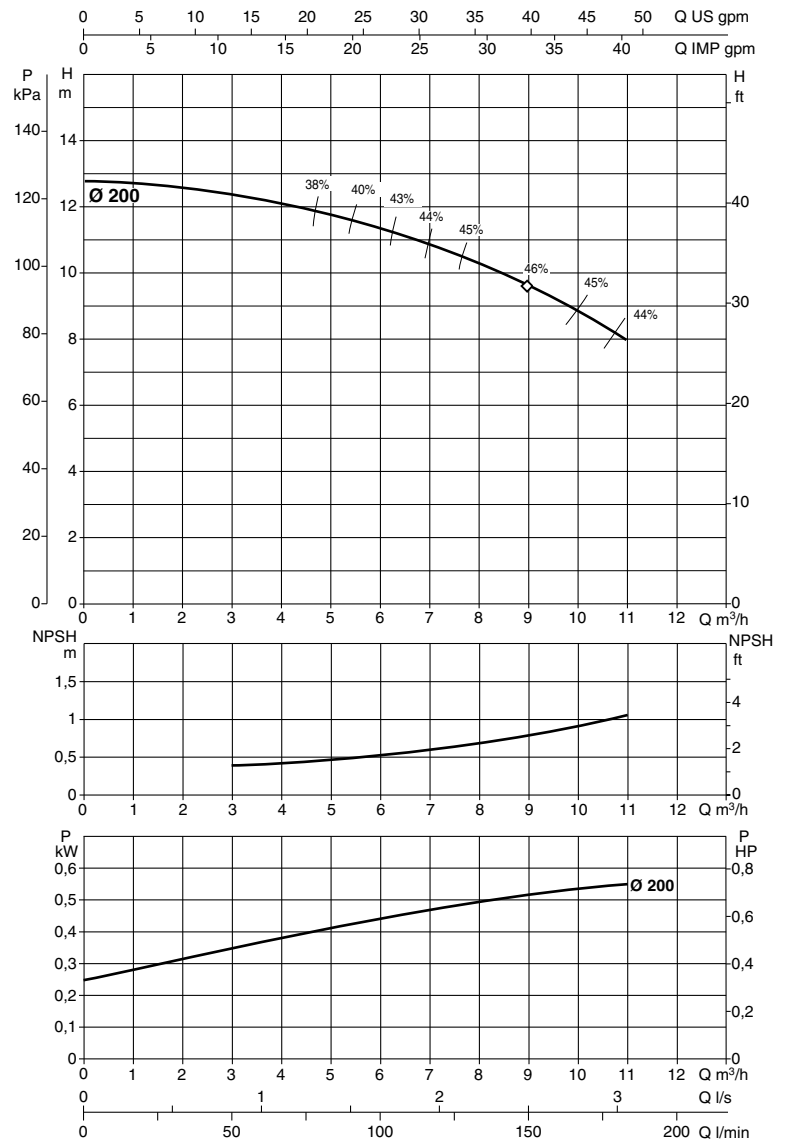
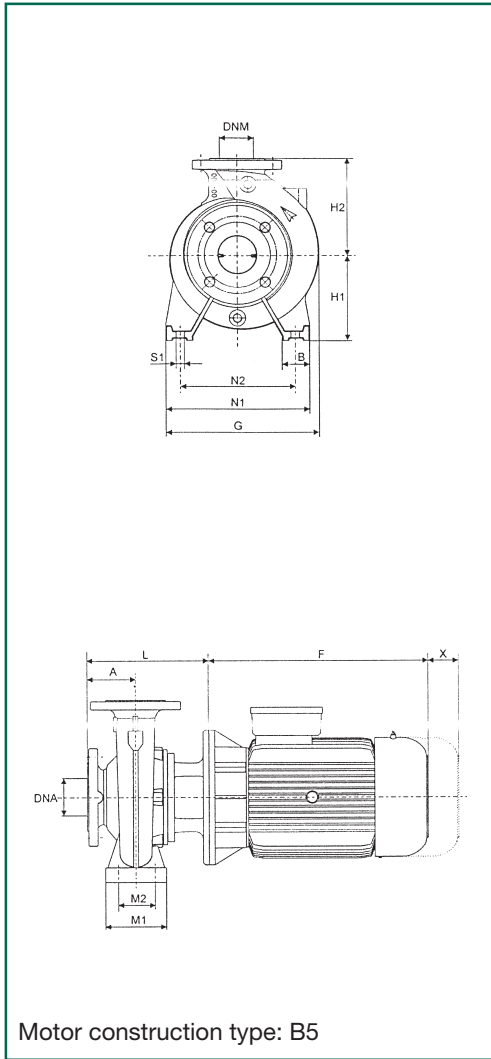
MODEL	DNA	DNM	A	B	E	F	G	H1	H2	L	M1	M2	N1	N2	S1	W	X	Ø (mm) Mech. seal	PACKING DIMENSIONS			Vol.	Weight Kg
																			A	B	H		
NKM-G 32-160/169/0,55/4	50	32	80	50	-	234	245	132	160	226	100	70	240	190	M10	-	100	28	620	370	480	0,110	42

MODEL	ELECTRICAL DATA				HYDRAULIC DATA					
	MOTOR SIZE	Voltage	P2		Q	0	6	12	18	
			Nominal kW	HP						m³/h
NKM-G 32-160/169/0,55/4	MEC 80	230/400 V	0.55	0.75	2.8-1.6	H (m)	9.4	9	8.8	5.6

Liquid temperature range: from -10°C to +140°C
 Maximum ambient temperature: +40°C

NKM-G 32-200.1

≅ 1450 1/min



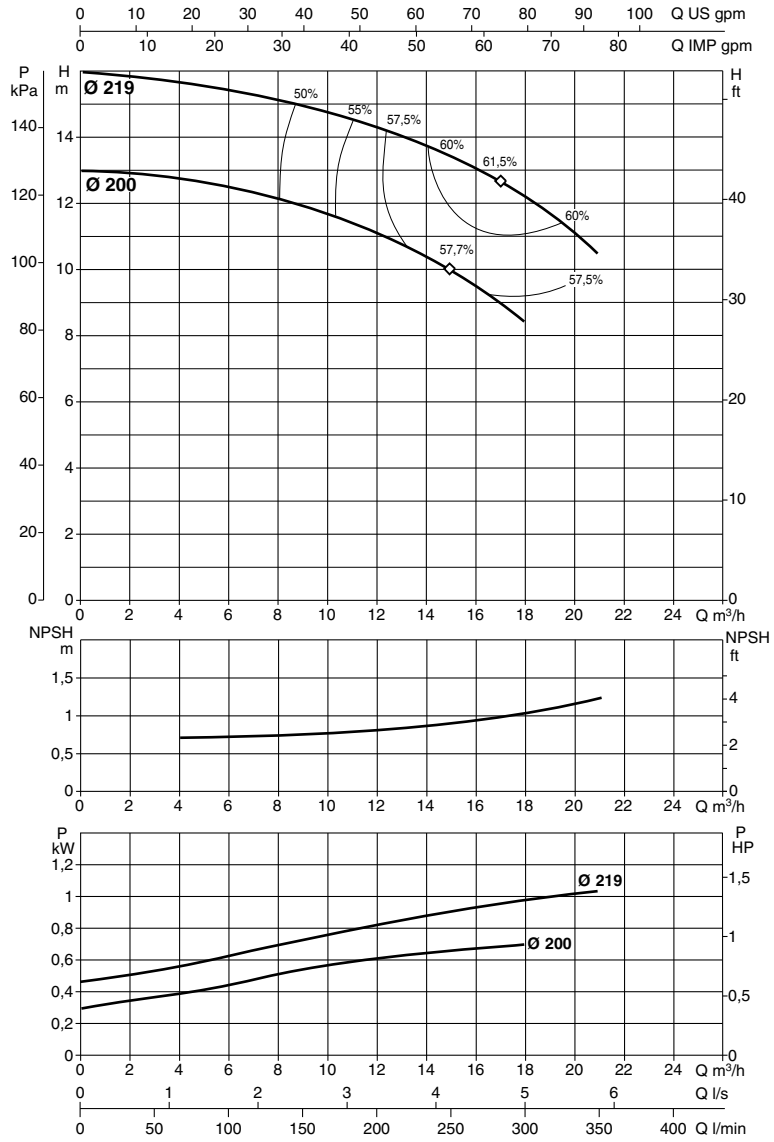
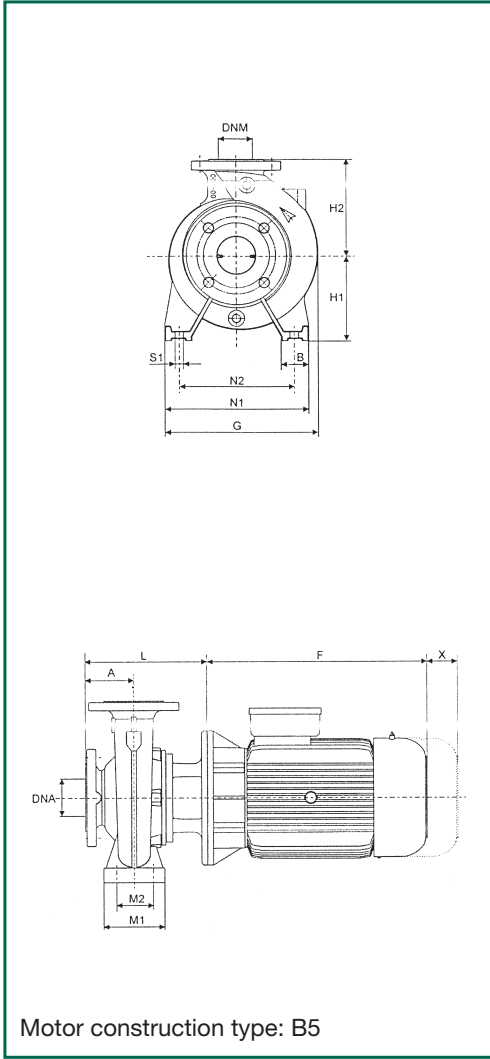
MODEL	DNA	DNM	A	B	E	F	G	H1	H2	L	M1	M2	N1	N2	S1	W	X	Ø (mm) Mech. seal	PACKING DIMENSIONS			Vol.	Weight Kg
																			A	B	H		
NKM-G 32-200.1/200/0,55/4	50	32	80	50	-	234	279	160	180	226	100	70	240	190	M10	-	100	28	620	370	480	0,110	51

MODEL	ELECTRICAL DATA				HYDRAULIC DATA					
	MOTOR SIZE	Voltage	P2 Nominal kW	HP	In A	Q m³/h l/min	0	6	12	18
NKM-G 32-200.1/200/0,55/4	MEC 80	230/400 V	0.55	0.75	2.8-1.6	H (m)	12.7	11.2	7.2	-

Liquid temperature range: from -10°C to +140°C
 Maximum ambient temperature: +40°C

NKM-G 32-200

≅ 1450 1/min



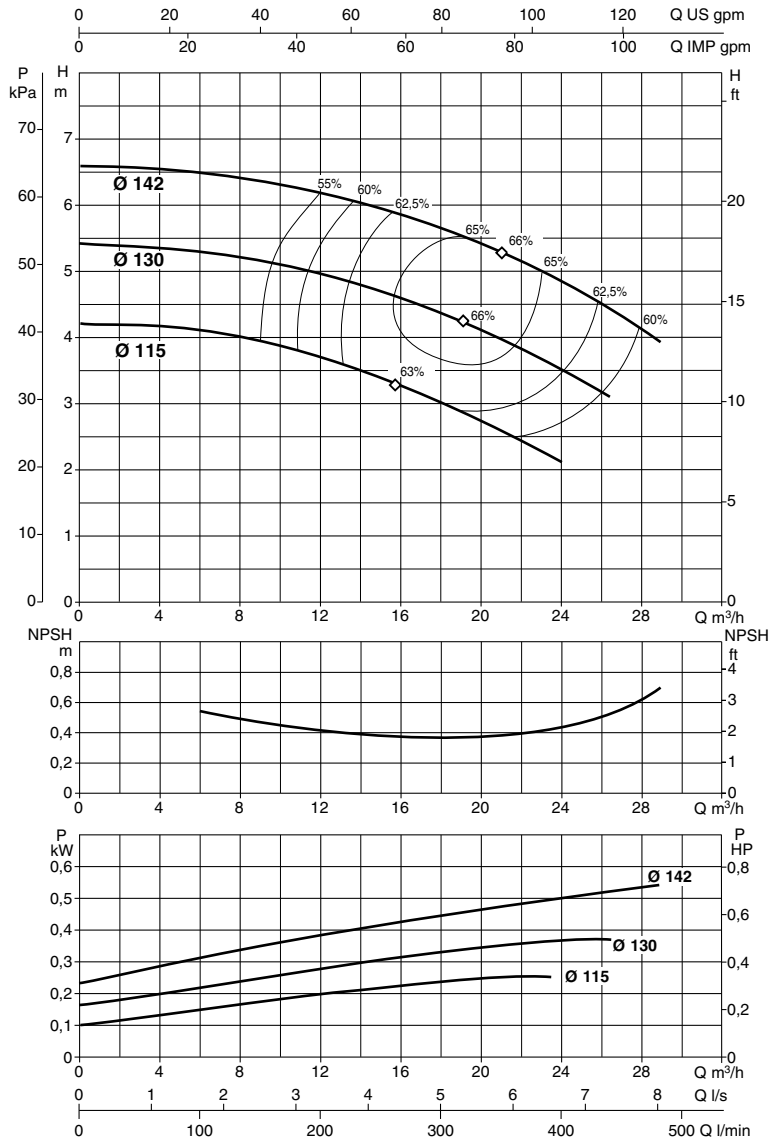
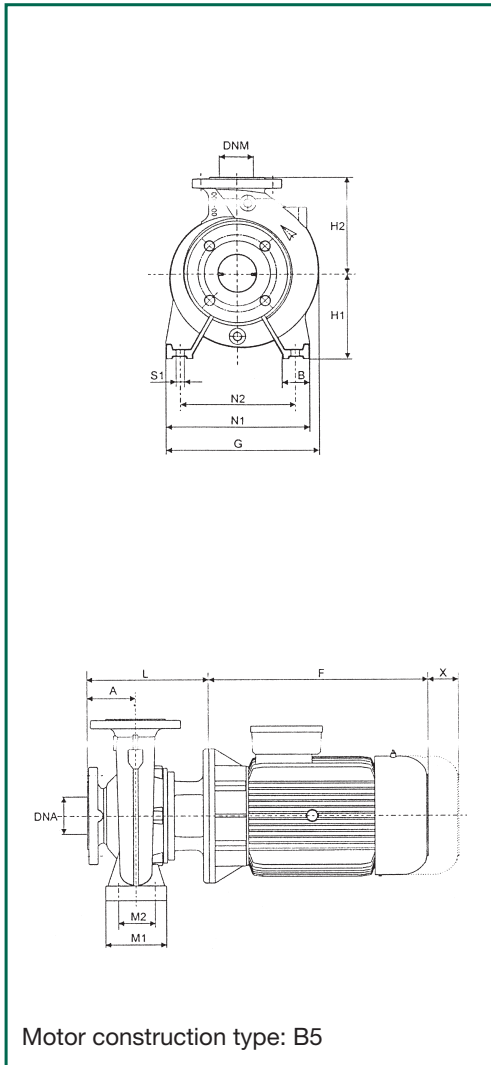
MODEL	DNA	DNM	A	B	E	F	G	H1	H2	L	M1	M2	N1	N2	S1	W	X	Ø (mm) Mech. seal	PACKING DIMENSIONS			Vol.	Weight Kg
																			A	B	H		
NKM-G 32-200/200/0,75/4	50	32	80	50	-	234	279	160	180	226	100	70	240	190	M10	-	100	28	620	370	480	0,110	56
NKM-G 32-200/219/1,1/4	50	32	80	50	-	247	279	160	180	226	100	70	240	190	M10	-	100	28	620	370	480	0,110	62

MODEL	ELECTRICAL DATA				HYDRAULIC DATA								
	MOTOR SIZE	Voltage	P2		Q	0	6	12	18	24	30	36	
			Nominal kW	HP									In A
NKM-G 32-200/200/0,75/4	MEC 80	230/400 V	0.75	1	3.8-2.2	H	13	12.5	11.1	8.45	-	-	-
NKM-G 32-200/219/1,1/4	MEC 90 S	230/400 V	1.1	1.5	5-2.9	H	16	15.4	14.3	12.2	-	-	-

Liquid temperature range: from -10°C to +140°C
 Maximum ambient temperature: +40°C

NKM-G 40-125

≅ 1450 1/min



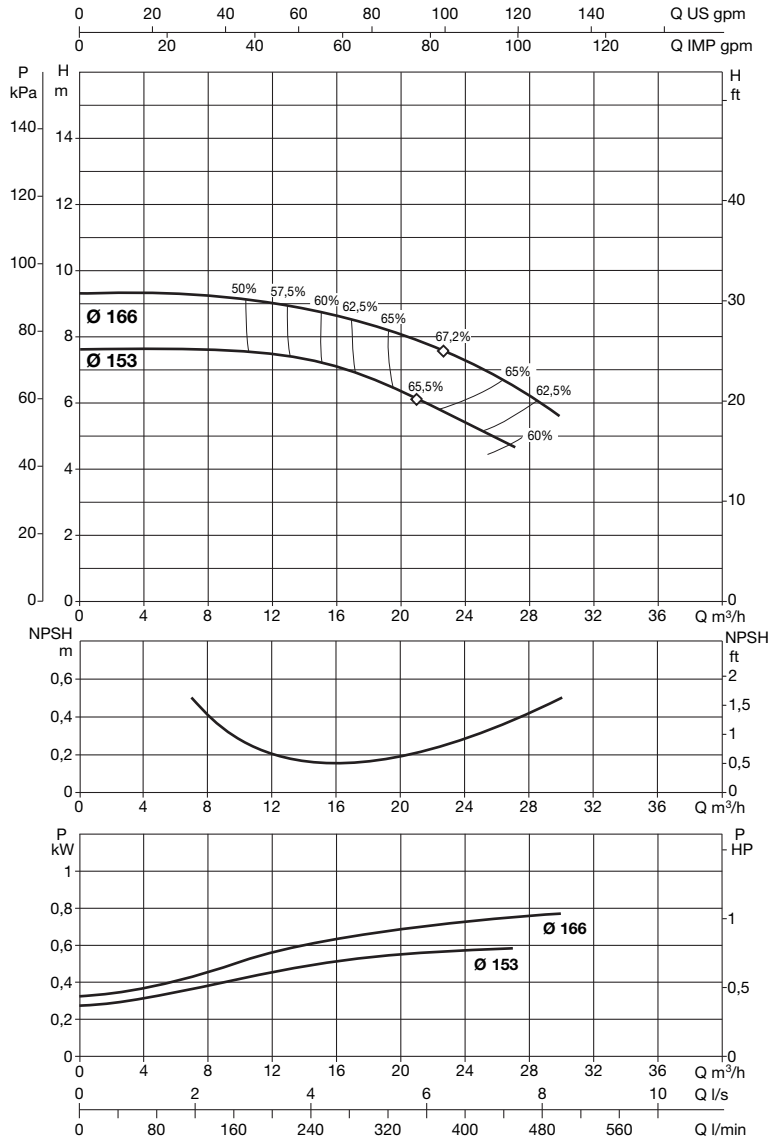
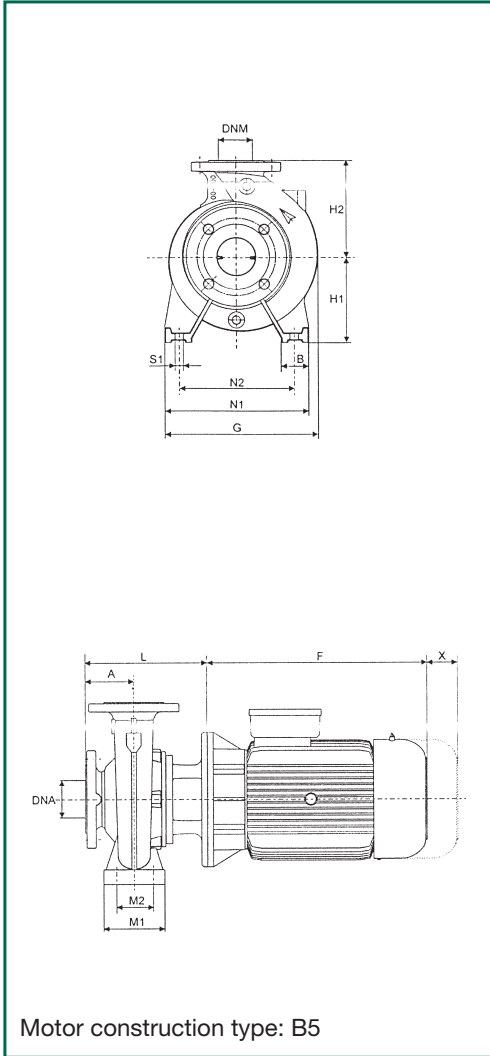
MODEL	DNA	DNM	A	B	E	F	G	H1	H2	L	M1	M2	N1	N2	S1	W	X	Ø (mm) Mech. seal	PACKING DIMENSIONS			Vol.	Weight Kg
																			A	B	H		
NKM-G 40-125/115/ 0.25/4	65	40	80	50	-	208	235	112	140	201	100	70	210	160	M10	-	100	28	620	370	480	0,110	37
NKM-G 40-125/130/ 0.37/4	65	40	80	50	-	208	235	112	140	201	100	70	210	160	M10	-	100	28	620	370	480	0,110	40
NKM-G 40-125/142/ 0.55/4	65	40	80	50	-	234	235	112	140	201	100	70	210	160	M10	-	100	28	620	370	480	0,110	47

MODEL	ELECTRICAL DATA				HYDRAULIC DATA								
	MOTOR SIZE	Voltage	P2		In A	Q							
			Nominal kW	HP		0 l/min	6 100	12 200	18 300	24 400	30 500	36 600	
NKM-G 40-125/115/ 0.25/4	MEC 71	230/400 V	0.25	0.33	1.2-0.7	H (m)	4.2	4.1	3.7	3	2.1	-	-
NKM-G 40-125/130/ 0.37/4	MEC 71	230/400 V	0.37	0.5	2-1.18		5.4	5.3	5	4.4	3.5	-	-
NKM-G 40-125/142/ 0.55/4	MEC 80	230/400 V	0.55	0.75	2.9-1.7		6.6	6.5	6.2	5.7	4.8	-	-

Liquid temperature range: from -10°C to +140°C
 Maximum ambient temperature: +40°C

NKM-G 40-160

≅ 1450 1/min



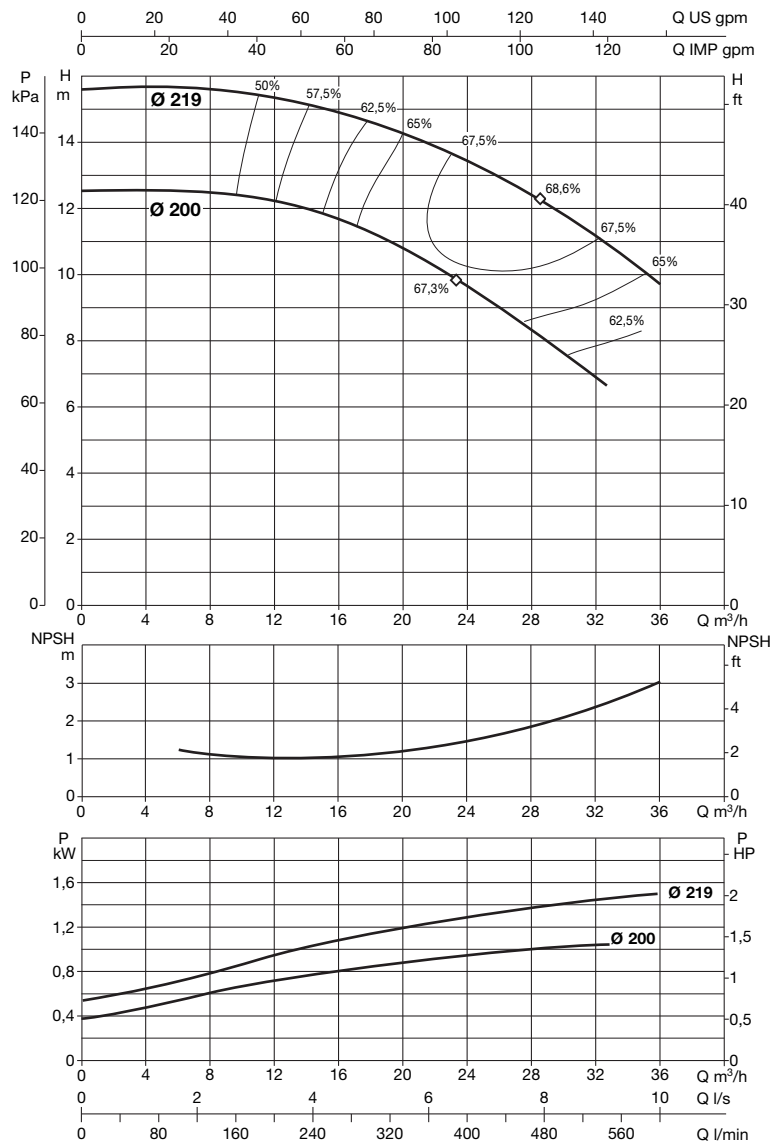
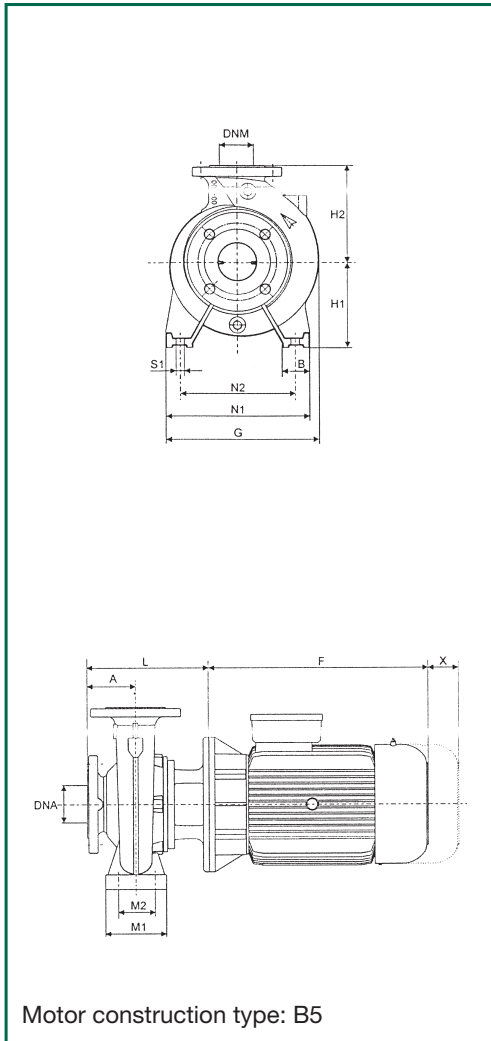
MODEL	DNA	DNM	A	B	E	F	G	H1	H2	L	M1	M2	N1	N2	S1	W	X	Ø (mm) Mech. seal	PACKING DIMENSIONS			Vol.	Weight Kg
																			A	B	H		
NKM-G 40-160/153/ 0.55/4	65	40	80	50	-	234	253	132	160	226	100	70	240	190	M10	-	100	28	620	370	480	0,110	48
NKM-G 40-160/166/ 0.75/4	65	40	80	50	-	234	253	132	160	226	100	70	240	190	M10	-	100	28	620	370	480	0,110	50

MODEL	ELECTRICAL DATA					HYDRAULIC DATA							
	MOTOR SIZE	Voltage	P2		In A	Q m³/h	0	6	12	18	24	30	36
			Nominal kW	HP									
NKM-G 40-160/153/ 0.55/4	MEC 80	230/400 V	0.55	0.75	2.8-1.6	H (m)	7.6	7.6	7.5	6.7	5.5	-	-
NKM-G 40-160/166/ 0.75/4	MEC 80	230/400 V	0.75	1	3.8-2.2	H (m)	9.2	9.2	9	8.4	7.4	5.7	-

Liquid temperature range: from -10°C to +140°C
 Maximum ambient temperature: +40°C

NKM-G 40-200

≈ 1450 1/min



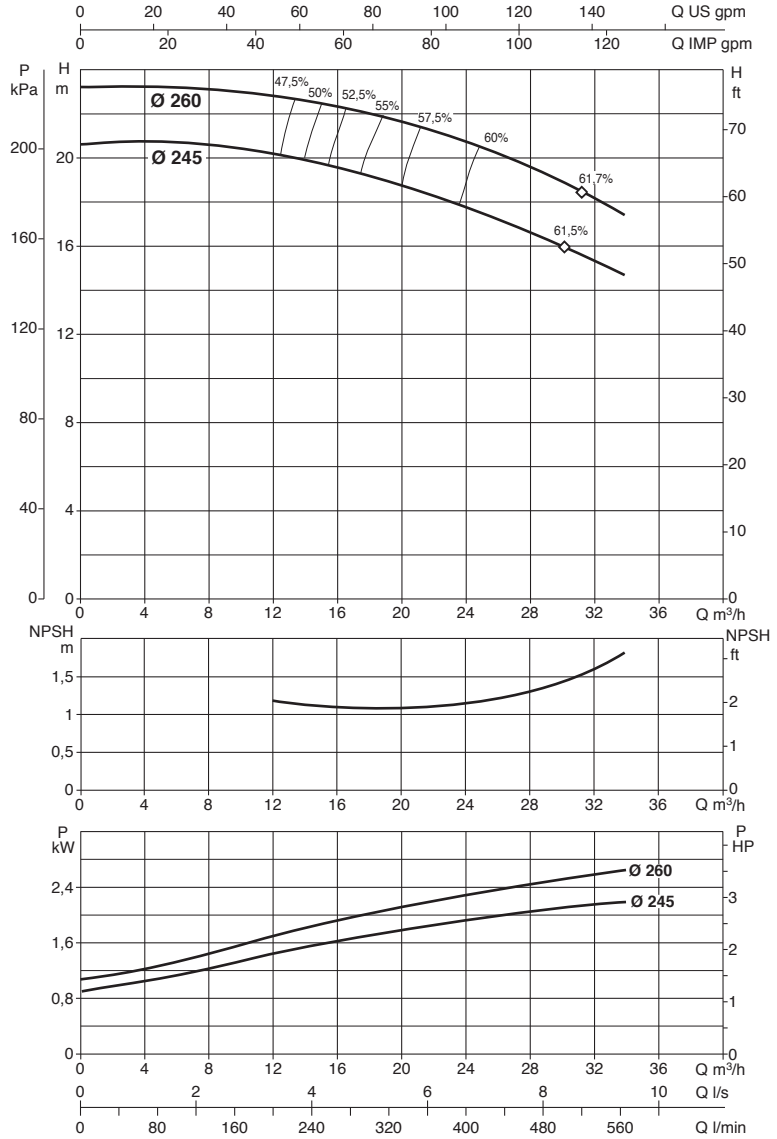
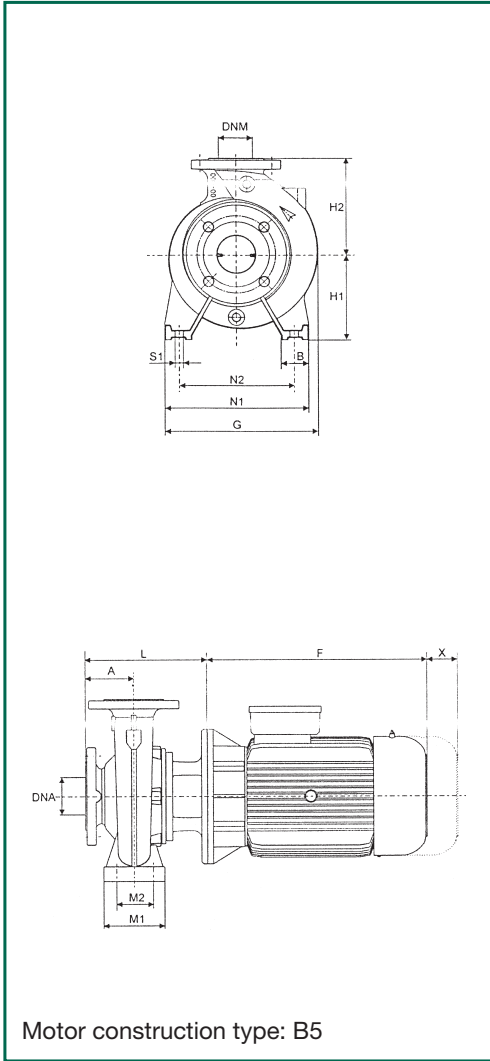
MODEL	DNA	DNM	A	B	E	F	G	H1	H2	L	M1	M2	N1	N2	S1	W	X	Ø (mm) Mech. seal	PACKING DIMENSIONS			Vol.	Weight Kg
																			A	B	H		
NKM-G 40-200/200/1,1/4	65	40	100	50	-	247	296	160	180	246	100	70	265	212	M10	-	100	28	620	370	480	0,110	64
NKM-G 40-200/219/1,5/4	65	40	100	50	-	272	296	160	180	246	100	70	265	212	M10	-	100	28	620	370	480	0,110	66

MODEL	ELECTRICAL DATA				HYDRAULIC DATA								
	MOTOR SIZE	Voltage	P2 Nominal kW	HP	In A	Q m³/h	0	6	12	18	24	30	36
NKM-G 40-200/200/1,1/4	MEC 90 S	230/400 V	1.1	1.5	4.7-2.7	H (m)	12.5	12.5	12.3	11.2	9.7	7.7	-
NKM-G 40-200/219/1,5/4	MEC 90 L	230/400 V	1.5	2	6.2-3.6	H (m)	15.6	15.6	15.3	14.7	13.4	11.8	9.8

Liquid temperature range: from -10°C to +140°C
 Maximum ambient temperature: +40°C

NKM-G 40-250

≅ 1450 1/min



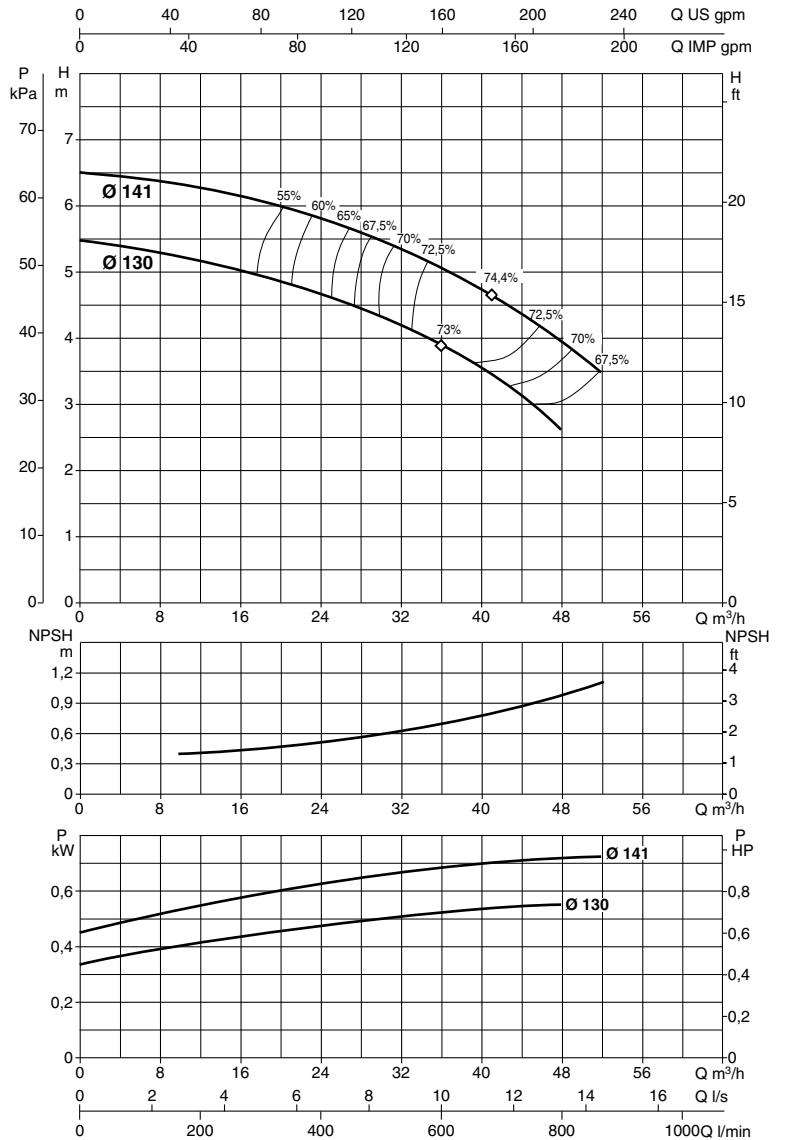
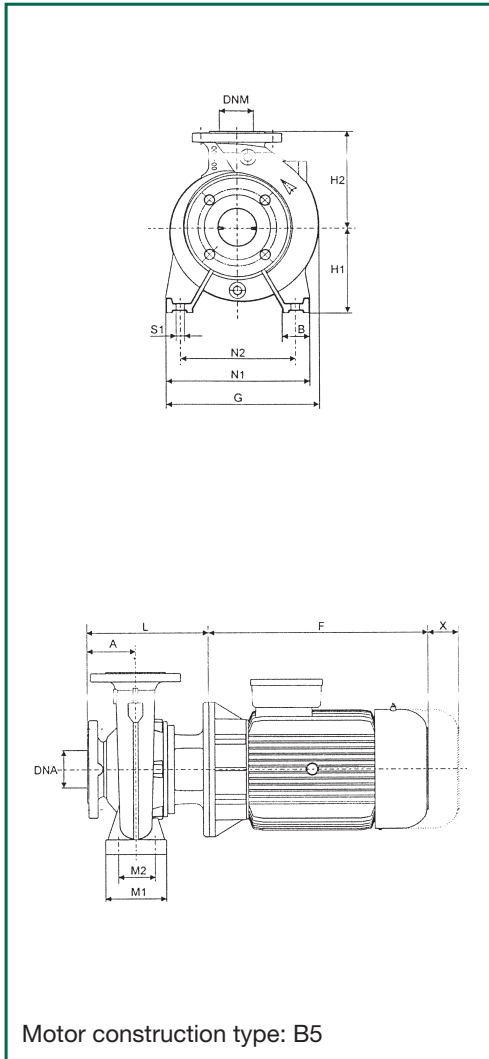
MODEL	DNA	DNM	A	B	E	F	G	H1	H2	L	M1	M2	N1	N2	S1	W	X	Ø (mm) Mech. seal	PACKING DIMENSIONS			Vol.	Weight Kg
																			A	B	H		
NKM-G 40-250/245/2,2 /4	65	40	100	65	-	301	336	180	225	274	125	95	320	250	M10	-	100	28	670	420	540	0,152	85
NKM-G 40-250/260/3 /4	65	40	100	65	-	301	336	180	225	274	125	95	320	250	M10	-	100	28	670	420	540	0,152	89

MODEL	ELECTRICAL DATA					HYDRAULIC DATA							
	MOTOR SIZE	Voltage	P2		In A	Q m³/h l/min	0	6	12	18	24	30	36
			Nominal kW	HP									
NKM-G 40-250/245/2,2 /4	MEC 100 L	230/400 V	2.2	3	9.3-5.4	H (m)	20.6	20.5	20.1	19.2	17.8	16	-
NKM-G 40-250/260/3 /4	MEC 100 L	400 V Ø	3	4	6.8	H (m)	23.3	23.1	22.8	22.2	20.8	19	-

Liquid temperature range: from -10°C to +140°C
 Maximum ambient temperature: +40°C

NKM-G 50-125

≅ 1450 1/min



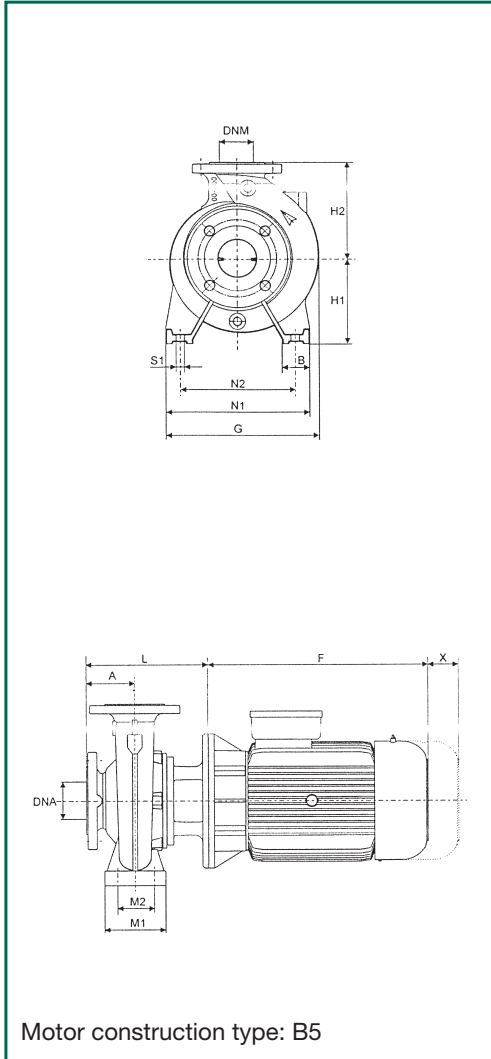
MODEL	DNA	DNM	A	B	E	F	G	H1	H2	L	M1	M2	N1	N2	S1	W	X	Ø (mm) Mech. seal	PACKING DIMENSIONS			Vol.	Weight Kg
																			A	B	H		
NKM-G 50-125/130/0.55/4	65	50	100	50	-	234	250	132	160	246	100	70	240	190	M10	-	100	28	620	370	480	0,110	45
NKM-G 50-125/141/0.75/4	65	50	100	50	-	234	250	132	160	246	100	70	240	190	M10	-	100	28	620	370	480	0,110	51

MODEL	ELECTRICAL DATA				HYDRAULIC DATA									
	MOTOR SIZE	Voltage	P2 Nominal kW	HP	In A	Q								
						0	12	18	24	30	36	42	48	
						m³/h	0	200	300	400	500	600	700	800
NKM-G 50-125/130/0.55/4	MEC 71	230/400 V	0.55	0.75	2.9-1.7	H (m)	5.5	5.2	5	4.7	4.3	3.9	3.3	2.6
NKM-G 50-125/141/0.75/4	MEC 80	230/400 V	0.75	1	3.8-2.2		6.5	6.3	6.1	5.8	5.5	5	4.5	3.9

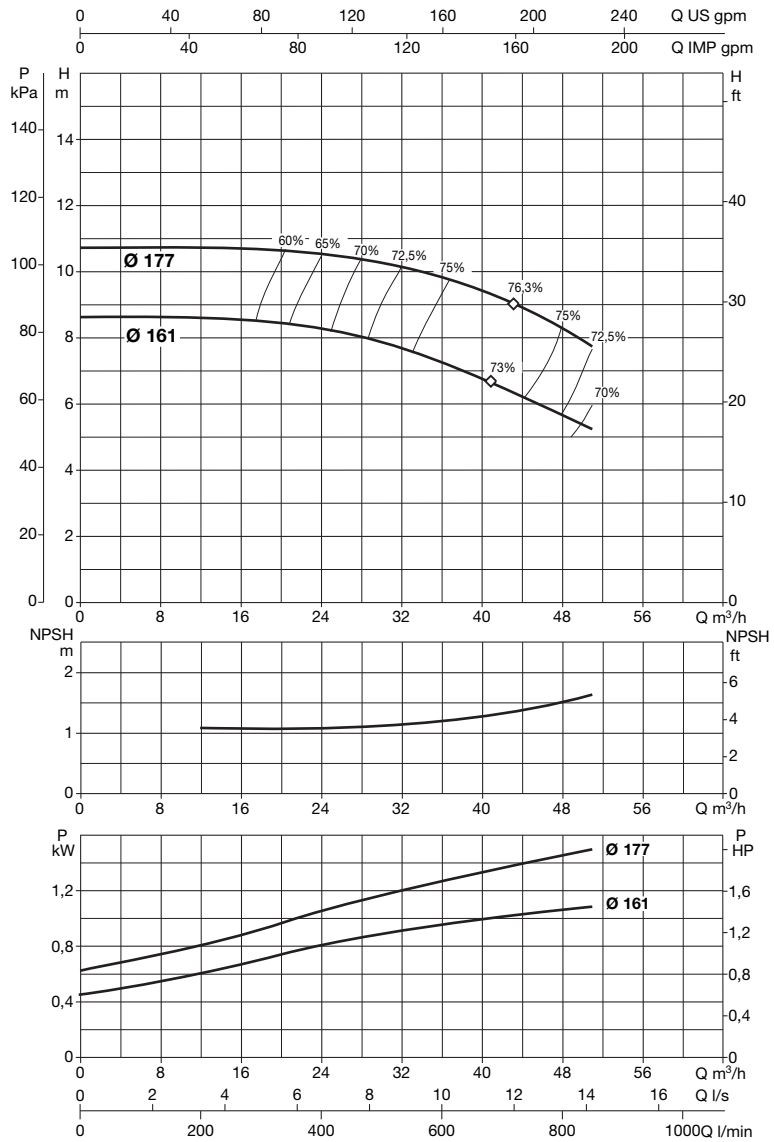
Liquid temperature range: from -10°C to +140°C
 Maximum ambient temperature: +40°C

NKM-G 50-160

≅ 1450 1/min



Motor construction type: B5



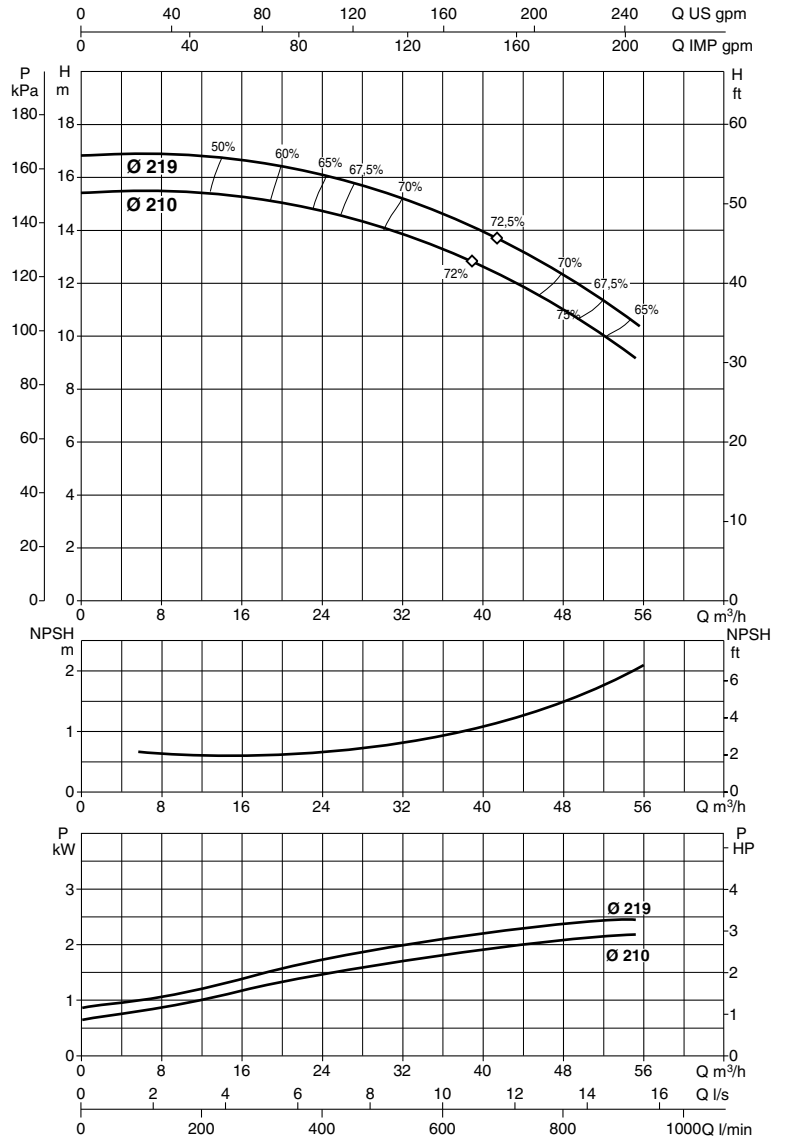
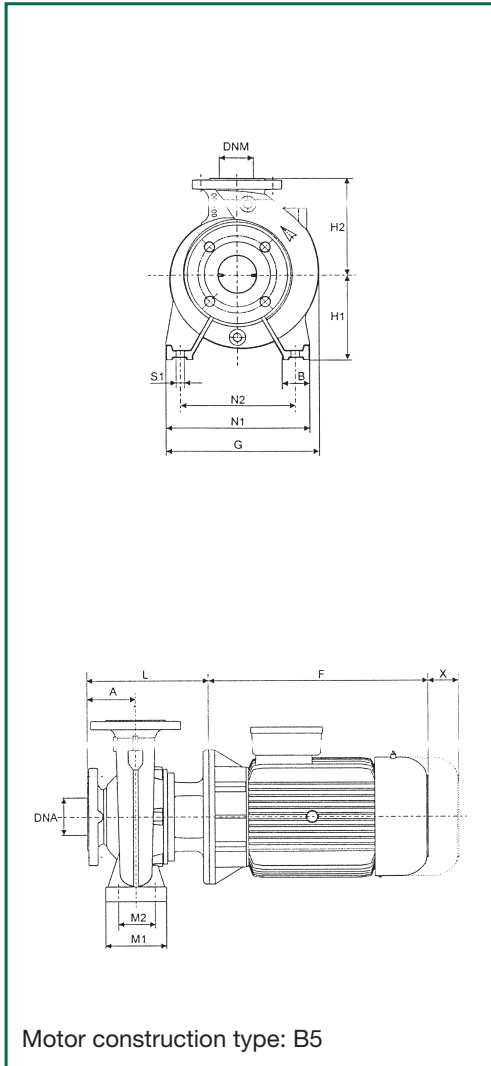
MODEL	DNA	DNM	A	B	E	F	G	H1	H2	L	M1	M2	N1	N2	S1	W	X	Ø (mm) Mech. seal	PACKING DIMENSIONS			Vol.	Weight Kg
																			A	B	H		
NKM-G 50-160/161/1.1/4	65	50	100	50	-	247	282	160	180	274	100	70	265	212	M10	-	100	28	620	370	480	0,110	58
NKM-G 50-160/177/1,5/4	65	50	100	50	-	272	282	160	180	274	100	70	265	212	M10	-	100	28	620	370	480	0,110	60

MODEL	ELECTRICAL DATA					HYDRAULIC DATA								
	MOTOR SIZE	Voltage	P2		In A	Q m³/h	0	12	18	24	30	36	42	48
			Nominal kW	HP										
NKM-G 50-160/161/1.1/4	MEC 90 S	230/400 V	1.1	1.5	4.7-2.7	H (m)	8.6	8.3	8.5	8.2	7.8	7.3	6.7	5.7
NKM-G 50-160/177/1,5/4	MEC 90 L	230/400 V	1.5	2	6.2-3.6	H (m)	10.7	10.7	10.7	10.5	10.2	9.8	9.2	8.3

Liquid temperature range: from -10°C to +140°C
 Maximum ambient temperature: +40°C

NKM-G 50-200

≅ 1450 1/min



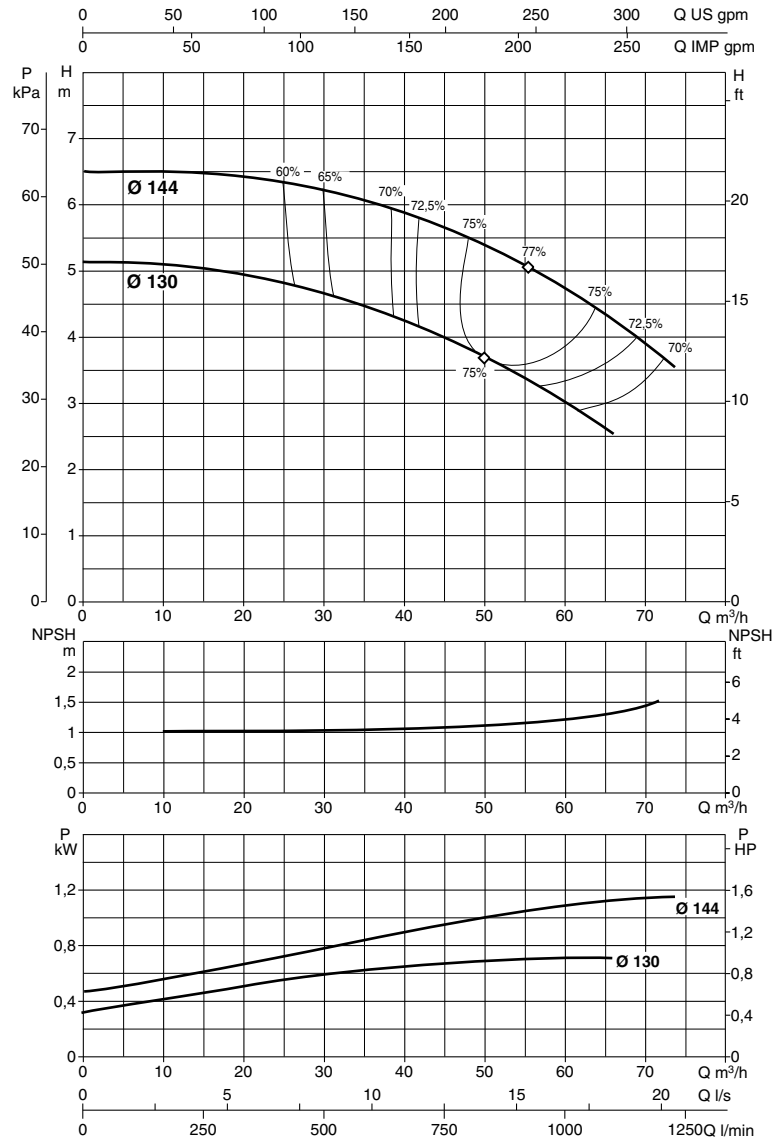
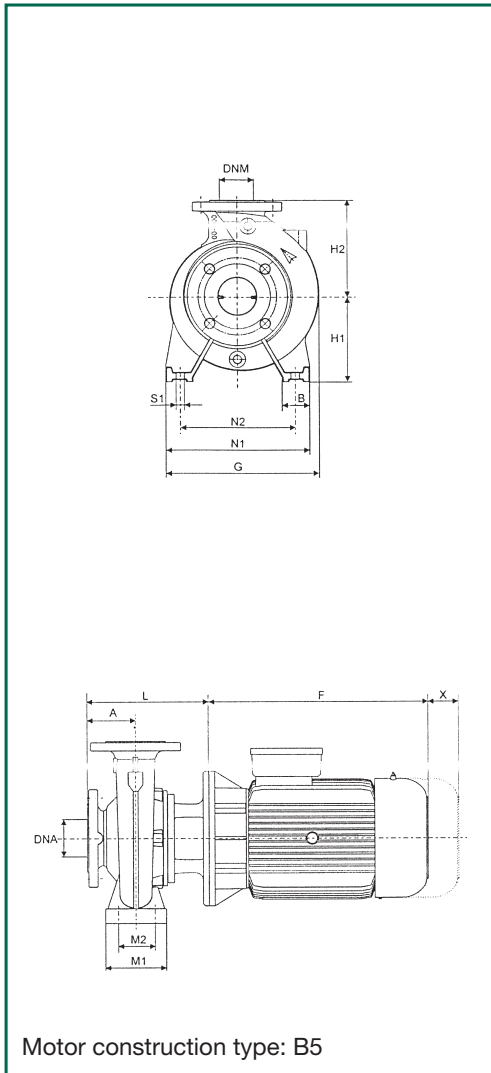
MODEL	DNA	DNM	A	B	E	F	G	H1	H2	L	M1	M2	N1	N2	S1	W	X	Ø (mm) Mech. seal	PACKING DIMENSIONS			Vol.	Weight Kg
																			A	B	H		
NKM-G 50-200/210/ 2,2 /4	65	50	100	50	-	301	302	160	200	274	100	70	265	212	M10	-	100	28	670	420	540	0,152	79
NKM-G 50-200/219/ 3 /4	65	50	100	50	-	301	302	160	200	274	100	70	265	212	M10	-	100	28	670	420	540	0,152	81

MODEL	ELECTRICAL DATA				HYDRAULIC DATA													
	MOTOR SIZE	Voltage	P2		In A	Q												
			Nominal kW	HP		0	12	18	24	30	36	42	48	54				
NKM-G 50-200/210/ 2,2 /4	MEC 100 L	230/400 V	2.2	3	9.3-5.4	H	15.3	15.3	15.2	14.8	14	13.3	12.1	10.8	9.4			
NKM-G 50-200/219/ 3 /4	MEC 100 L	400 V Ø	3	4	6.8	(m)	16.8	16.8	16.5	16.1	15.5	14.6	13.6	12.4	10.9			

Liquid temperature range: from -10°C to +140°C
 Maximum ambient temperature: +40°C

NKM-G 65-125

≅ 1450 1/min



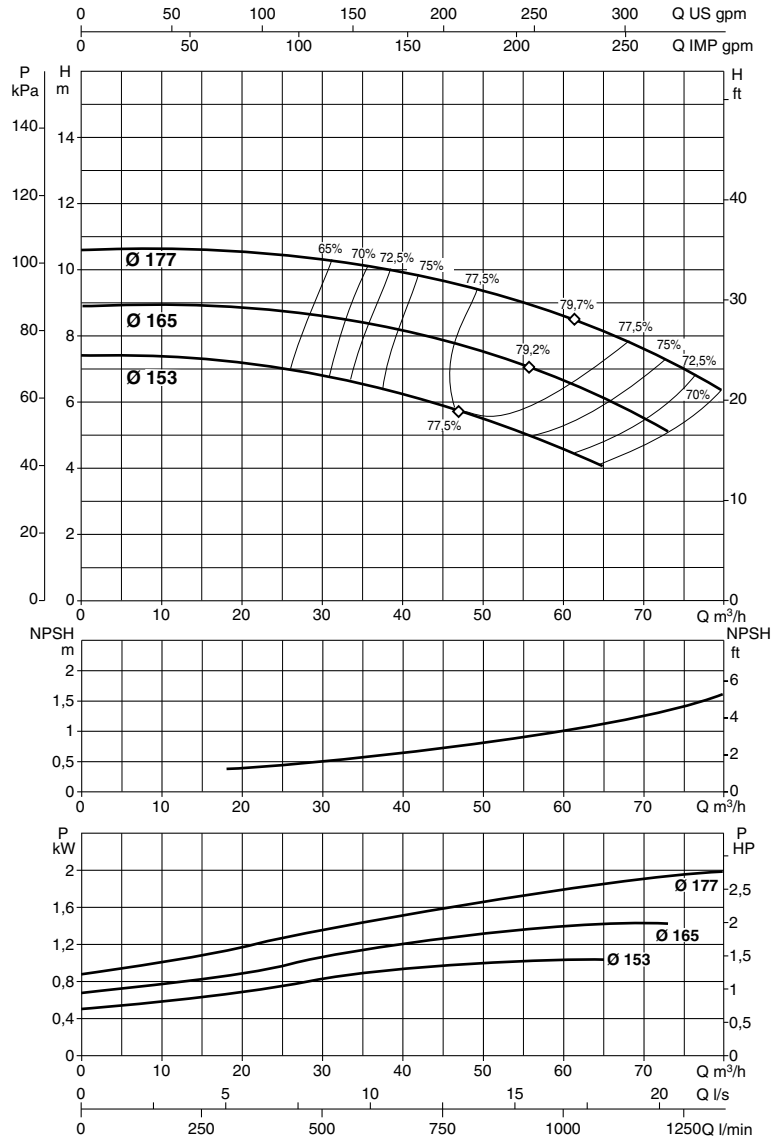
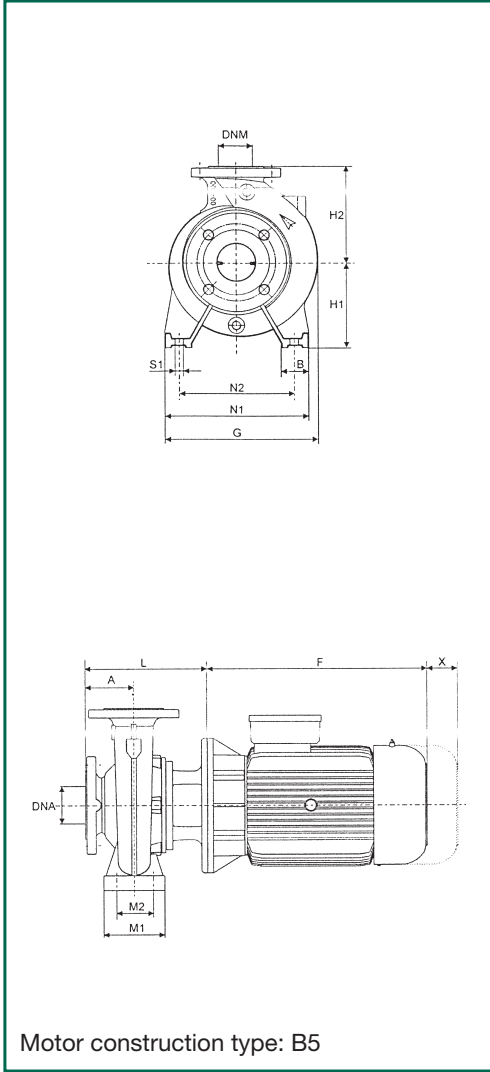
MODEL	DNA	DNM	A	B	E	F	G	H1	H2	L	M1	M2	N1	N2	S1	W	X	Ø (mm) Mech. seal	PACKING DIMENSIONS			Vol.	Weight Kg
																			A	B	H		
NKM-G 65-125/130/0.75/4	80	65	100	65	-	234	286	160	180	246	125	95	280	212	M10	-	100	28	620	370	480	0,110	55
NKM-G 65-125/144/1.1/4	80	65	100	65	-	247	286	160	180	246	125	95	280	212	M10	-	100	28	620	370	480	0,110	61

MODEL	ELECTRICAL DATA					HYDRAULIC DATA												
	MOTOR SIZE	Voltage	P2 Nominal kW	HP	In A	Q												
						0	18	30	36	42	54	60	66	78				
NKM-G 65-125/130/0.75/4	MEC 80	230/400 V	0.75	1	3.8-2.2	H	5.1	4.8	4.7	4.4	4.2	3.4	3	2.5	-			
NKM-G 65-125/144/1.1/4						MEC 90 S	230/400 V	1.1	1.5	4.7-2.7	(m)	6.5	6.4	6.2	6	5.75	5.1	4.65

Liquid temperature range: from -10°C to +140°C
 Maximum ambient temperature: +40°C

NKM-G 65-160

≅ 1450 1/min



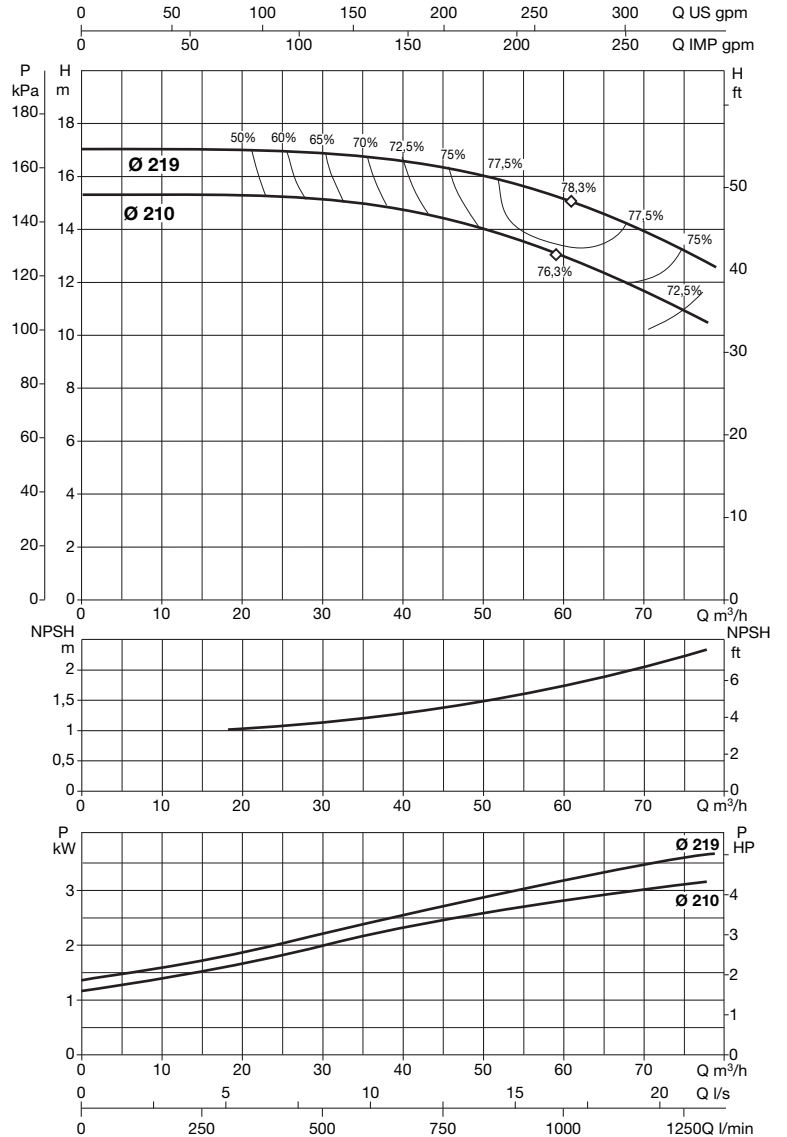
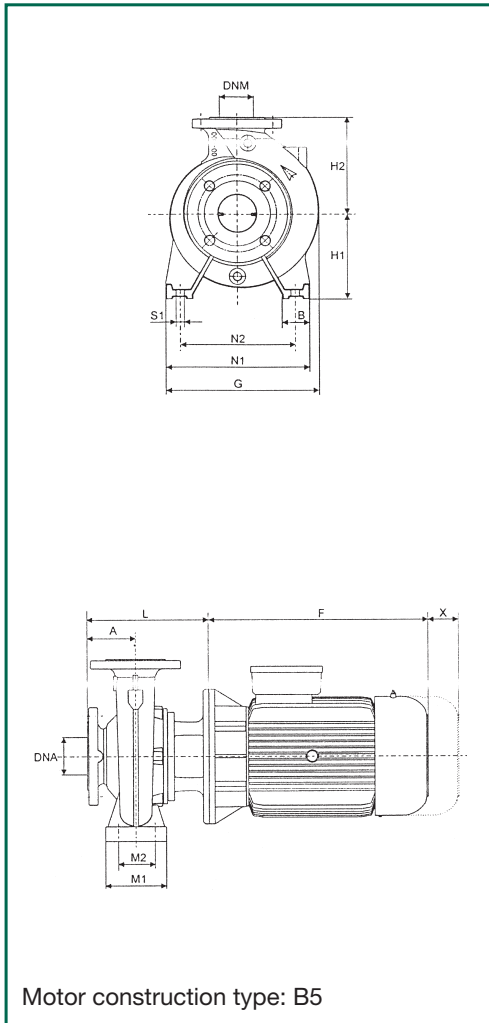
MODEL	DNA	DNM	A	B	E	F	G	H1	H2	L	M1	M2	N1	N2	S1	W	X	Ø (mm) Mech. seal	PACKING DIMENSIONS			Vol.	Weight Kg
																			A	B	H		
NKM-G 65-160/153/1,1/4	80	65	100	65	-	247	302	160	200	246	125	95	280	212	M10	-	100	28	670	420	540	0,152	63
NKM-G 65-160/165/1,5/4	80	65	100	65	-	272	302	160	200	246	125	95	280	212	M10	-	100	28	670	420	540	0,152	64
NKM-G 65-160/177/2,2/4	80	65	100	65	-	301	302	160	200	274	125	95	280	212	M10	-	100	28	670	420	540	0,152	76

MODEL	ELECTRICAL DATA				HYDRAULIC DATA											
	MOTOR SIZE	Voltage	P2 Nominal kW	HP	In A	Q m³/h	0	18	30	36	42	54	60	66	78	
						l/min	0	300	500	600	700	900	1000	1100	1300	
NKM-G 65-160/153/1,1/4	MEC 90 S	230/400 V	1.1	1.5	4.7-2.7	H (m)	7.4	7.3	6.9	6.65	6.25	5.3	4.4	-	-	
NKM-G 65-160/165/1,5/4	MEC 90 L	230/400 V	1.5	2	6.2-3.6		8.9	8.8	8.6	8.3	8	7.15	6.6	6	-	-
NKM-G 65-160/177/2,2/4	MEC 100 L	230/400 V	2.2	3	9.2-5.3		10.5	-	10.3	10.2	9.9	9.2	8.75	8.2	6.6	-

Liquid temperature range: from -10°C to +140°C
 Maximum ambient temperature: +40°C

NKM-G 65-200

≅ 1450 1/min



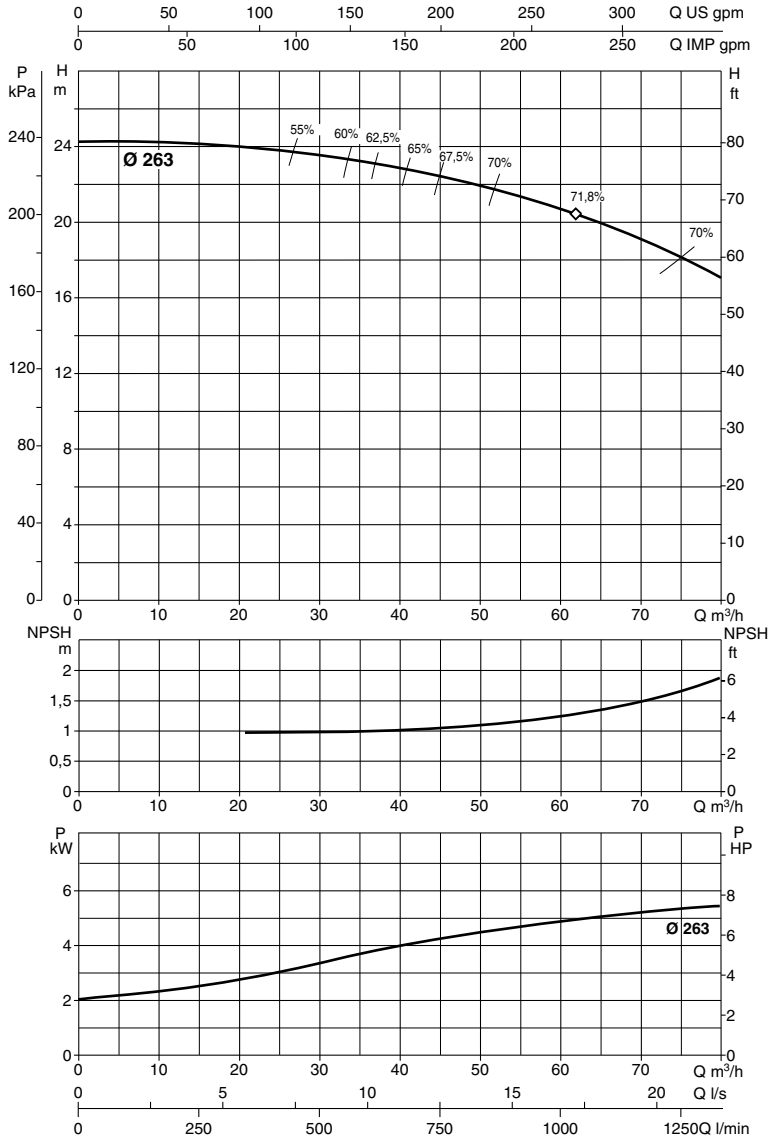
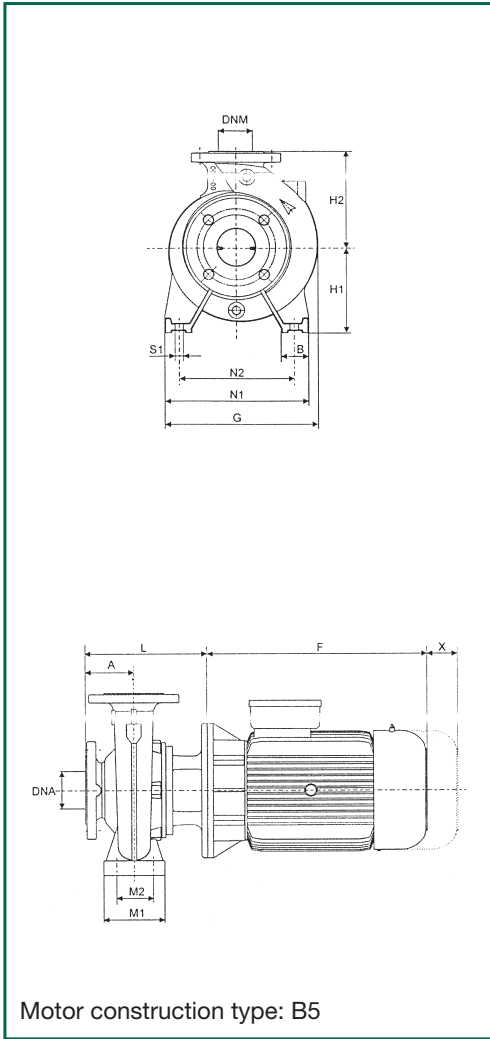
MODEL	DNA	DNM	A	B	E	F	G	H1	H2	L	M1	M2	N1	N2	S1	W	X	Ø (mm) Mech. seal	PACKING DIMENSIONS			Vol.	Weight Kg
																			A	B	H		
NKM-G 65-200/210/3 /4	80	65	100	65	-	301	333	180	225	274	125	95	320	250	M10	-	140	28	670	420	540	0,152	88
NKM-G 65-200/219/4 /4	80	65	100	65	-	301	333	180	225	274	125	95	320	250	M10	-	140	28	670	420	540	0,152	96

MODEL	ELECTRICAL DATA				HYDRAULIC DATA																		
	MOTOR SIZE	Voltage	P2		In A	Q																	
			Nominal kW	HP		0	24	36	42	54	60	66	72	78									
NKM-G 65-200/210/3 /4	MEC 100 L	400 V Ø	3	4	6.8	0	400	600	700	900	1000	1100	1200	1300	15.3	15.2	15	14.6	13.5	12.9	12.2	11.3	-
NKM-G 65-200/219/4 /4	MEC 112 M	400 V Ø	4	5.5	8.5	0	400	600	700	900	1000	1100	1200	1300	17	17	16.8	16.4	15.8	15.2	14.3	13.8	12.6

Liquid temperature range: from -10°C to +140°C
 Maximum ambient temperature: +40°C

NKM-G 65-250

≅ 1450 1/min



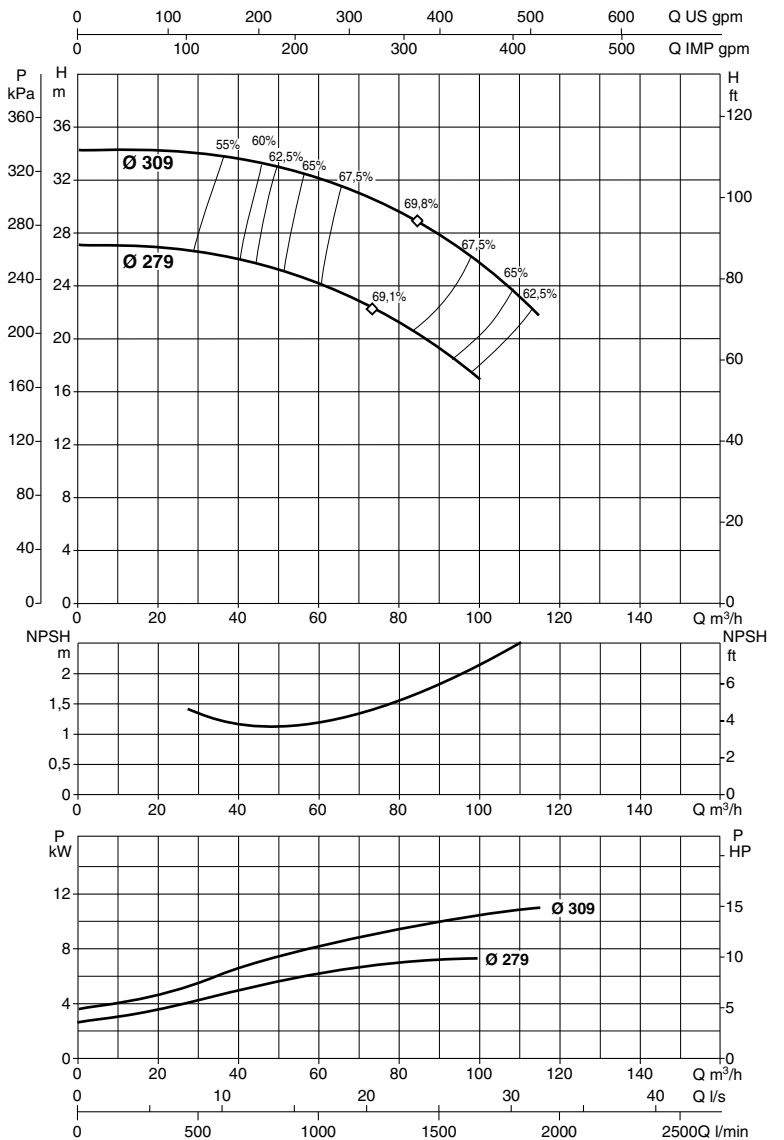
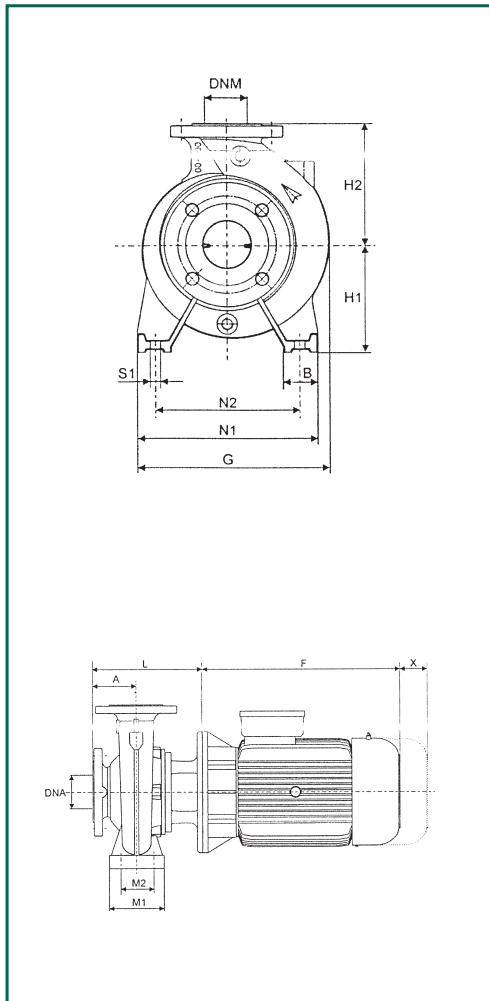
MODEL	DNA	DNM	A	B	E	F	G	H1	H2	L	M1	M2	N1	N2	S1	W	X	Ø (mm) Mech. seal	PACKING DIMENSIONS			Vol.	Weight Kg
																			A	B	H		
NKM-G 65-250/263/5,5/4	80	65	100	80	-	390	370	200	250	343	160	120	360	280	M14	-	140	38	1030	530	640	0,349	159

MODEL	ELECTRICAL DATA					HYDRAULIC DATA																		
	MOTOR SIZE	Voltage	P2 Nominal kW	HP	In A	Q																		
						0	24	30	36	42	48	54	66	78										
NKM-G 65-250/263/5,5/4	MEC132 S	400 V ∅	5.5	7.5	11.3	0	400	500	600	700	800	900	1100	1300	H (m)	24.1	23.8	23.6	23.3	22.8	22.3	21.5	19.7	17.3

Liquid temperature range: from -10°C to +140°C
 Maximum ambient temperature: +40°C

NKM-G 65-315

≅ 1450 1/min



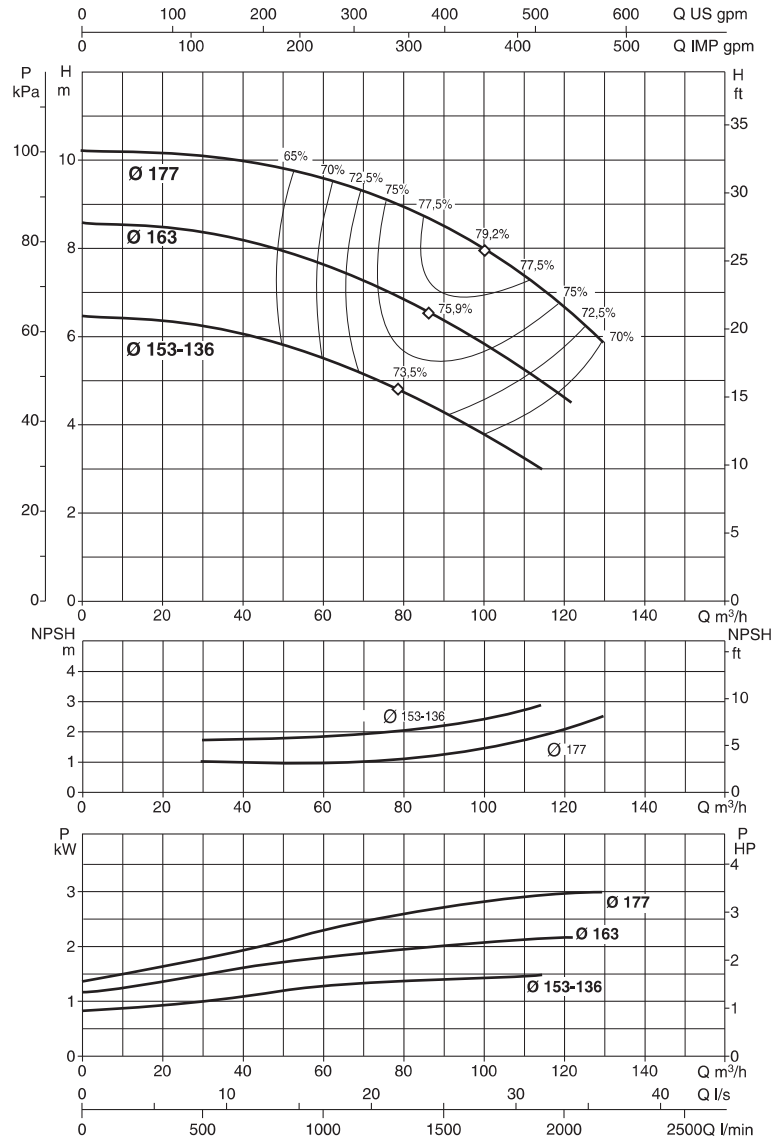
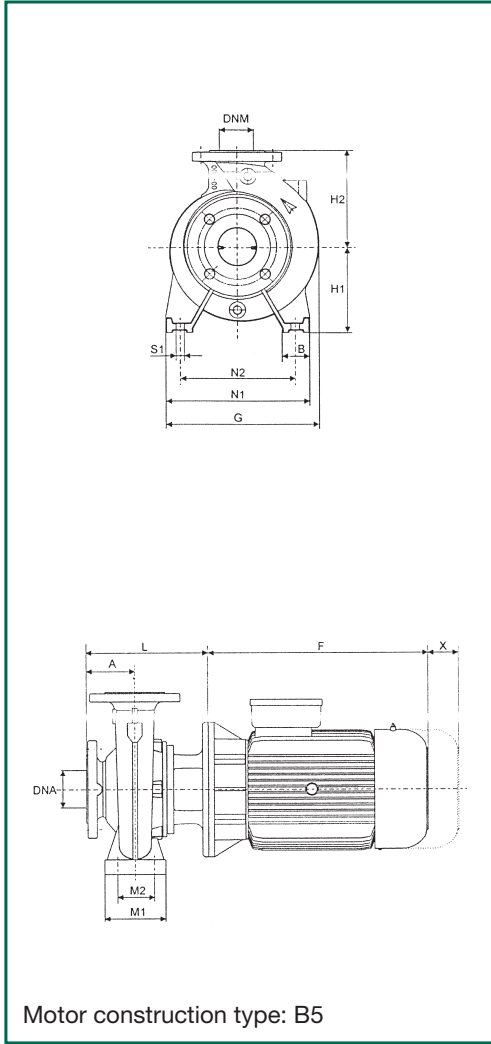
MODEL	DNA	DNM	A	B	E	F	G	H1	H2	L	M1	M2	N1	N2	N3	S1	S2	W	X	H4	Ø (mm) Mech. seal	PACKING DIMEN-			Vol.	Weight Kg
																						A	B	H		
NKM-G 65-315/279/7,5 /4	80	65	125	80	-	416	429	225	280	368	160	120	400	315	-	M14	-	-	140	-	38	1030	530	640	0,349	182
NKM-G 65-315/309/11 /4	80	65	125	80	210	460	429	225	280	398	160	120	400	315	254	M14	M12	402	140	65	38	1030	530	640	0,349	250

MODEL	ELECTRICAL DATA				HYDRAULIC DATA																				
	MOTOR SIZE	Voltage	P2 Nominal kW	HP	In A	Q m³/h	0	42	48	54	66	72	84	90	114	H (m)	27	26	25.5	25	23.6	22.7	20.2	19	-
NKM-G 65-315/279/7,5 /4	MEC 132 M	400 V Ø	7.5	10	14.7	0	0	700	800	900	1100	1200	1400	1500	1900	27	26	25.5	25	23.6	22.7	20.2	19	-	-
NKM-G 65-315/309/11 /4	MEC 160 M	400 V Ø	11	15	22	0	0	700	800	900	1100	1200	1400	1500	1900	34.2	33.2	33	32.5	31.5	30.7	29	28	21.7	-

Liquid temperature range: from -10°C to +140°C
 Maximum ambient temperature: +40°C

NKM-G 80-160

≅ 1450 1/min



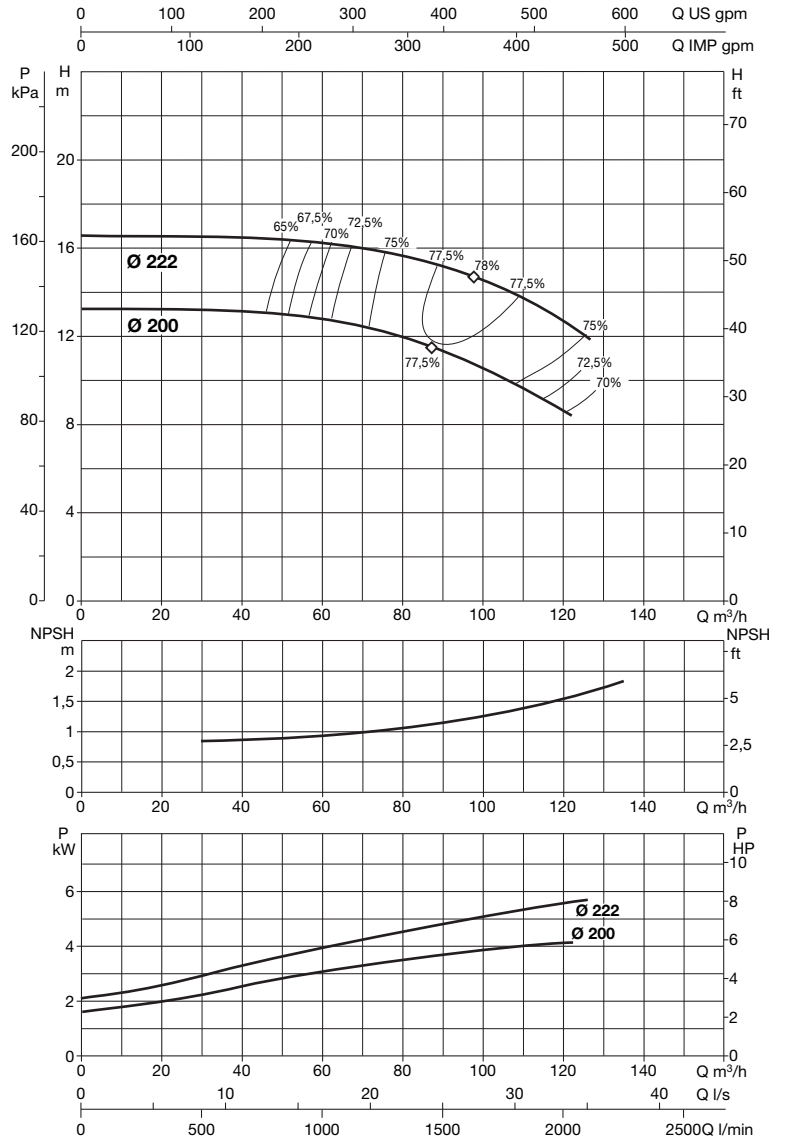
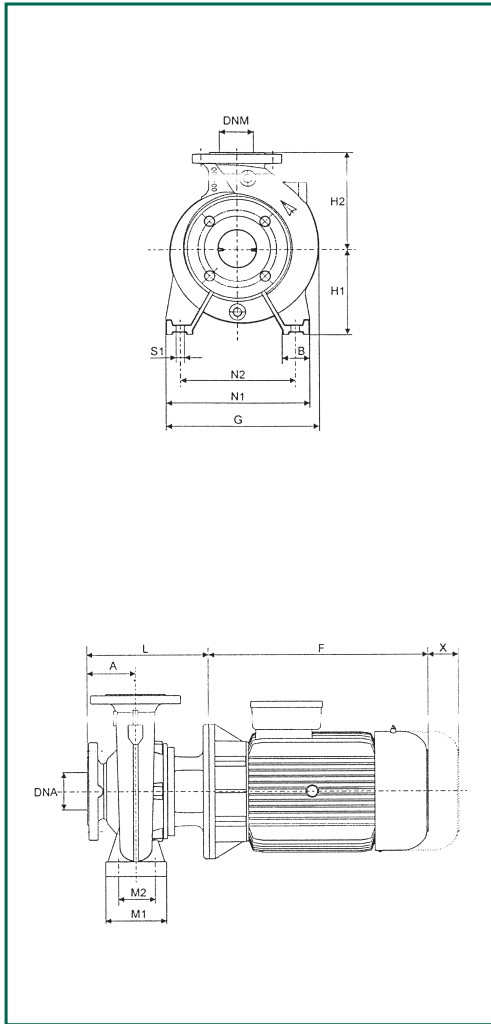
MODEL	DNA	DNM	A	B	E	F	G	H1	H2	L	M1	M2	N1	N2	S1	W	X	Ø (mm) Mech. seal	PACKING DIMENSIONS			Vol.	Weight Kg
																			A	B	H		
NKM-G 80-160/153-136/1.5/4	100	80	125	65	-	272	342	180	225	299	125	95	320	250	M10	-	140	28	670	420	540	0,152	83
NKM-G 80-160/163/2,2 /4	100	80	125	65	-	301	342	180	225	299	125	95	320	250	M10	-	140	28	670	420	540	0,152	83
NKM-G 80-160/177/3 /4	100	80	125	65	-	301	342	180	225	299	125	95	320	250	M10	-	140	28	670	420	540	0,152	87

MODEL	ELECTRICAL DATA				HYDRAULIC DATA											
	MOTOR SIZE	Voltage	P2 Nominal kW	HP	In A	Q m³/h	0	30	42	54	66	78	90	114	120	H (m)
						l/min	0	500	700	900	1100	1300	1500	1900	2000	
NKM-G 80-160/153-136/1.5/4	MEC 90 L	230/400 V	1.5	2	6.2-3.6	6.5	6.35	6.2	5.75	5.3	4.7	4.25	3	-		
NKM-G 80-160/163/2,2 /4	MEC 100 L	230/400 V	2.2	3	9.3-5.4	8.65	8.5	8.3	7.9	7.4	6.9	6.3	4.9	4.6		
NKM-G 80-160/177/3 /4	MEC 100 L	400 V Ø	3	4	6.8	10.2	10.2	10	9.75	9.5	9	8.6	7.2	6.7		

Liquid temperature range: from -10°C to +140°C
 Maximum ambient temperature: +40°C

NKM-G 80-200

≈ 1450 1/min



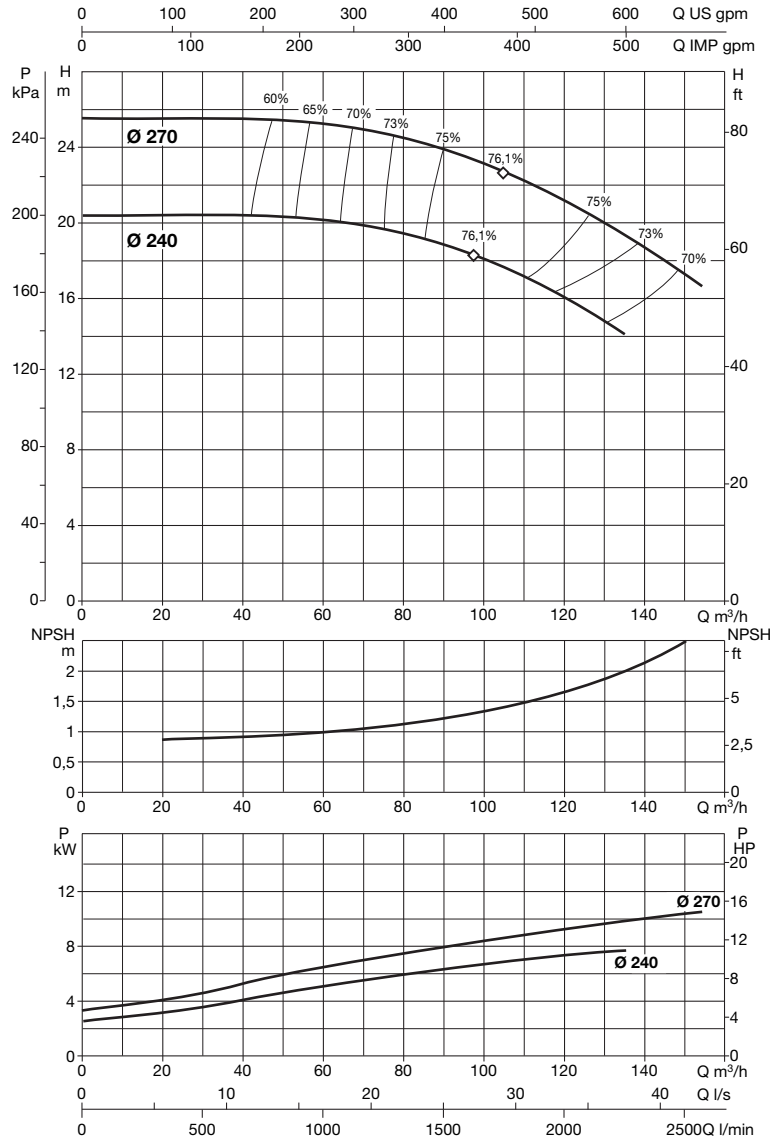
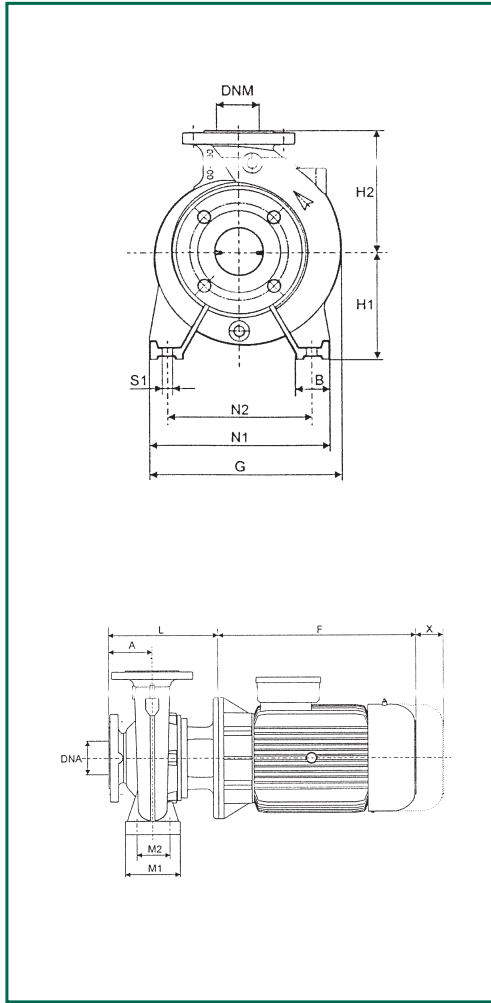
MODEL	DNA	DNM	A	B	E	F	G	H1	H2	L	M1	M2	N1	N2	S1	W	X	Ø (mm) Mech. seal	PACKING DIMENSIONS			Vol.	Weight Kg
																			A	B	H		
NKM-G 80-200/200/ 4 /4	100	80	125	65	-	301	365	180	250	368	125	95	345	280	M10	-	140	38	1030	530	640	0,349	118
NKM-G 80-200/222/ 5,5 /4	100	80	125	65	-	390	365	180	250	368	125	95	345	280	M10	-	140	38	1030	530	640	0,349	147

MODEL	ELECTRICAL DATA				HYDRAULIC DATA																			
	MOTOR SIZE	Voltage	P2		In A	Q																		
			Nominal kW	HP		0	42	54	66	72	78	90	114	120										
NKM-G 80-200/200/ 4 /4	MEC 112 M	400 V Ø	4	5.5	8.5	H	13.2	13.1	12.9	12.7	12.4	12	11.3	9.3	8.7	0	700	900	1100	1200	1300	1500	1900	2000
NKM-G 80-200/222/ 5,5 /4	MEC 132 S	400 V Ø	5.5	7.5	11.3	(m)	16.6	16.5	16.4	16.1	16	15.7	15	13.3	12.7	0	500	1000	1500	2000	2500	3000	3500	4000

Liquid temperature range: from -10°C to +140°C
 Maximum ambient temperature: +40°C

NKM-G 80-250

≅ 1450 1/min



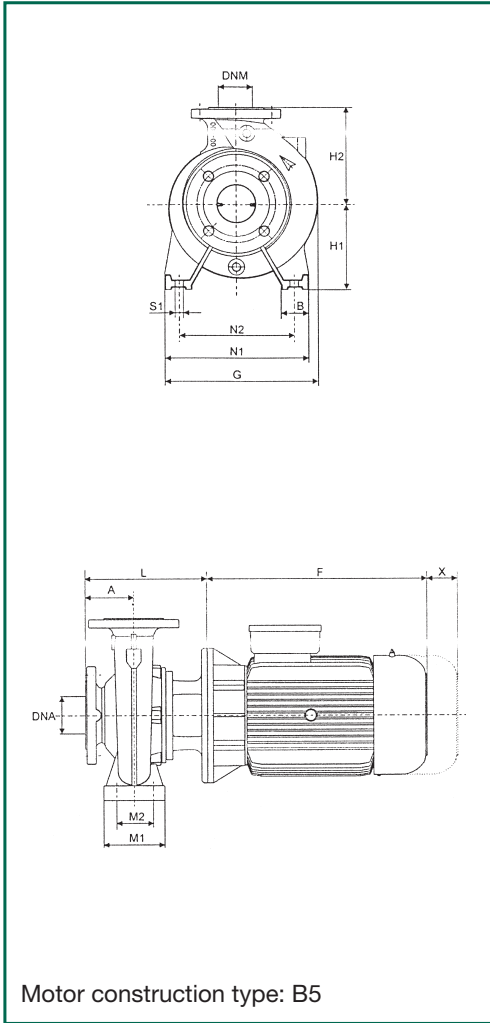
MODEL	DNa	DNM	A	B	E	F	G	H1	H2	L	M1	M2	N1	N2	N3	S1	S2	W	X	H4	Ø (mm) Mech. seal	PACKING DIMENS.			Vol.	Weight Kg
																						A	B	H		
NKM-G 80-250/240/7,5/4	100	80	125	80	-	416	410	200	280	368	160	120	400	315	-	M14	-	-	140	-	38	1030	530	640	0,349	172
NKM-G 80-250/270/11 /4	100	80	125	80	210	460	410	200	280	398	160	120	400	315	254	M14	M12	381	140	40	38	1030	530	640	0,349	224

MODEL	ELECTRICAL DATA					HYDRAULIC DATA											
	MOTOR SIZE	Voltage	P2		In A	Q											
			Nominal kW	HP		0	42	54	66	72	78	90	114	120			
NKM-G 80-250/240/7,5/4	MEC 132 M	400 V ∅	7.5	10	14.7	H (m)	20.4	20.3	20.2	20	19.9	19.8	19	16.7	16		
NKM-G 80-250/270/11 /4	MEC 160 M	400 V ∅	11	15	22	H (m)	25.6	25.5	25.4	25	24.8	24.6	24	21.5	21		

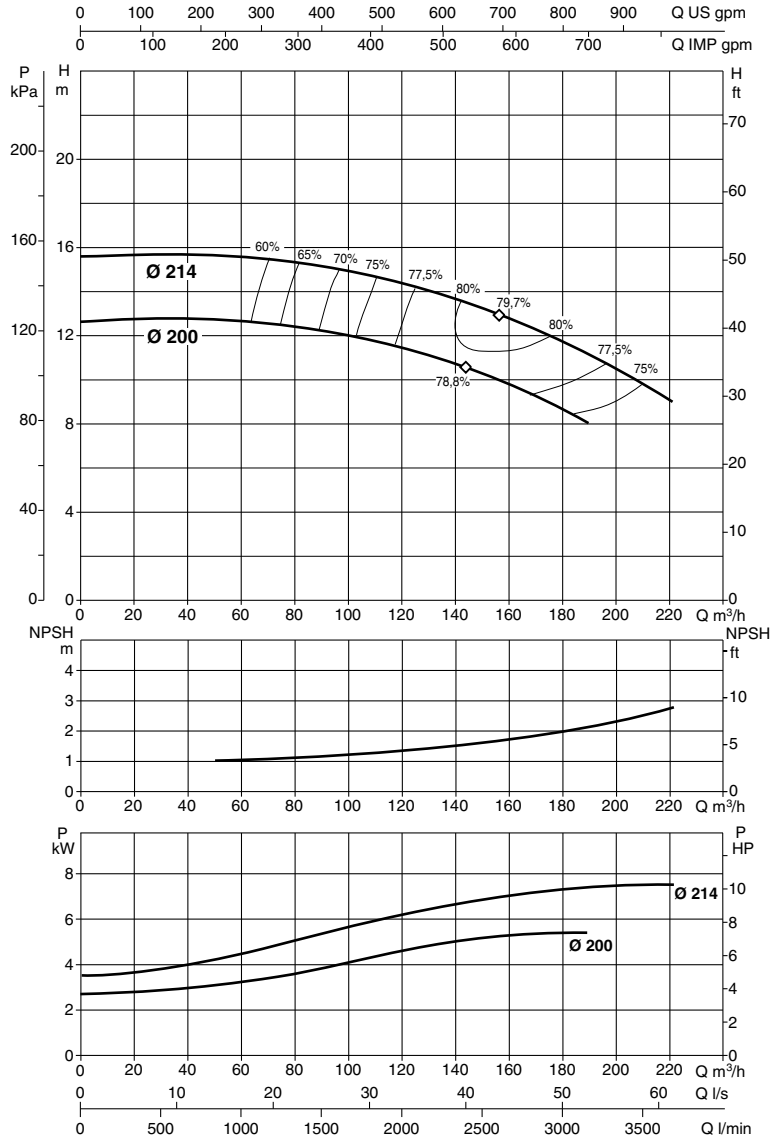
Liquid temperature range: from -10°C to +140°C
 Maximum ambient temperature: +40°C

NKM-G 100-200

≅ 1450 1/min



Motor construction type: B5



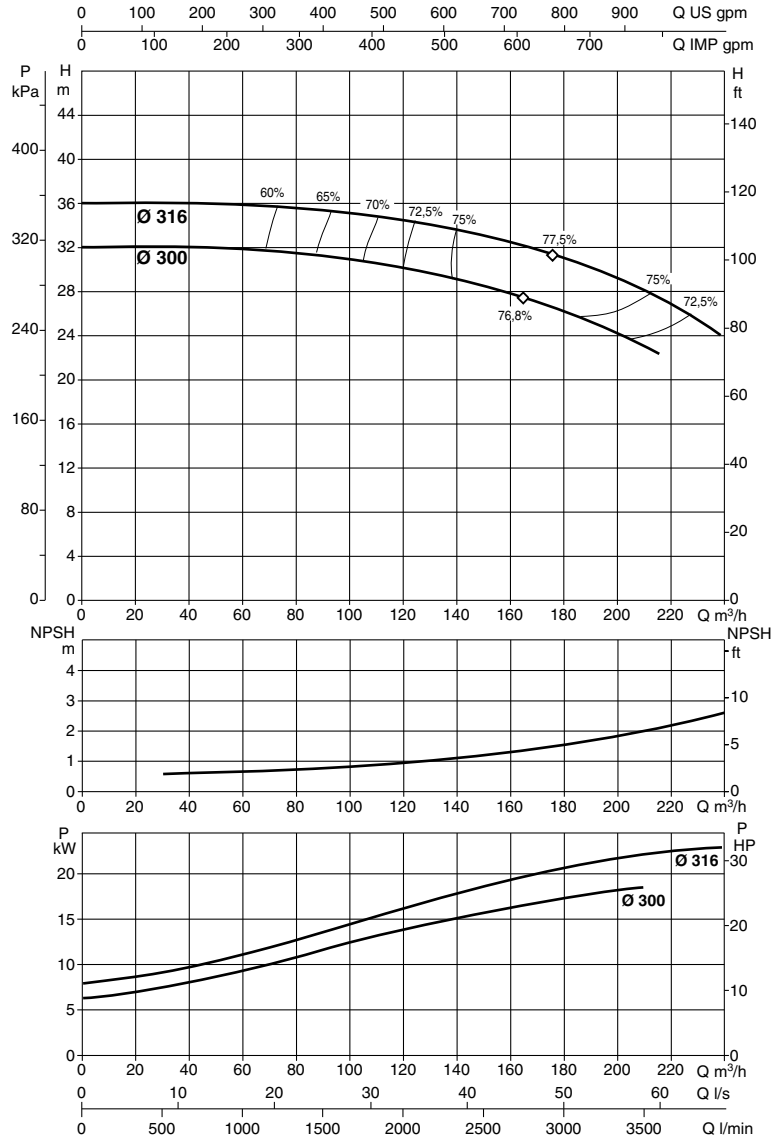
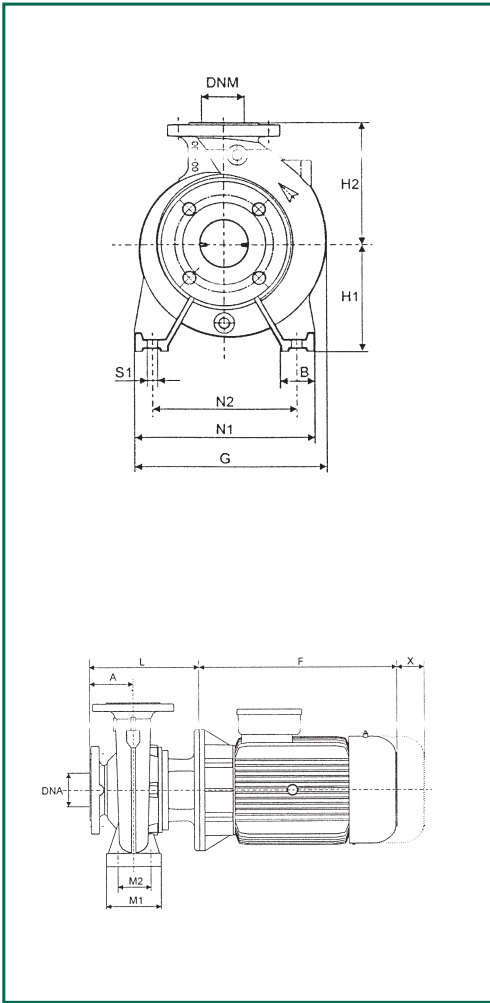
MODEL	DNA	DNM	A	B	E	F	G	H1	H2	L	M1	M2	N1	N2	S1	W	X	Ø (mm) Mech. seal	PACKING DIMENSIONS			Vol.	Weight Kg
																			A	B	H		
NKM-G100-200/200/5.5/4	125	100	125	80	-	390	392	200	280	368	160	120	360	280	M14	-	140	38	1030	530	640	0,349	160
NKM-G100-200/214/7.5/4	125	100	125	80	-	416	392	200	280	368	160	120	360	280	M14	-	140	38	1030	530	640	0,349	168

MODEL	ELECTRICAL DATA				HYDRAULIC DATA												
	MOTOR SIZE	Voltage	P2		In A	Q m³/h l/min	0	60	66	78	84	90	114	180	210		
			Nominal kW	HP			0	100	1100	1300	1400	1500	1900	3000	3500		
NKM-G100-200/200/5.5/4	MEC 132 S	400 V Ø	5.5	7.5	11.3	H (m)	12.7	12.6	12.6	12.5	12.4	12.3	11.5	8.5	-		
NKM-G100-200/214/7.5/4	MEC 132 M	400 V Ø	7.5	10	14.7	H (m)	15.6	15.4	15.4	15.2	15.1	15	14.5	11.6	9.8		

Liquid temperature range: from -10°C to +140°C
 Maximum ambient temperature: +40°C

NKM-G 100-315

≅ 1450 1/min



MODEL	DNA	DNM	A	B	E	F	G	H1	H2	L	M1	M2	N1	N2	N3	S1	S2	W	X	H4	Ø (mm) Mech. seal	PACKING DIMENS.			Vol.	Weight Kg
																						A	B	H		
NKM-G100-315/300/18.5 /4	125	100	140	80	241	580	478	250	315	413	160	120	400	315	279	M14	M12	529	140	70	38	1030	530	640	0,485	297
NKM-G100-315/316/22 /4	125	100	140	80	279	580	478	250	315	413	160	120	400	315	279	M14	M12	415	140	70	38	1030	530	640	0,485	309

MODEL	ELECTRICAL DATA					HYDRAULIC DATA												
	MOTOR SIZE	Voltage	P2		In A	Q m³/h	0	90	102	114	120	150	180	210	240			
			Nominal kW	HP														
NKM-G100-315/300/18.5 /4	MEC 180 M	400 V Ø	18.5	25	35	H	32	31.5	31.4	31	30.5	28.8	26	23	-			
NKM-G100-315/316/22 /4	MEC 180 L	400 V Ø	22	30	41	(m)	36	35.5	35.2	35	34.6	33.2	31	28	24			

SHIMS

Available on request separately from the pump.

Used to level the pump during installation so as to make up for the difference in centreline heights between the pump and the motor.

The kit comprises two shims with dimensions A (width), B (length), H (height) shown in the table.

The shims with a height of over 20 mm are supplied complete with screws, nuts and washers in order to fix them to the pump and motor.

4 POLES ELECTRIC PUMP

PARTS	P2 kW	DIMENSIONS A x B x H mm.	ref.
NKM-G 65-315/309/11 /4	11	90 X 335 X 65	*
NKM-G 80-250/270/11 /4	11	80 X 290 X 40	*
NKM-G 80-315/305/15 /4	15	90 X 335 X 90	*
NKM-G 80-315/320/18,5 /4	18,5	100 X 320 X 70	*
NKM-G 80-315/334/22 /4	22		*
NKM-G100-250/250/11 /4	11	90 X 335 X 65	*
NKM-G100-250/270/15 /4	15		*
NKM-G100-315/300/18,5 /4	18,5	100 X 320 X 70	*
NKM-G100-315/316/22 /4	22		*
NKM-G125-250/243/15 /4	15	90 X 335 X 90	*
NKM-G125-250/256/18,5 /4	18,5	100 X 320 X 70	*
NKM-G125-250/266/22 /4	22		*
NKM-G150-200/218/11 /4	11	80 X 290 X 120	*

* Shim to fit under the feet of the motor

** Shim to fit under the feet of the pump

2 POLES ELECTRIC PUMP

PARTS	P2 kW	DIMENSIONS A x B x H mm.	ref.
NKP-G 32-125/142/ 3 /2	3	50 X 100 X 20	**
NKP-G 32-160/177 /5,5/2	5,5		
NKP-G 40-125/130/ 3 /2	3		
NKP-G 40-125/139/ 4 /2	4		
NKP-G 40-160/158/ 5,5 /2	5,5		
NKP-G 40-160/172/ 7,5 /2	7,5	70 X 332 X 20	*
NKP-G 40-200/210/11 /2	11		
NKP-G 40-250/230/15 /2	15		
NKP-G 40-250/245/18,5 /2	18,5	50 X 100 X 20	**
NKP-G 50-125/135/ 5,5 /2	5,5		
NKP-G 50-125/144/ 7,5 /2	7,5	70 X 332 X 20	*
NKP-G 50-160/169/11 /2	11		
NKP-G 50-200/200/15 /2	15		
NKP-G 50-200/210/18,5 /2	18,5		
NKP-G 65-160/157/11 /2	11		
NKP-G 65-160/173/15 /2	15		
NKP-G 65-200/190/18,5 /2	18,5		
NKP-G 80-160/147-127/11 /2	11		
NKP-G 80-160/153/15 /2	15		
NKP-G 80-160/163/18,5 /2	18,5		
NKP-G 80-200/190/30 /2	30	70 X 125 X 20	**

COUNTERFLANGE KIT

Available on request separately from the pump.

The kit comprises intake and delivery counterflanges with the relative gaskets, screws and nuts required by the size of the pump to which it refers.

PARTS	COUNTERFLANGES AND GASKETS	THREADED	TO WELD	MATERIAL	PN
DIN 32	1XDN 32 + 1XDN 50	YES	YES	STEEL	16
DIN 40	1XDN 40 + 1XDN 65	YES	YES	STEEL	16
DIN 50	1XDN 50 + 1XDN 65	YES	YES	STEEL	16
DIN 65	1XDN 65 + 1XDN 80	NO	YES	STEEL	16
DIN 80	1XDN 80 + 1XDN 100	NO	YES	STEEL	16
DIN 100	1XDN 100 + 1XDN 125	NO	YES	STEEL	16
DIN 125	1XDN 125 + 1XDN 150	NO	YES	STEEL	16
DIN 150	1XDN 150 + 1XDN 200	NO	YES	STEEL	16 (10 X DN 200)