

K - HK

SINGLE IMPELLER PUMPS

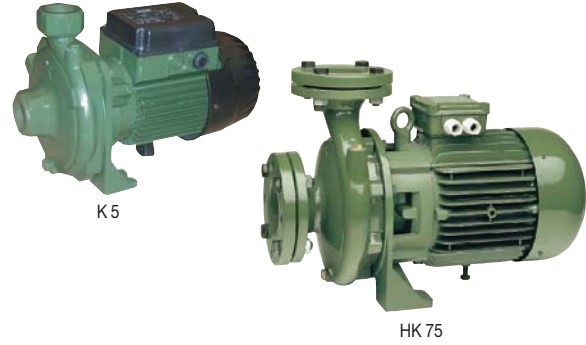


Single impeller centrifugal pump designed for domestic, civil, industrial and agricultural installations and for decanting, mixing and irrigating uses.
Cast iron pump body and motor support.

Technopolymer or cast iron impeller as indicated in the TECHNICAL DATA table.
Stainless steel driving shaft. Carbon/ceramic mechanical seal.
Asynchronous, closed motor, cooled by external ventilation. Built-in thermal and current overload protection and a capacitor permanently on in the single-phase version. For the protection of the three-phase motor it is advisable to use a suitable overload protection complying with the regulations in force.

Operating range: from 1.8 to 96 m³/h with head up to 62 metres.

Pumped liquid characteristics: clean, free from solids or abrasive substances, not viscous, not aggressive, not crystallised, chemically neutral and close to the characteristics of water.



Liquid temperature range: from -10°C to +50°C for K 5, K 8, K 15, HK 10, K 31, K 41 from -15°C to +110°C for other pumps

Maximum ambient temperature: +40°C

Maximum operating pressure:

K 5, K 8, HK 10, HK 25: 6 bar (600 kPa)

K 31, K 41, K 56, HK 40, HK 55: 8 bar (800 kPa)

HK 75, HK 100, HK 101, HK 125, HK 150, HK 102, HK 126, HK 151: 10 bar (1000 kPa)

Protection level: IP 44

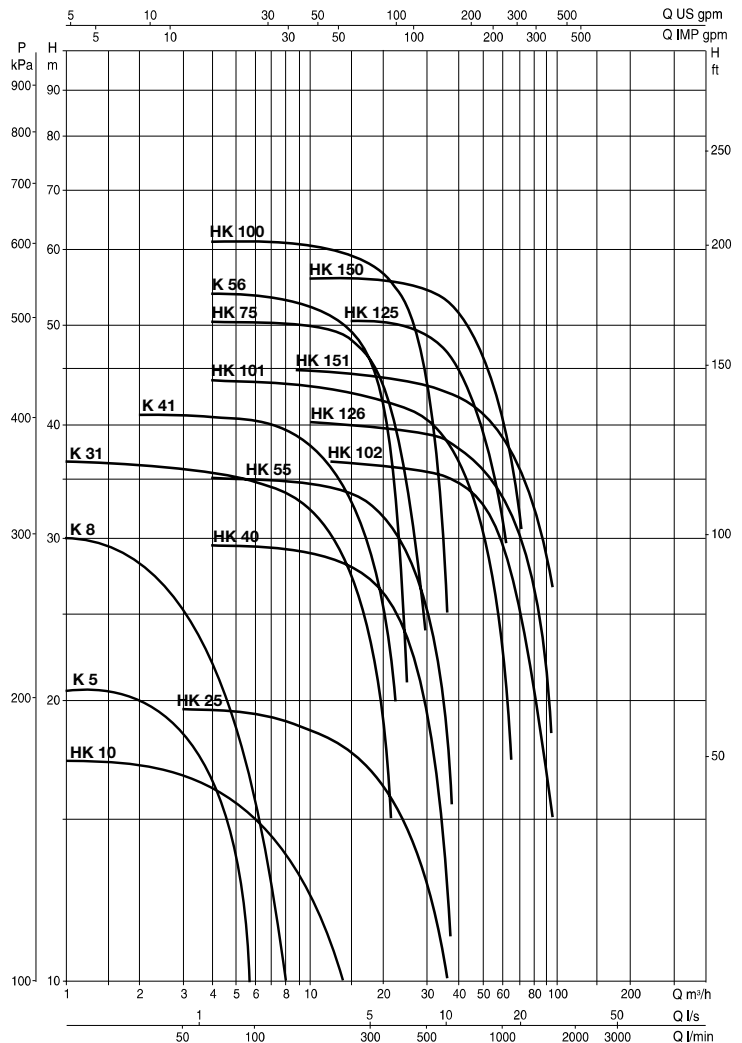
Terminal board protection level: IP 55

Insulation class: F

TECHNICAL DATA

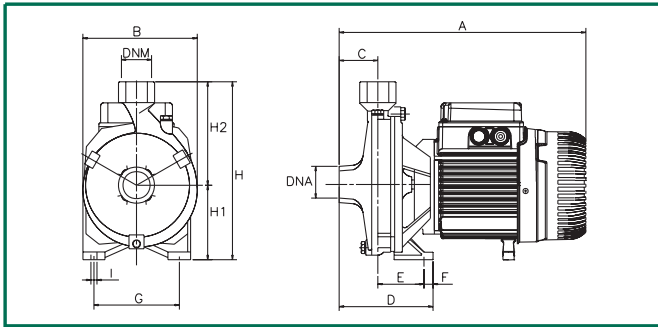
MODEL	ELECTRICAL DATA					
	VOLTAGE 50 Hz	P1 MAX kW	P2 NOMINAL kW HP		In A	CAPACITOR μF Vc
K 5 M	1x220-240 V ~	0,65	0,37	0,5	3	10 450
K 5 T	3x230-400 V ~	0,64	0,37	0,5	2,3-1,3	- -
K 8 M	1x220-240 V ~	1,3	0,75	1	6	20 450
K 8 T	3x230-400 V ~	1,2	0,75	1	4,3-2,5	- -
K 31 T	3x230-400 V ~	3	2,2	3	9-5,2	- -
K 41 T	3x230-400 V ~	3,5	3	4	11,1-6,4	- -
K 56 T	3x230-400 V ~	4,9	4	5,5	16,3-9,4	40 -
HK 10 M	1x220-240 V ~	1,05	0,75	1	4,6	20 450
HK 10 T	3x230-400 V ~	1,02	0,75	1	3,6-2,1	- -
HK 25 M	1x220-240 V ~	2,1	1,85	2,5	9,5	- 450
HK 25 T	3x230-400 V ~	2,1	1,85	2,5	7,4	- -
HK 40 T	3x230-400 V ~	3,4	3	4	10,2-5,9	- -
HK 55 T	3x230-400 V ~	4,5	4	5,5	14,7-8,5	- -
HK 75 T	3x400 V ~ Δ*	7	5,5	7,5	11,5	- -
HK 100 T	3x400 V ~ Δ*	9,4	7,5	10	15	- -
HK 101 T	3x400 V ~ Δ*	8,3	7,5	10	14	- -
HK 125 T	3x400 V ~ Δ*	11	9,2	12,5	18	- -
HK 150 T	3x400 V ~ Δ*	12,75	11	15	20,5	- -
HK 102 T	3x400 V ~ Δ*	8,9	7,5	10	15,4	- -
HK 126 T	3x400 V ~ Δ*	10	9,2	12,5	18	- -
HK 151 T	3x400 V ~ Δ*	11,4	11	15	19,3	- -

* Star (Δ) starting is possible



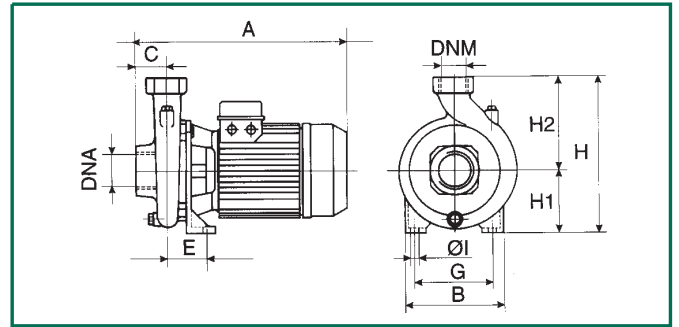
DIMENSIONS AND WEIGHTS

K5 - K8 - HK10



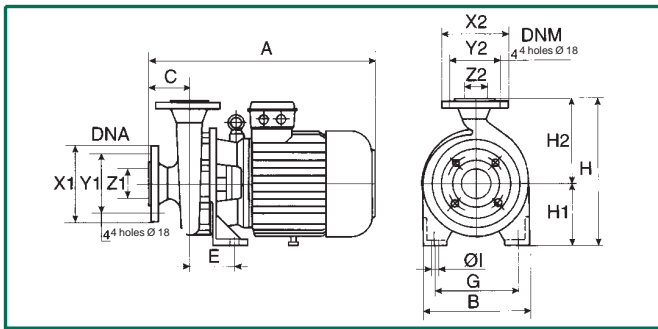
K31 - K41 - K56

HK25 - HK40 - HK55



HK75 - HK100 - HK101 - HK125 - HK150

HK102 - HK126 - HK151



MODEL	A	B	C	D	E	G	Ø I	H	H1	DNA	DNM	WEIGHT Kg
K 5	275	160	50	100	50	110	9	205	85	1" G	1" G	10
K 8	300	185	50	108	58	140	9	235	100	1" G	1" G	14,5
K 31	425	250	55	-	86	175	14	320	135	2" G	1 1/4" G	32,1
K 41	425	250	55	-	86	175	14	320	135	2" G	1 1/4" G	33,9
K 56	425	250	55	-	86	175	14	320	135	2" G	1 1/4" G	33,9
HK 10	312	169	45	114	69	110	9	218	85	1 1/2" G	1 1/2" G	13,8
HK 25 M	430	200	62	-	74	120	11	270	105	2" G	2" G	24,5
HK 25 T	358	200	62	-	74	120	11	270	105	2" G	2" G	22
HK 40	440	240	62	-	100	155	14	312	132	2 1/2" G	2" G	35,6
HK 55	440	240	62	-	100	155	14	312	132	2 1/2" G	2" G	39,6
HK 75	560	273	100	-	110	212	14	360	160	65	50	78,8
HK 100	560	273	100	-	110	212	14	360	160	65	50	78,8
HK 101	600	273	100	-	110	212	14	385	160	80	65	90,2
HK 125	600	273	100	-	110	212	14	385	160	80	65	95
HK 150	600	273	100	-	110	212	14	385	160	80	65	104,3
HK 102	600	273	100	-	110	212	14	385	160	80	65	88
HK 126	600	273	100	-	110	212	14	385	160	80	65	94
HK 151	600	273	100	-	110	212	14	385	160	80	65	100

K TWIN IMPELLER PUMPS



Twin impeller centrifugal pump designed for use in pressurisation units for water supply systems for domestic, civil and industrial use. Suitable for sprinkling irrigation and other water supply applications. Cast iron pump body and motor support. Technopolymer impeller.

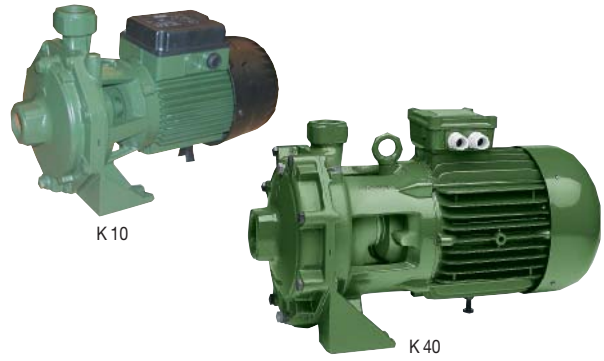
Stainless steel driving shaft. Carbon/ceramic mechanical seal.

Asynchronous, closed motor, cooled by external ventilation.

Built-in thermal and current overload protection and a capacitor permanently on in the single-phase version. For the protection of the three-phase motor it is advisable to use a suitable overload protection complying with the regulations in force.

Operating range: from 1.2 to 30 m³/h with head up to 97 metres.

Pumped liquid characteristics: clean, free from solids or abrasive substances, not viscous, not aggressive, not crystallised, chemically neutral and close to the characteristics of water.



Liquid temperature range:

from -10°C to +50°C: for K 10, K 17, K 15, K 20, K 30

from -15°C to +110°C: for K 25, K 40, K 55, K 75, K 100, K 125, K 150

Maximum operating range: K 10, K 15, K 20:

6 bar (600 kPa)

K 17, K 25:

8 bar (800 kPa)

K 30, K 40:

10 bar (1000 kPa)

K 55, K 75, K 100

K 125, K 150:

12 bar (1200 kPa)

Maximum ambient temperature: +40°C

Protection level: IP 44

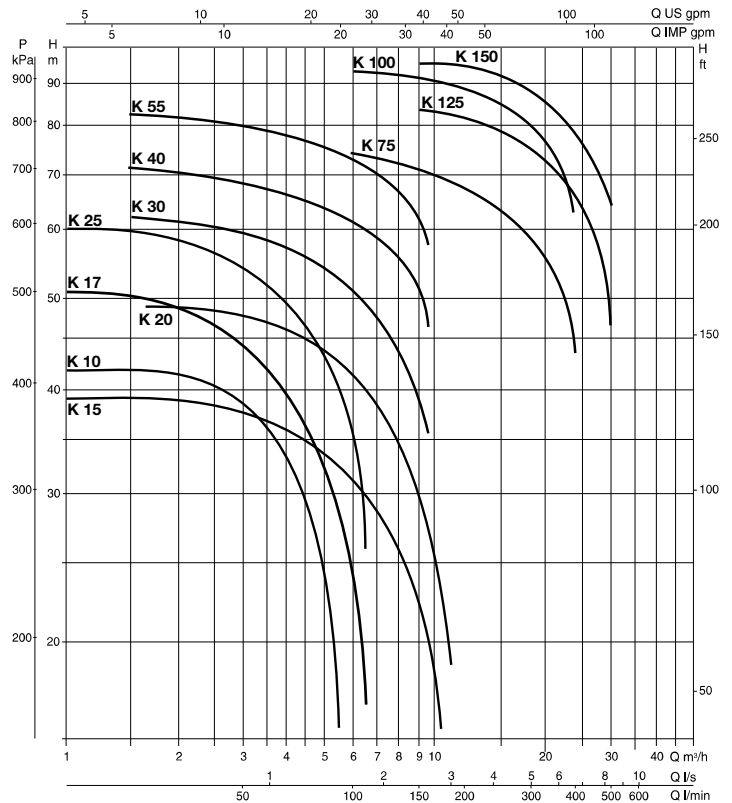
Terminal board protection level: IP 55

Insulation class: F

TECHNICAL DATA

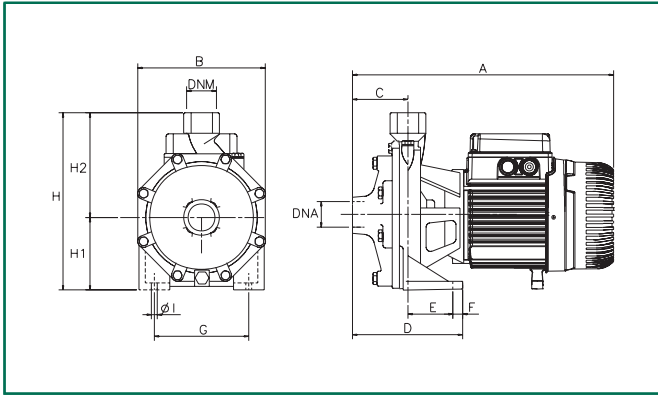
MODEL	ELECTRICAL DATA						
	VOLTAGE 50 Hz	P1 MAX kW	P2 NOMINAL kW HP		In A	CAPACITOR μF Vc	
K 10 M	1x220-240 V ~	1,2	0,75	1	5,5	20	450
K 10 T	3x230-400 V ~	1,2	0,75	1	3,8-2,2	-	-
K 17 M	1x220-240 V ~	1,86	1,1	1,5	8,3	31,5	450
K 17 T	3x230-400 V ~	1,96	1,1	1,5	6-3,5	-	-
K 25 M	1x220-240 V ~	2,7	1,85	2,7	12,8	40	450
K 25 T	3x230-400 V ~	2,5	1,85	2,5	8,4-4,8	-	-
K 15 M	1x220-240 V ~	1,56	1,1	1,5	7,1	25	450
K 15 T	3x230-400 V ~	1,56	1,1	1,5	5,36-3,1	-	-
K 20 M	1x220-240 V ~	2	1,85	2,5	9	40	450
K 20 T	3x230-400 V ~	2	1,85	2,5	6,2-3,6	-	-
K 30 T	3x230-400 V ~	3,9	2,2	3	11,6-6,7	-	-
K 40 T	3x230-400 V ~	4,7	3	4	14,6-8,4	-	-
K 55 T	3x230-400 V ~	5,4	4	5,5	16,5-9,5	-	-
K 75 T	3x400 V ~ Δ*	7,1	5,5	7,5	12,9	-	-
K 100 T	3x400 V ~ Δ*	9,9	7,5	10	15	-	-
K 125 T	3x400 V ~ Δ*	10,7	9,2	12,5	18	-	-
K 150 T	3x400 V ~ Δ*	12,5	11	15	21	-	-

* Star (Δ) starting is possible

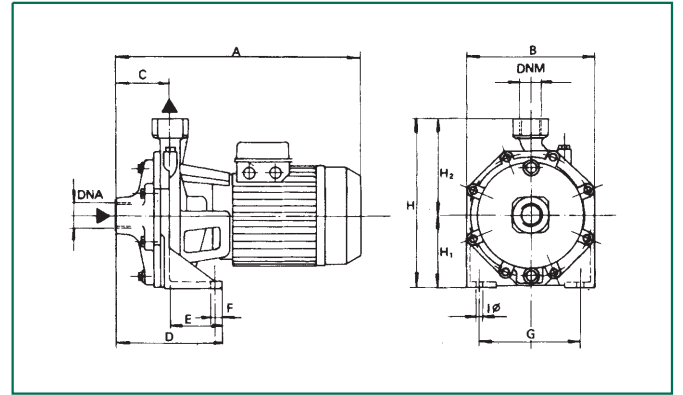


DIMENSIONS AND WEIGHTS

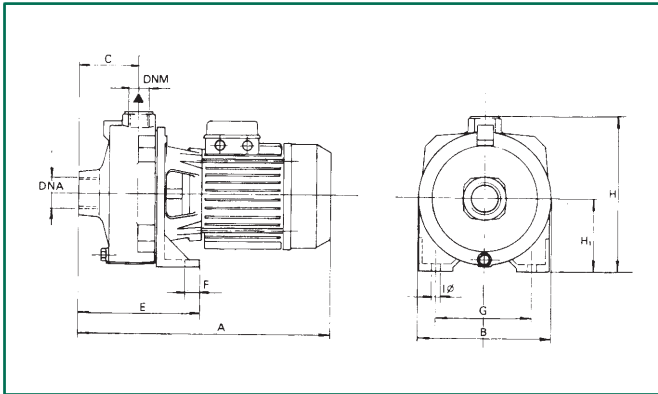
K 10



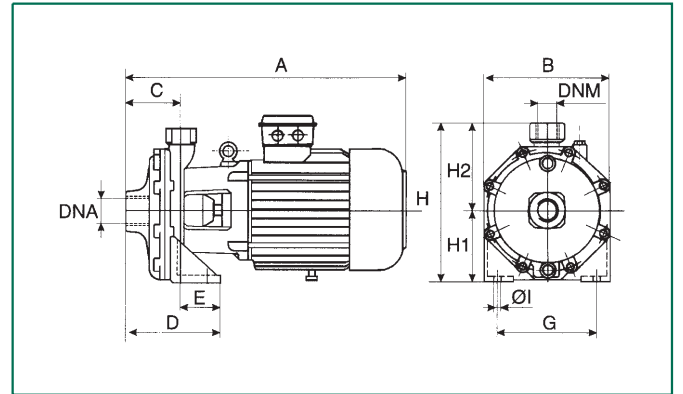
K17 - K25 - K40 - K55



K15 - K20



K75 - K100 - K125 - K150



MODEL	A	B	C	D	E	F	G	ØI	H	H1	H2	DNA	DNM	WEIGHT Kg
K 10	342	180	76	148	72	15	148	9,5	235	100	135	1" G	1" G	15,9
K 17	370	210	75	144	69	15	165	11,5	268	118	150	1 1/4" G	1" G	23,3
K 25	370	210	75	114	69	15	165	11,5	268	118	150	1 1/4" G	1" G	23,8
K 15	387	205	88	-	179	20	145	11	233	108	-	1 1/2" G	1" G	21,5
K 20 M	461	205	88	-	179	20	145	11	233	108	-	1 1/2" G	1" G	25,9
K 20 T	387	205	88	-	179	20	145	11	233	108	-	1 1/2" G	1" G	22
K 30	450	256	88	160	72	18	200	14	312,5	140	172,5	1 1/2" G	1" G	37,1
K 40	450	256	88	160	72	18	200	14	312,5	140	172,5	1 1/2" G	1" G	39,7
K 55	450	256	88	160	72	18	200	14	312,5	140	172,5	1 1/2" G	1" G	43
K 75	595	270	122	182	60	20	210	14	340	160	180	2" G	1 1/4" G	72
K 100	595	270	122	182	60	20	210	14	340	160	180	2" G	1 1/4" G	78,5
K 125	635	270	122	182	60	20	210	14	340	160	180	2" G	1 1/4" G	74
K 150	635	270	122	182	60	20	210	14	340	160	180	2" G	1 1/4" G	78