



## JET SELF-PRIMING CENTRIFUGAL PUMPS



Self-priming centrifugal pump with excellent suction capacity even when there are air bubbles. Particularly suitable for water supply in domestic installations, small-scale agriculture, gardening and wherever self-priming operation is necessary. Pump body and motor support in cast iron. Technopolymer impeller, diffuser, Venturi tube and sand guard. Stainless steel adjustment rings. Carbon/ceramic mechanical seal. Asynchronous motor closed and cooled by external ventilation. Built-in thermal and current overload protection and a capacitor permanently on in the single-phase version. For the protection of the three-phase motor it is advisable to use a suitable overload protection complying with the regulations in force.

**Operating range:** two-poles from 0.4 to 10.5 m<sup>3</sup>/h with head up to 62 metres

**Liquid temperature range:** from 0°C to +35°C for domestic use  
from 0°C to +40°C for other use

**Pumped liquid characteristics:** clean, free from solids or abrasive substances, not viscous, not aggressive, not crystallised and chemically neutral.

**Maximum ambient temperature:** +40°C

**Maximum working pressure:** 6 bar (600 kPa) for Jet and Jetcom  
8 bar (800 kPa) for Jetinox

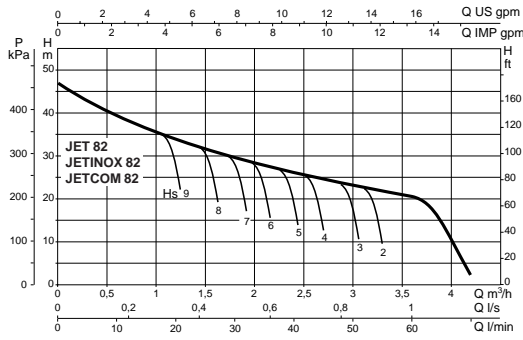
**Protection level:** IP 44 (IP 55 terminal board protection).

**Insulation class:** F

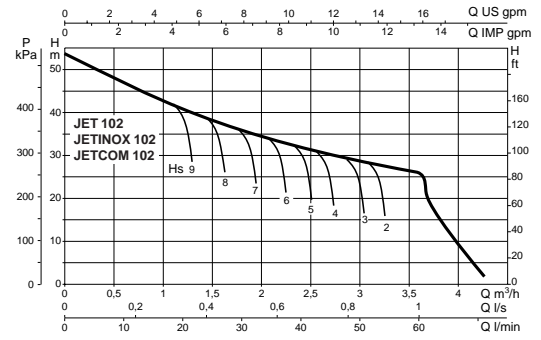
## ELECTRICAL AND HYDRAULIC DATA

MODEL	ELECTRICAL DATA							HYDRAULIC DATA																			
	VOLTAGE 50 Hz	P1 MAX kW	P2 NOMINAL		I <sub>n</sub> A	CAPACITOR		Q m <sup>3</sup> /h	Q l/min																		
			kW	HP		μF	Vc		0	0.6	1.2	1.5	1.8	2.4	3	3.6	4.2	4.5	4.8	6	7.2	9	10.5				
<b>JET 82 M</b>	1x220-240 V~	0,85	0,6	0,8	3,8	12,5	450																				
<b>JET 82 T</b>	3x230-400 V~	0,86	0,6	0,8	2,8-1,6	–	–	47	40	34				30	26,2	23,5	20,3										
<b>JET 102 M</b>	1x220-240 V~	1,13	0,75	1	5,1	16	450																				
<b>JET 102 T</b>	3x230-400 V~	1,04	0,75	1	3,3-1,9	–	–	53,8	47	41				36,3	32,4	28,8	25,8										
<b>JET 15 M</b>	1x220-240 V~	1,6	1,1	1,5	7,2	31,5	450																				
<b>JET 15 T</b>	3x230-400 V~	1,6	1,1	1,5	5,2-3	–	–	60,5	58,2	56				53	50	46	43	39,5	38								
<b>JET 20 M</b>	1x220-240 V~	2,0	1,5	2	9	31,5	450																				
<b>JET 20 T</b>	3x230-400 V~	2,0	1,5	2	6,8-3,9	–	–	41					38		36,5		34						31,8	29,5	27,2	24	21,3
<b>JET 25 M</b>	1x220-240 V~	2,2	1,85	2,5	10	40	450																				
<b>JET 25 T</b>	3x230-400 V~	2,2	1,85	2,5	6,9-4	–	–	46,5					43,5		41,8		39,2						37	34,2	31,8	28	25
								62	60	58				56	54	51	48,5	46	43,5					39	34,2		

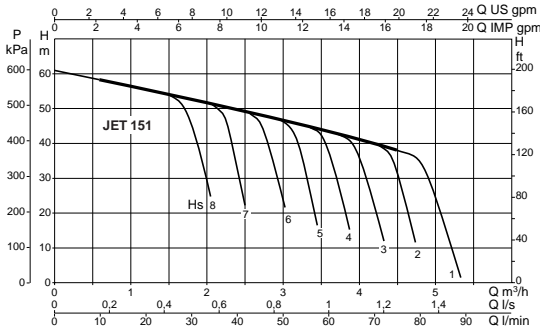
### JET 82



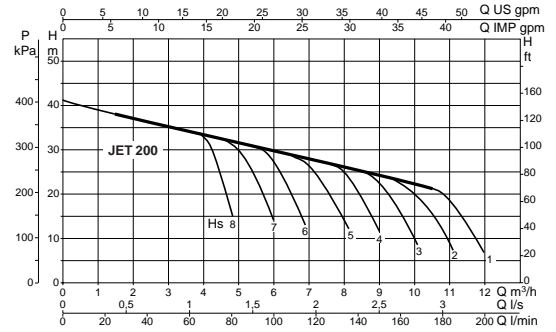
### JET 102



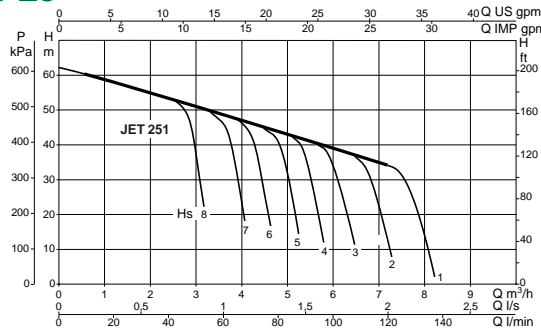
### JET 15



### JET 20

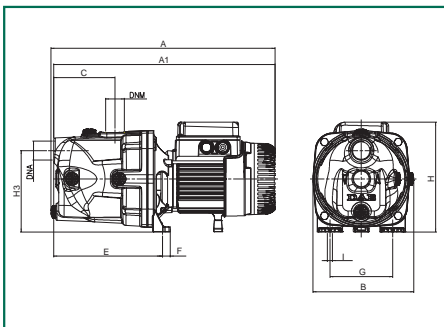


### JET 25

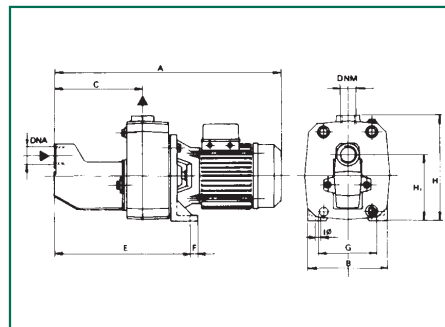


## DIMENSIONS AND WEIGHTS

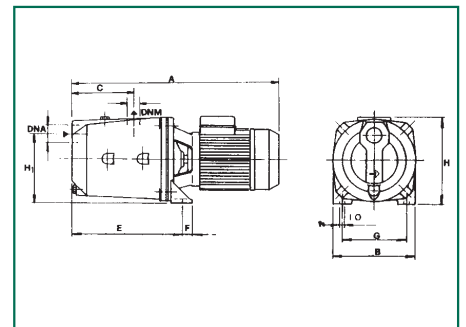
### JET 82 - 102



### JET 15 - 25



### JET 20



MODEL	A	A1	B	C	E	F	G	H	H1	H3	I Ø	DNA	DNM	L/A	L/B	H	VOLUME m <sup>3</sup>	WEIGHT Kg
JET 82	395	395	178	108	192	14	111	193	-	144	9	1" G	1" G	470	240	240	0,022	10,7
JET 102	414	409	178	108	197	14	111	203	-	144	9	1" G	1" G	470	240	240	0,022	12,5
JET 15	558	210	221	350	20	145	11	255	158	-	-	1 1/4" G	1" G	612	248	279	0,042	31
JET 20	521	214	151	282	20	160	11	227	175	-	-	1 1/2" G	1 1/4" G	612	248	279	0,042	27
JET 25 M	632	210	221	350	20	145	11	255	158	-	-	1 1/4" G	1" G	657	248	279	0,045	35
JET 25 T	558	210	221	350	20	145	11	255	158	-	-	1 1/4" G	1" G	657	248	279	0,045	31