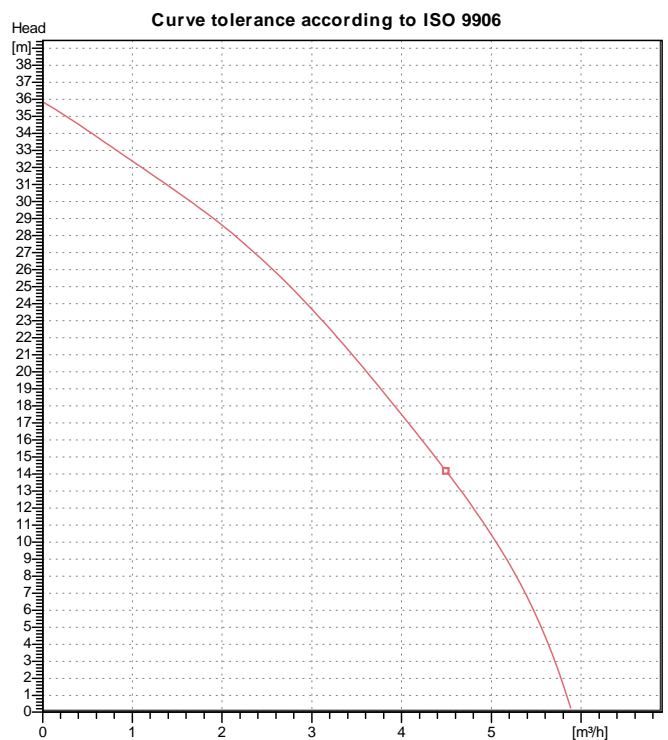


ECO 35 M Aut

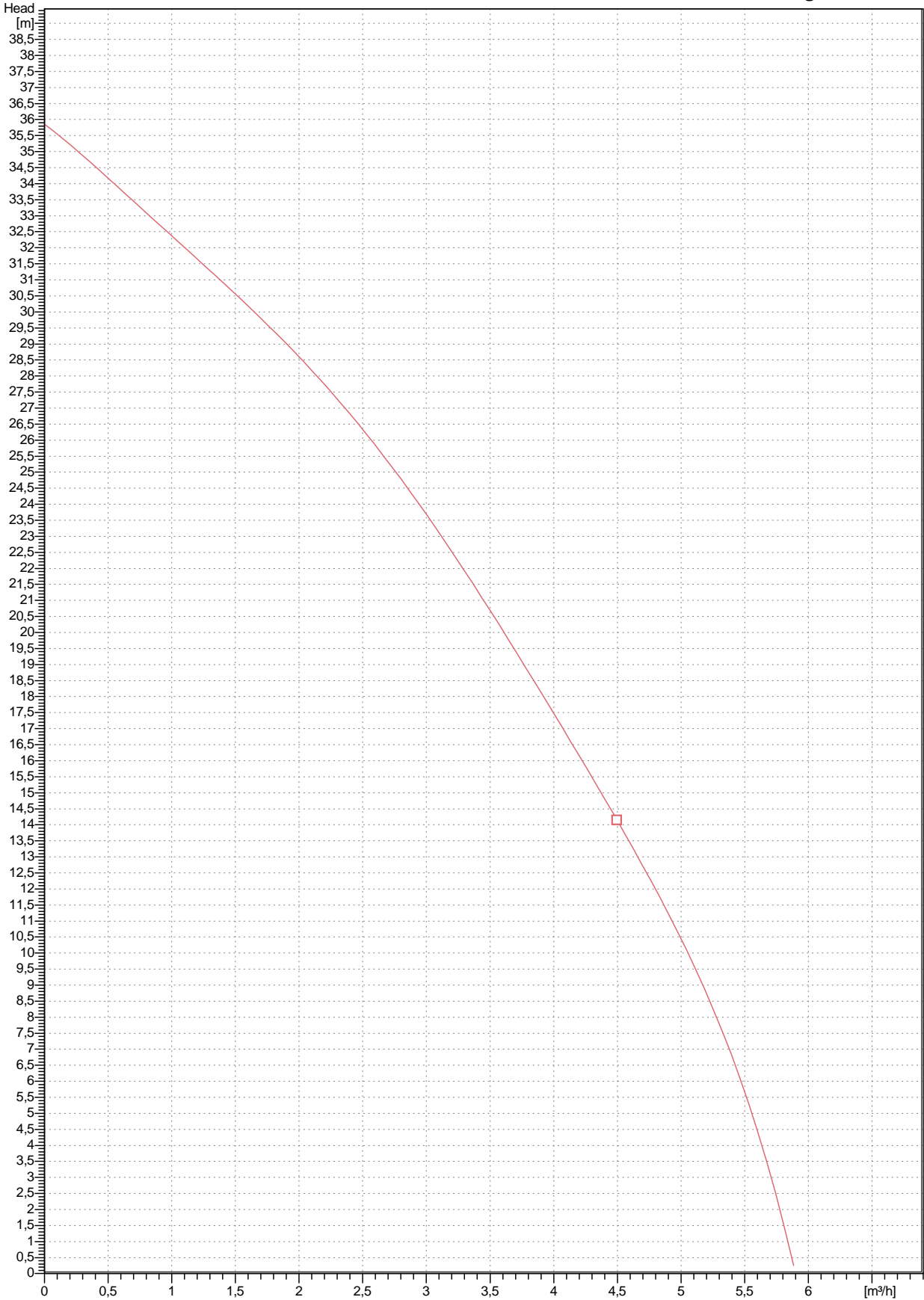
Pump data :	
Model :	ECO 35 M Aut
Impeller size	
Type of installation	
Pressure rating :	
Min. fluid temperature :	0 °C
Max. fluid temperature :	35 °C
Minimum suction head :	
Temperature	°C
Minimum suction head	m
Requested data :	
Flow	
Head	
Fluid :	Water
Fluid Temperature :	20 °C
Density :	0,9983 kg/dm ³
Kinematic viscosity	1,005 mm ² /s
Vapor pressure :	2,337 kPa
Hydraulic data (duty point)	
Flow	0 m ³ /h
Head	0 m
Power input P1	0 kW
Speed	2800 1/min
Materials :	
Pump body	PP OMO 30% FVAC NAT GRADE 6
Impeller	PPO/PPE 20% FV
Diff user	PPO/PPE 20% FV
OR ring	NBR 70
Motor casing	SHEET METAL Fe P01 0.65mm
Motor shaft	DRAWN BARS STEEL INOX AISI 416
Ceramic bushing	DRAWN BARS STEEL INOX AISI 416
Motor data :	
Brand :	SACI PUMPS
Frame size	H80 SM-3/4G 0,65 kW
Nominal power P2:	0,65 kW
Rated speed:	2800 1/min
Rated voltage :	1~ 230 V 50 Hz
Nominal current :	3,8 A
Starting current	0 A
Degree of protection :	IP 68



PERFORMANCE CURVES

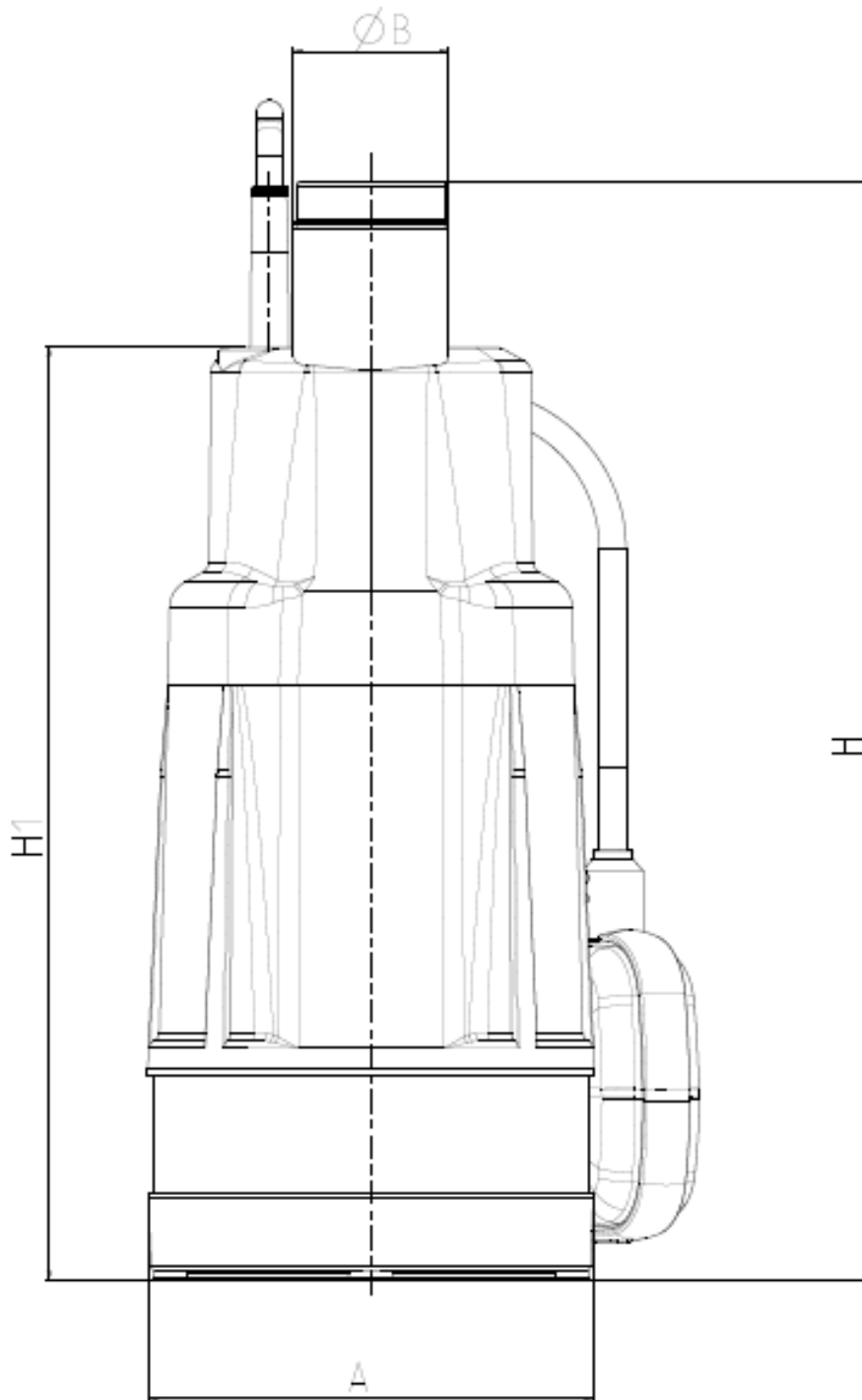
ECO 35 M Aut

Curve tolerance according to ISO 9906



DIMENSIONAL DRAWING

ECO 35 M Aut



Dimensions in mm		
1	A	150
2	B	52
3	H	375
4	H1	318