

DG



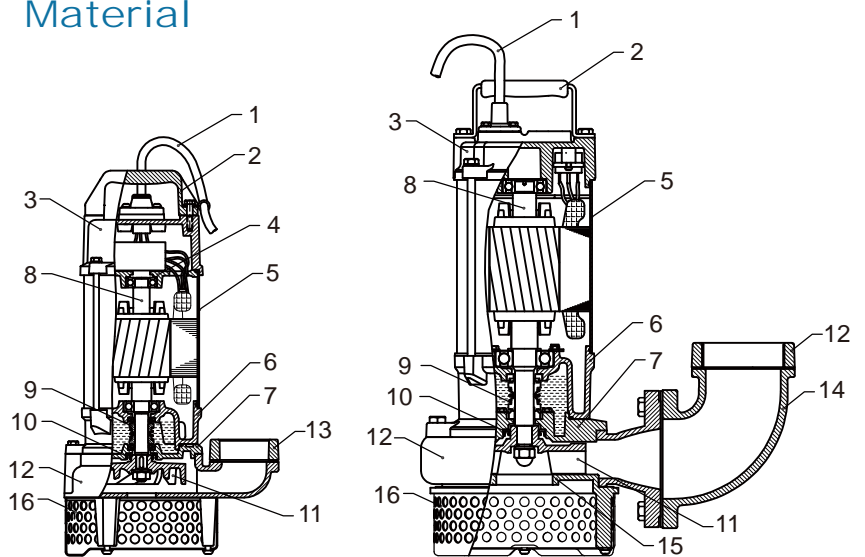
saci

pumps

50Hz



Material



Applications

- Basement water removal
- Waste water drainage
- Water transfer
- Sump/effluent handling
- Dewatering
- Fish pond & fountain circulation
- Factory waste water handling

Motor

- Motor Type : 2 POLE , dry type
- Frequency : 50Hz
Nominal Speed : 2850 rpm
- Insulation Class : F class (155°C)
- Enclosure Protection Class : IP 68
- Protection Device :
Thermal Protector (Single phase)
Overload Protector (Three phase)

Pump

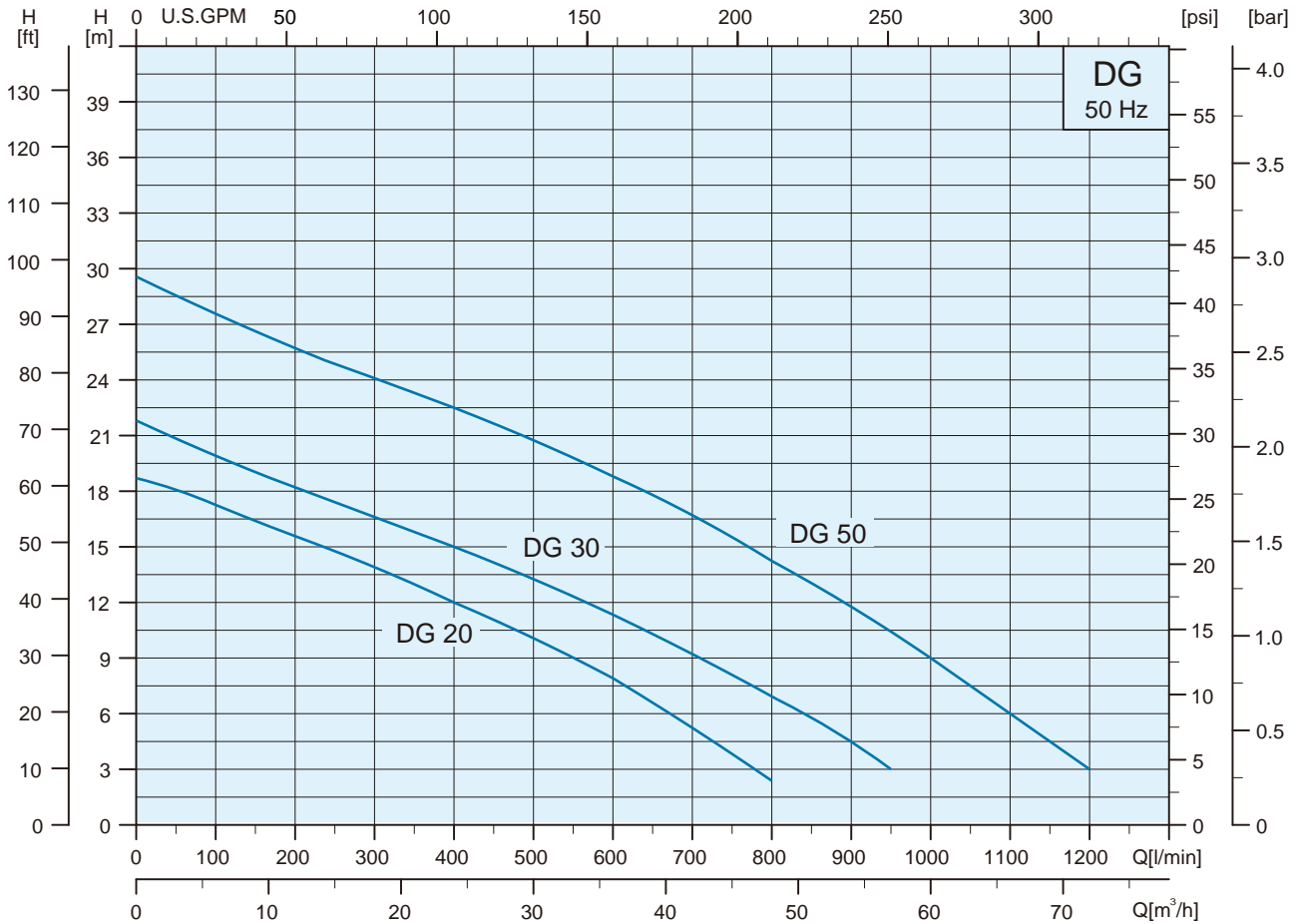
- Impeller : Semi Open Impeller
- Shaft Seal : Double mechanical seal + oil seal
- Bearing : Double-shielded Ball Bearing

Operation Conditions

- Fluid Temperature: 0 to 40°C (122°F)

No.	Name	Material
1	Cable	H07RN-F
2	Handle	Nylon6+30GF (0.5~1.0HP)
		AISI 304+NBR (2.0~5.0HP)
3	Motor Cover	FC200
4	Bearing Cap	FC200
5	Motor Frame	AISI 304
6	Bearing Bracket	FC200
7	M.Seal Bracket	FC200
8	Shaft	SUS 410
9	Mechanical Seal	CA/CE,SIC/SIC
10	Oil Seal	NBR 70
11	Impeller	FC200
12	Pump Casing	FC200
13	Flange	FC200
14	Elbow	FC200
15	Suction Cover	FC200
16	Strainer	AISI 304

Performance Curves



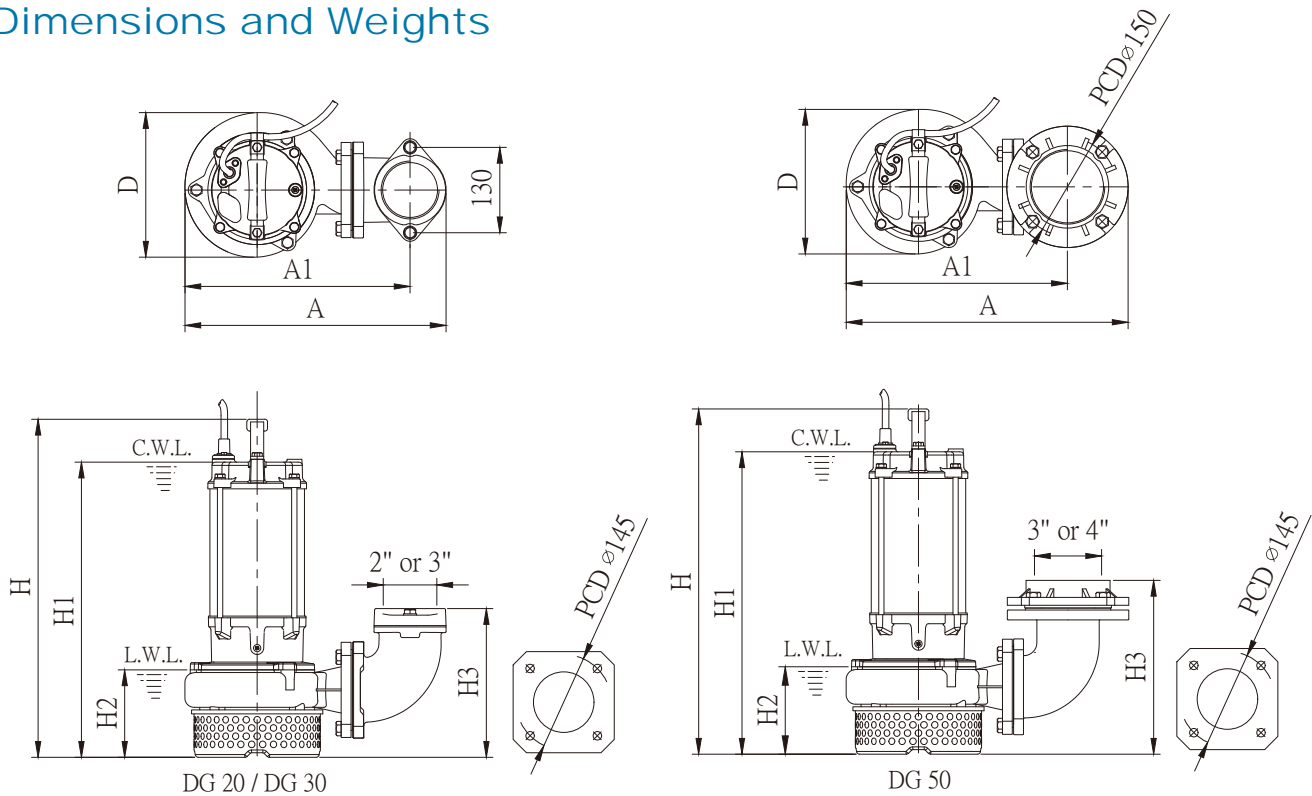
Specifications

Model	Q = DELIVERY															
	L/min	0	100	200	300	400	500	600	700	800	900	1000	1100	1200	1300	
	m³/h	0	6	12	18	24	30	36	42	48	54	60	66	72	78	
Three Phase																
DG 20 T	H(m)	18.9	17.2	15.5	14.0	12.0	10.0	8.0	5.2	2.4	—	—	—	—	—	
DG 30 T		22.0	19.9	18.2	16.6	15.0	13.2	11.3	9.2	7.0	4.5	—	—	—	—	
DG 50 T		29.6	27.5	25.5	24.2	22.5	21.0	18.8	17.0	14.0	11.5	9.0	6.0	3.0	—	

Specifications

Model	Power		Input	Nominal Current [A]		Head		Flow		Discharge inch
	HP	kW	kW	220-240V	380-415V	Rated (m)	Max. (m)	Rated (L/min)	Max. (L/min)	
Three Phase										
DG 20 T	2.0	1.5	2.0	6.5-6.0	3.5-3.0	10.0	18.9	500	800	2"
DG 30 T	3.0	2.2	2.9	8.7-8.0	5.0-4.5	14.0	22.0	460	950	2"
DG 50 T	5.0	3.7	4.5	14.2-13.0	8.2-7.7	20.0	29.6	540	1200	3"

Dimensions and Weights



Model	Solids Passage (mm)	Dimensions (mm)							Cable		Net Weights (kg)
		A	A1	D	H	H1	H2	H3	M	H07RN-F	
Three Phase											
DG 20 T	10	398	343	220	506	441	133	227	10	4G1.5mm ²	36.0
DG 30 T	10	398	343	220	506	441	133	227	10	4G1.5mm ²	38.5
DG 50 T	10	430	337	220	526	461	133	265	10	4G2.5mm ²	45.0