

1. RACORD ASPIRACION BRAVUS

2. KIT RACORES PVC D.90

3. TORNILLO DIN.933 M8x20

4. JUNTA TORICA TAPA CUERPO (86x5)

5. TUERCA DIN.934 M6

6. TAPA CUERPO BOMBA

7. TAPÓN RODETE M8x20

8. Oring 270 x 4

9. Oring 18 x 4,5

10. RODETE

11. SELLO D27

12. TAPÓN CEBADO/DESAGÜE 1/2"

13. JUNTA PLANA TAPÓN DESAGÜE

14. CUERPO BOMBA

15. TORNILLO DIN.912 M6x7

16. TORNILLO DIN.912 M6x40

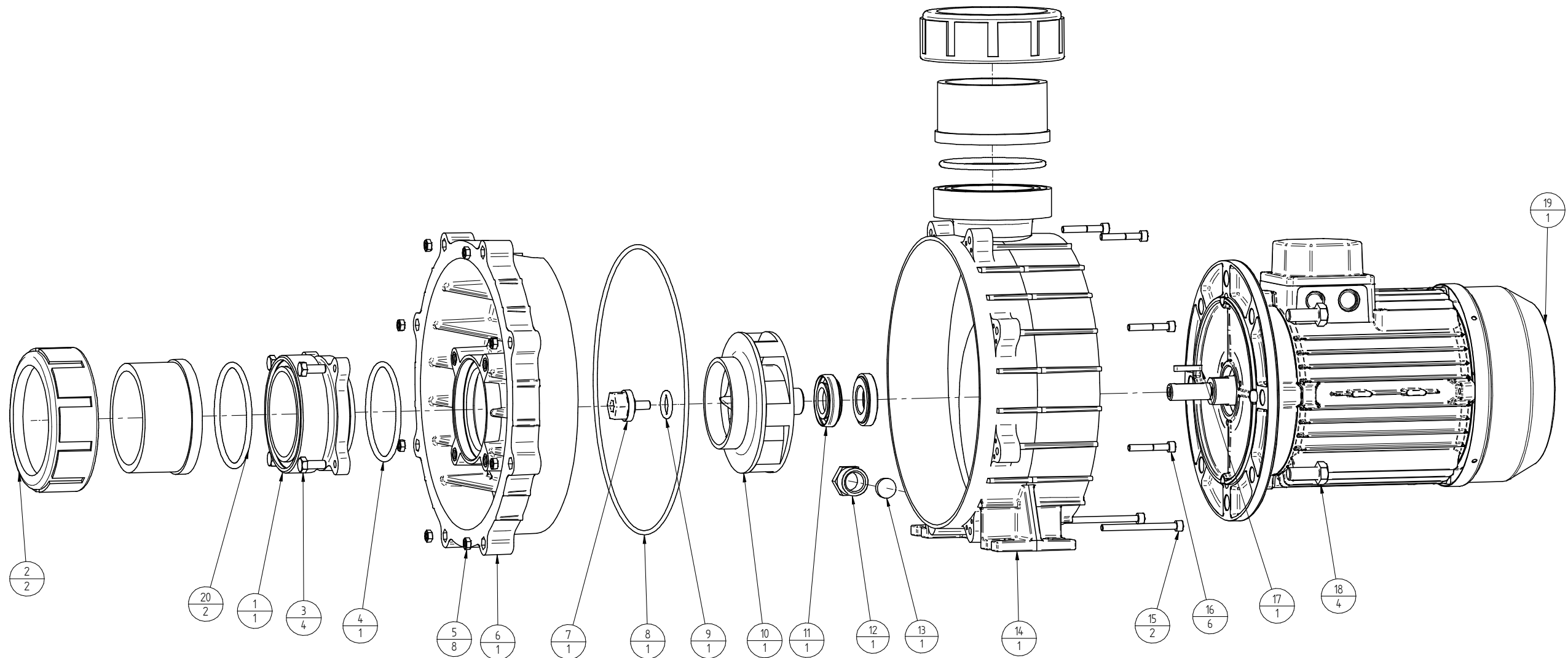
17. CHAVETA DIN.6885 5x5x28

18. TORNILLO DIN.933 M12x30

19. MOTOR IE3 2850rpm

20. Oring 91,44 x 5,33

BRAVUS



1. SUCTION FITTING

2. FITTING KIT

3. SCREW DIN.933 M8x20

4. Oring 86 x 5

5. NUT DIN.934 M6

6. PUMP BODY COVER

7. IMPELLER PLUG

8. Oring 270 x 4

9. Oring 18 x 4,5

10. IMPELLER

11. MECHANIC SEAL D27

12. DRAIN PLUG 1/2'

13. FLAT SEAL DRAIN PLUG

14. PUMP BODY

15. SCREW DIN.912 M6x75

16. SCREW DIN.912 M6x40

17. KEY DIN.6885 5x5x28

18. SCREW DIN.933 M12x30

19. MOTOR IE3 2850rpm

20. Oring 91,44 x 5,33