



HEATING, AIR CONDITIONING SYSTEMS, SOLAR PANEL AND HOT WATER SYSTEMS

Circulating pumps with in-line **connections**, suitable for civil and industrial installations for heating, air-conditioning and hot water for **domestic use**.

Pump body and motor support in cast iron for ALM 500 and ALP 2000 and in bronze for ALM 200 and ALP 800. Technopolymer impeller and carbon/ceramic mechanical seal. Two-pole, asynchronous motor for the ALP version and four-pole for the ALM version.

Built-in thermal and current overload protection and a capacitor permanently on in the single-phase version. Three-phase motors should be protected with a suitable overload protection complying with the regulations in force.

Operating range: from 0,6 to 8,4 m³/h with head up to 21 metres.

Liquid temperature range: from +15°C to +120°C.
Pumped liquid characteristics: clean, free from solids or abrasive substances, not viscous, not aggressive, not crystallised, chemically neutral, close to the characteristics of water.

Maximum ambient temperature: + 40°C

Maximum working pressure: 10 bar (1000 kPa).

Protection level: IP 55

Insulation class: F

TECHNICAL DATA - 200 / 800 Single



ALM - 1400 r.p.m 1/min - 4 poles
 ALP - 2800 r.p.m 1/min - 2 poles

MODEL	ELECTRICAL DATA								
	VOLTAGE 50 Hz	MOTOR TYPE	n r.p.m. 1/min	P1 MAX kW	P2 NOMINAL		In A	CAPACITOR	
					kW	HP		µF	VC
ALM 200 M	1x220-240V ~	4 POLES	1480	0,14	0,059	0,08	0,7	8	450
ALM 200 T	3 x 230V ~	4 POLES	1475	0,08	0,059	0,08	0,53-0,3	-	-
	3 x 400V ~								
ALP 800 M	1x220-240V ~	2 POLES	2925	0,24	0,37	0,5	1,4	10	450
ALP 800 T	3 x 230V ~	2 POLES	2915	0,20	0,37	0,5	1,2-0,7	-	-
	3 x 400V ~								

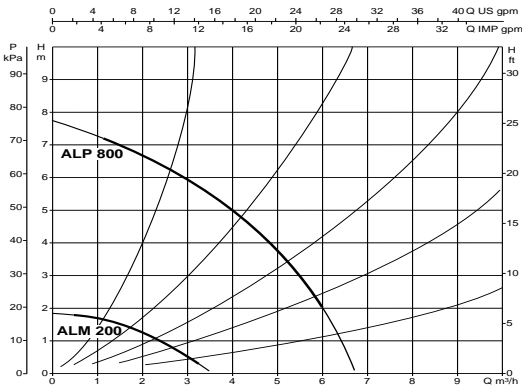
TECHNICAL DATA - 500 / 2000 Single



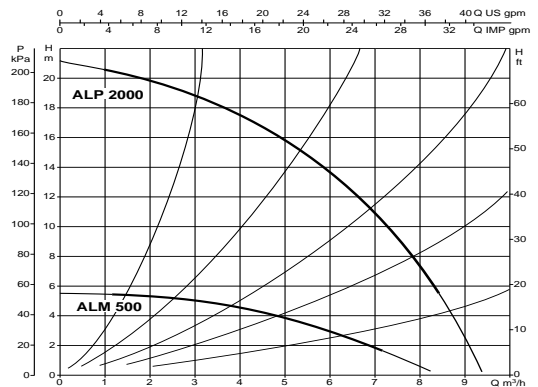
ALM - 1400 r.p.m. 1/min - 4 poles
 ALP - 2800 r.p.m 1/min - 2 poles

MODEL	ELECTRICAL DATA								
	VOLTAGE 50 Hz	MOTOR TYPE	n r.p.m. 1/min	P1 MAX kW	P2 NOMINAL		In A	CAPACITOR	
					kW	HP		µF	VC
ALM 500 M	1x220-240V ~	4 POLES	1425	0,22	0,25	0,33	1	8	450
ALM 500 T	3 x 230 - 400V ~	4 POLES	1465	0,19	0,25	0,33	1-0,6	-	-
ALP 2000 M	1x220-240V ~	2 POLES	2870	0,75	0,55	0,75	3,7	16	450
ALP 2000 T	3 x 230 - 400V ~	2 POLES	2830	0,66	0,55	0,75	2,3-1,3	-	-

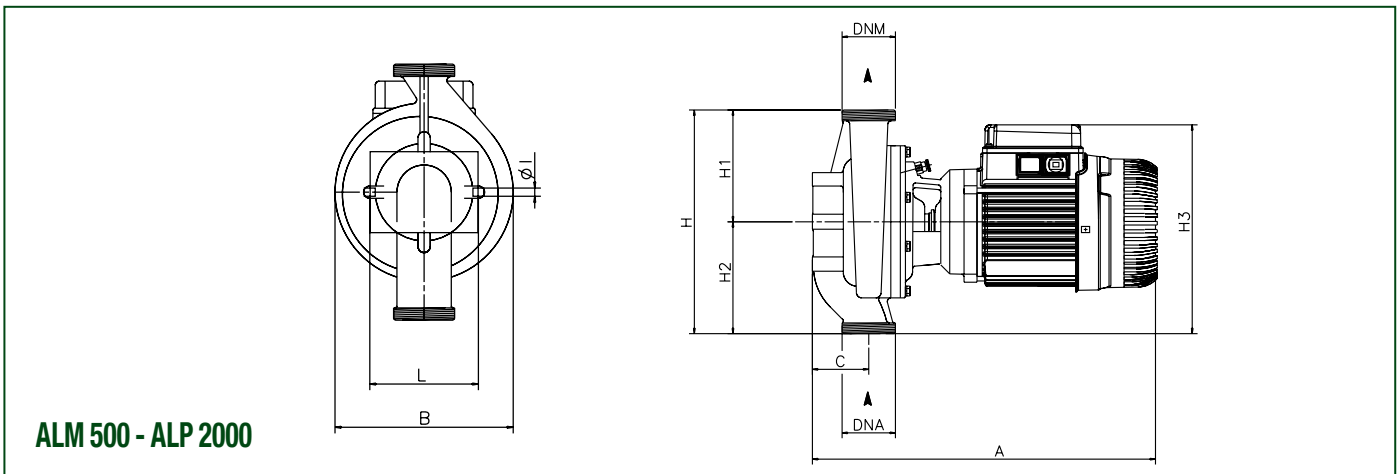
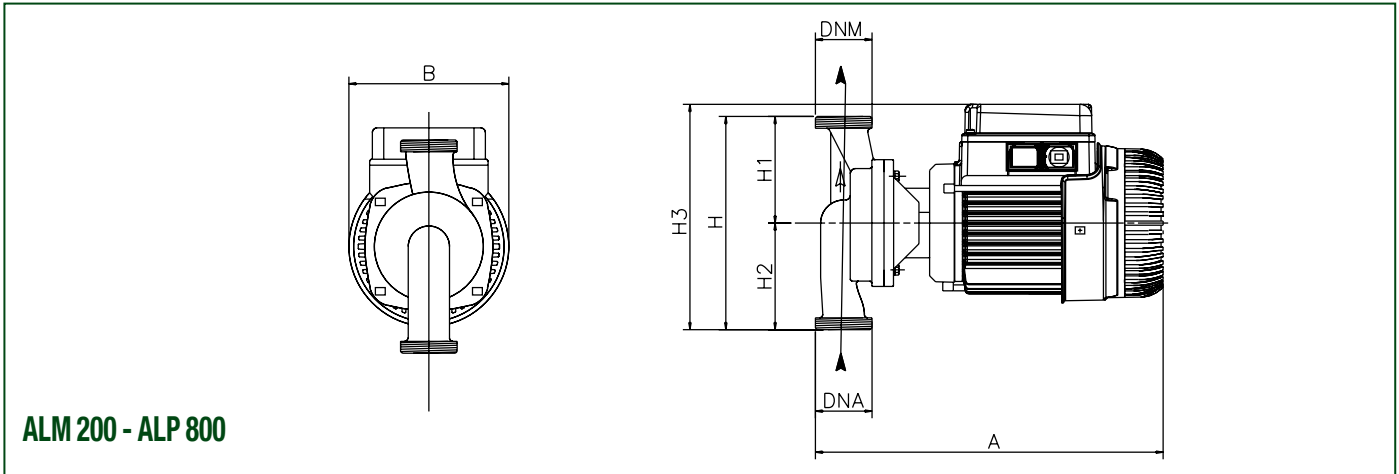
ALM 200 - ALP 800



ALM 500 - ALP 2000



DIMENSIONS AND WEIGHTS



MODEL	A	B	C	L	Ø	H	H1	H2	H3	DNA NPT	DNM NPT	PACKAGING DIMENSIONS			WEIGHT KG	Q.TY X PALLET
												L/A	L/B	H		
ALM 200	300	136	-	-	-	180	90	90	190	1 1/2" G-M	1 1/2" G-M	332	202	257	39	7,5
ALP 800	300	136	-	-	-	180	90	90	190	1 1/2" G-M	1 1/2" G-M	332	202	257	39	7,5
ALM 500	386	174	63	95	8	250	125	125	235	2" G-M	2" G-M	492	232	292	21	14,5
ALP 2000	386	174	63	95	8	250	125	125	235	2" G-M	2" G-M	492	232	292	21	14,5